

PLUMBERS INSTALLATION INSTRUCTIONS

Important Information

- * Not suitable for gravity feed systems.
- * Basin outlet is fitted with a flow regulated aerator insert. This low flow rate may not be suitable for connection to some Instantaneous Gas Water Heaters, some Tempering Valves, some Solar Water Heaters & some Thermostatic Mixing Valves. Check with the manufacturers of these products. For applications where flow regulation is not suitable (e.g. bath) a full flow aerator insert has been provided within the packaging. To convert the basin outlet to a bath outlet, refer to 'Replacing Aerator Insert'
- * All pipework must be thoroughly flushed prior to installation, as foreign materials may block the flow regulating device and reduce the flow of water.

Installation

- 1) Fit the cover plate (1) over threaded nipple (2) and check that the thread is the correct length, as shown (Fig.1). Cut to length if required ensuring end face is square. Apply thread tape to the thread.
Important : Care must be taken that thread tape cannot become dislodged and block the flow regulating device, causing a reduction in water flow. To ensure correct installation, length of exposed thread must not exceed 10mm.
- 2) Locate the cover plate (1) on the threaded nipple (2) by while keeping the top face horizontal and screw the spigot (3) onto the threaded tube (2) using a 10mm allen key (4) until the cover plate (1) is held securely against the wall/tile face. DO NOT OVERTIGHTEN. Apply suitable lubricant to 'O'Rings on adaptor (3).
- 3) Fit wall outlet (5) onto the spigot (3), then carefully push it firmly against the cover plate while tightening grub screws (6) using the 2mm allen key (7) provided after ensuring that the top face of the outlet is horizontal.

Replacing Aerator Insert

- 1) Carefully remove aerator (8) from outlet (5), using spanner(9) taking care not to damage the decorative finish.
- 2) Remove aerator insert (8) and check that inside of outlet is clean. Deposits of lime can be removed by washing in a vinegar solution.
- 3) Fit new aerator insert (8) then screw it into outlet (5) and tighten securely by using spanner (9).

IMPORTANT
<u>Pressure & Temperature Requirements.</u>
<ul style="list-style-type: none"> • Hot and cold water inlet pressures should be equal. • Static inlet pressure range : 150 -1000 kPa New Regulation :-500 kPa maximum static pressure at any outlet within a building. (Ref. AS/NZS 3500.1) • Maximum hot water temperature : 80°C.

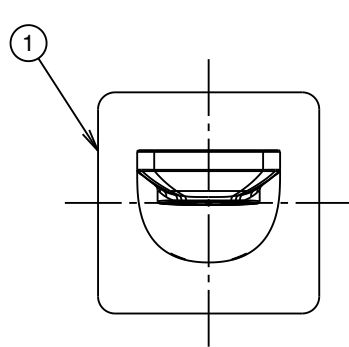


Fig. 2

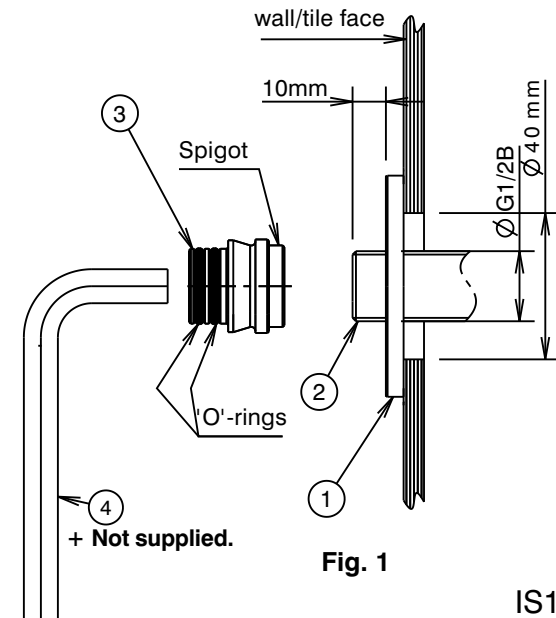
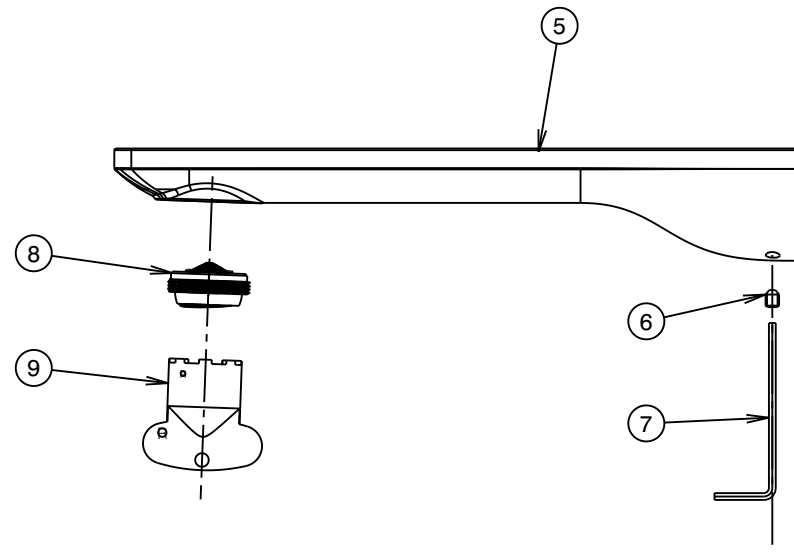


Fig. 1