

Caroma® 'G' SERIES PLUS- WALL SINK EXPOSED SET

WATER EFFICIENT TAPWARE

PLUMBERS INSTALLATION INSTRUCTIONS

Important Information

- * Not suitable for gravity feed systems.
- * It is recommended that the outlet (19) be fitted prior to installing the breech (11). (see Fig.5, Sht 2).
- * The outlet is fitted with a flow regulated aerator insert.
- * All pipework must be thoroughly flushed prior to installation, as foreign materials may block the flow regulating device and reduce the flow of water.
- Note: Aerator insert housing must be retightened to prevent removal by hand.
- * G1/2B inlet nipples (16) must be square to wall/tile face and mounted accurately with the correct distance apart (Fig.1) to ensure a satisfactory installation.

IMPORTANT	
Pressure & Temperature Requirements.	
• Hot and cold water inlet pressures should be equal.	
• Static inlet pressure range : 150 -1000 kPa	
New Regulation : -500 kPa maximum static pressure at any outlet within a building.(Ref. AS/NZS 3500.1)	
• Maximum hot water temperature : 80°C.	
Deck Requirements	
• Centre distance between inlet nipples :200±9mm	

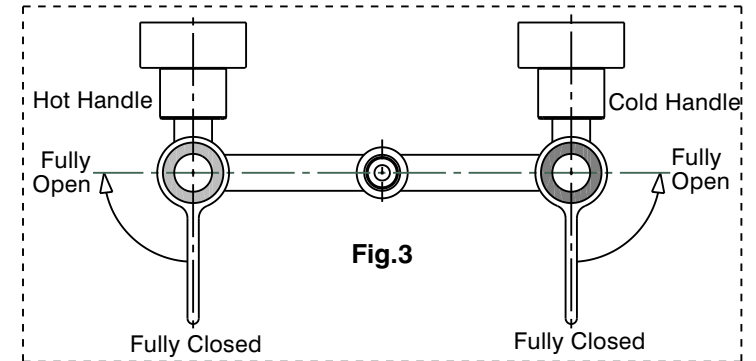


Fig.3

- 6) With cartridge spindles in the fully closed position (Fig.3 or 4), fit inserts (6) onto spindles then check that lever of handles (1) are in correct alignment with each other when fitted to handle inserts (6). For small adjustments to handle position, cartridge (8) can be rotated **slightly** in an anti-clockwise direction until handles are aligned before tightening locknut (7). Remove handles (1) then fit washers (5) & nuts (4) to thread of spindles and tighten to secure inserts (6). Align handles (1) as before then engage with insert (6) & tighten screw (2) with 2mm allen key (3).

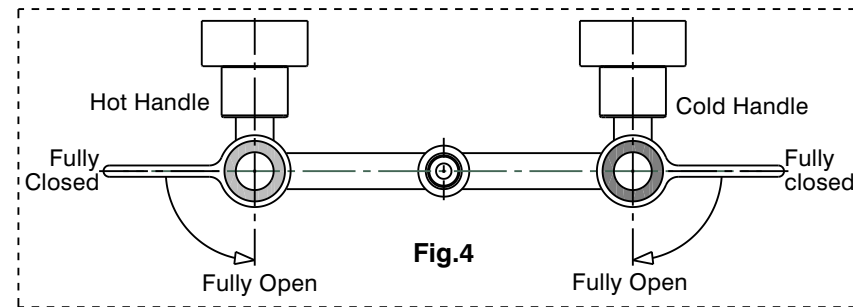


Fig.4

Installation (Fig.1, 2 & 3 or 4)

- 1) Check that threaded nipples (16) are the correct length, as shown (Fig.2). Cut to length if required ensuring end face is square. Apply thread sealant or tape to the thread. **Important:** Care must be taken that thread tape cannot become dislodged and block the flow regulated device, causing a reduction in water flow.
- 2) Screw connector (15) onto each inlet nipple (16) using a 10mm allen key (not supplied). Each connector (15) should be tightened equally until the correct centre distance (Fig.1) is achieved & the breech (11) is horizontal. Use the breech (11) to check for correct installation & adjust the connectors (15) accordingly.
- 3) Apply suitable lubricant to the 'O' Rings on the spigot of connectors (15). Fit the adaptors (12) of the breech (11) equally onto the spigots of connectors (15) until they contact the connector front face then tighten screws (13) using a 2.5mm allen key.
- 4) Determine handle closing position. **Forward closing lever handles** (ideal for opening using elbows) (Fig.3). Proceed to step 6. **Outward closing lever handles** (more suitable for opening by hand) (Fig.4). Proceed to step 5.
- 5) Remove locknuts (7) and fibre washers from cartridges (8). Unscrew cartridges (8) from breech bodies (10). Screw cartridge (8) (with red seal 9) into left hand 'hot side' breech body (10). Using a suitable spanner, tighten cartridge (8) until it comes to a firm stop (DO NOT TIGHTEN CARTRIDGE USING SPINDLE). Fit fibre washer & then locknut (7) and tighten using a suitable spanner, taking care not to damage the thread. Fit cartridge (8) (with blue seal 9) into right hand 'cold side' breech body (10) in a similar manner.

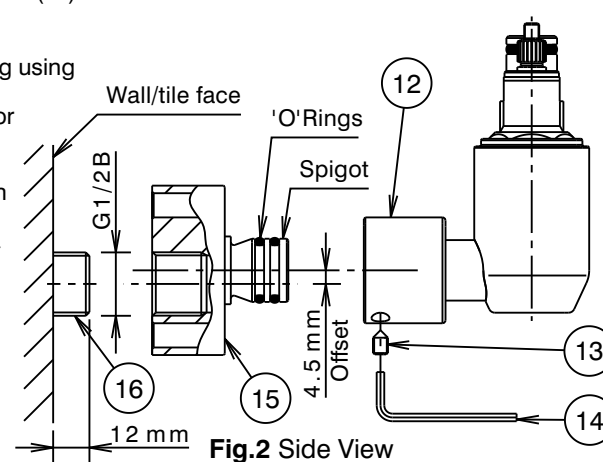


Fig.2 Side View

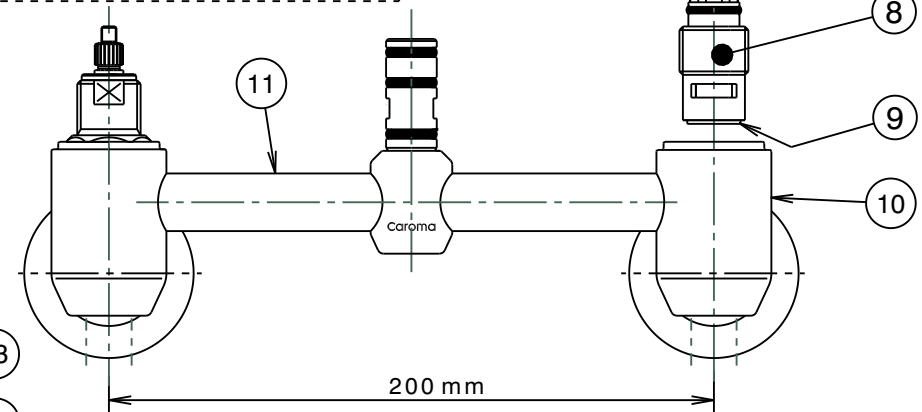
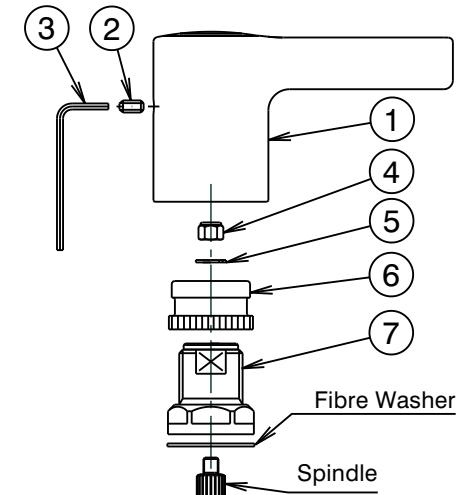


Fig.1 Front View



Caroma® 'G' SERIES PLUS- WALL SINK EXPOSED SET

WATER EFFICIENT TAPWARE

PLUMBERS INSTALLATION INSTRUCTIONS

Installing the outlet (Fig.5)

Determine if the outlet (19) is to be fixed or swivel.

- 1) For a fixed outlet select the retainer (18a) or if 100°restricted swivel is required select the smaller retainer (18b). Fit the retainer (18a or 18b) into the spigot groove, as shown.
- 2) Ensure suitable lubricant is applied to the retainer & 'O' rings, then carefully slide the outlet (19) onto the spigot of breech (11). Rotate the outlet (19) to align the hole in the outlet with the threaded hole in the retainer (18a or 18b) then fit screw (17a or 17b) and tighten using the 2mm allen key (3).
Important: The correct retainer/screw combination must be used (18a/17a) or (18b/17b), as shown.

Changing the indicator (Fig.6)

- 1) Loosen screw (2) using a 2mm allen key (3) & remove handle (1). Remove screw (23) & washer (24) using a 3mm allen key. Push out retainer (26) & indicator (25).
- 2) Push in new indicator (25) followed by retainer (26). Assemble screw (23) with washer (24) then screw into the retainer (26) & tighten with the 3mm allen key. Align handle (1) as before then engage with insert (6) & tighten screw (2) with 2mm allen key (3).

Cleaning the Aerator Insert (Fig.5)

- 1) Carefully remove housing (20) from outlet tube (19), taking care not to damage the decorative finish.
- 2) Remove 'O'ring (22) & aerator insert (21) from housing (20). Check that housing is clean. Deposits of lime can be removed by washing in a vinegar solution.
- 3) Fit aerator insert (21) into housing (20) followed by 'O'ring (22) then screw assembly onto outlet tube (19) & tighten securely (to prevent removal by hand).

