

CARINA

SQUARE COUNTER TOP BASIN - Premium Vitreous China, Matte Black & High Gloss White

The Carina square counter top basin features an ultra thin edge & is designed to be mounted on top of a vanity or counter top bench. It has no tap hole so it needs to be combined with a vessel mixer mounted on to the bench top or wall basin mixer, to give a luxurious modern style.

Pop-up plug & waste

Taphole

Overflow

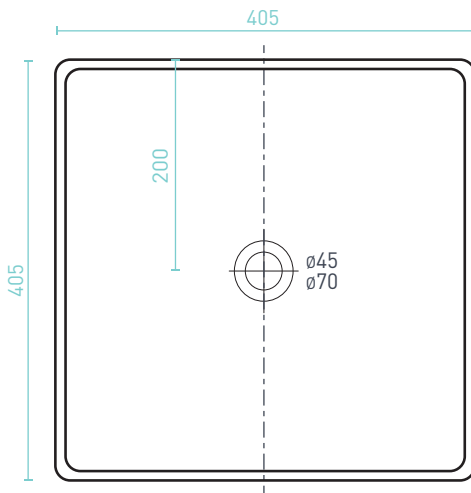


CARINA SQUARE COUNTER TOP BASIN

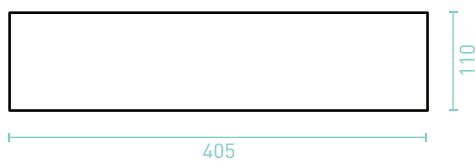
SIZE (l x (w) x (h) mm	CAPACITY	NET WEIGHT	CODE
405 x 405 x 110	9.5L	9kg	CABCTW White
405 x 405 x 110	9.5L	9kg	CABCTB Black

• 10 YEAR WARRANTY*

FRONT VIEW



TOP VIEW



CARINA

SQUARE COUNTER TOP BASIN - Premium Vitreous China, High Gloss White

The Carina square counter top basin features an ultra thin edge & is designed to be mounted on top of a vanity or counter top bench, combined with a vessel or wall basin mixer.

Chrome pop-up plug & waste

Taphole

Overflow

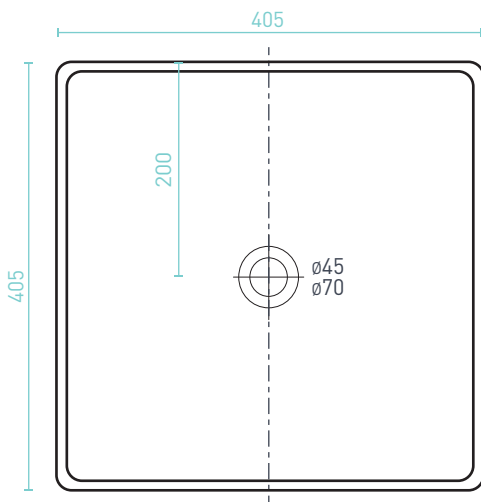


CARINA SQUARE COUNTER TOP BASIN

SIZE (l x (w) x (h) mm	CAPACITY	NET WEIGHT	CODE
405 x 405 x 110	9.5L	9kg	CABCTW

- 10 YEAR WARRANTY*

FRONT VIEW



TOP VIEW



CARINA

SQUARE COUNTER TOP BASIN - Premium Vitreous China, Matte Black

The Carina square counter top basin features an ultra thin edge & is designed to be mounted on top of a vanity or counter top bench, combined with a vessel or wall basin mixer.

Chrome pop-up plug & waste

Taphole

Overflow

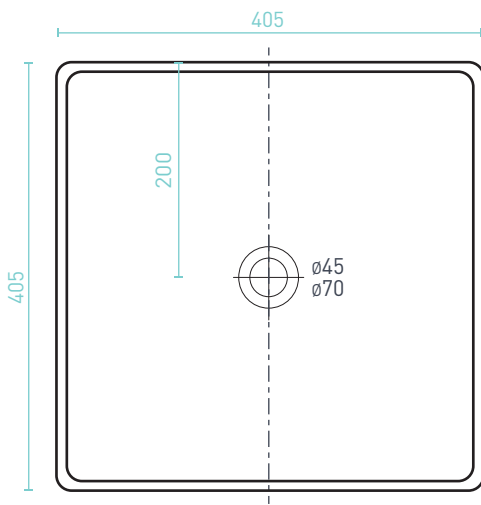


CARINA SQUARE COUNTER TOP BASIN

SIZE (l x (w) x (h) mm	CAPACITY	NET WEIGHT	CODE
405 x 405 x 110	9.5L	9kg	CABCTB

- 10 YEAR WARRANTY*

FRONT VIEW



TOP VIEW

