

# Carina Semi-Inset Square Basin



Product Code: **CABSIW**

The Carina square semi-inset basin features an ultra thin edge & is designed to be partially installed into a vanity or counter top. Combine with a basin mixer mounted on top of the basin, which saves counter top space & is easier to clean.

- AS/NZ Standard AS1172.4.2019
- Semi-inset basin
- Taphole
- Ultra-thin edge



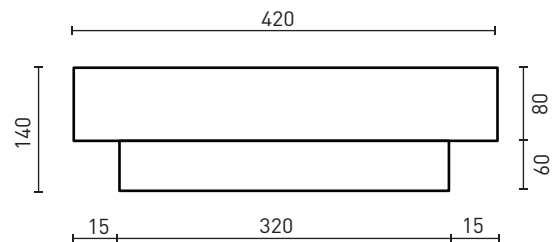
## PRODUCT SPECIFICATIONS

Colour:	High gloss white
Material:	Premium vitreous china
Length:	420mm
Width:	420mm
Height:	140mm
Capacity:	7.8L
Basin Type:	Semi-inset
Net Weight:	8kg
Warranty:	10 years* (refer to decina.com.au)

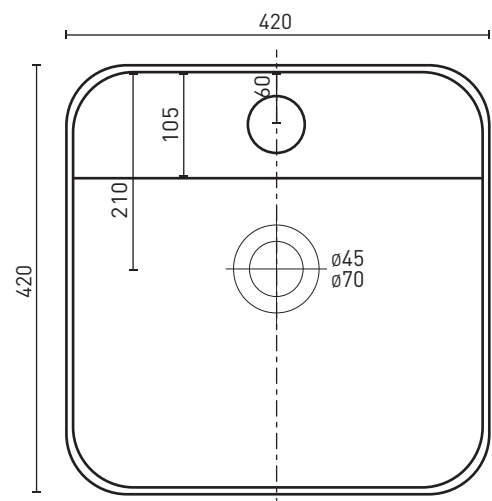
## OPTIONAL ACCESSORIES

- 32mm pop-up basin waste - chrome **WA004**
- 32 X 40mm Quattro pop-up basin waste - chrome **WA005**
- 32mm pop-up basin waste - gloss white **WA006**

FRONT VIEW



TOP VIEW



**DECINA**  
DISCOVER INDULGENCE

[DECINA.COM.AU](https://www.decina.com.au) 1300 DECINA

\*Warranty T&Cs apply, visit [decina.com.au](https://www.decina.com.au) Decina reserves the right to change specifications without notice. Due to manufacturing tolerances dimensions may vary +/- 5mm. We recommend installation does not start until after delivery. Please confirm all particulars prior to purchase, call 1300 DECINA or visit [decina.com.au](https://www.decina.com.au)