

NOVARA

VANITY INSET BASIN - Premium Vitreous China, High Gloss White

The Novara fully inset basin is designed to be installed into a vanity or counter top, with the rim sitting on top, to provide a seamless style. A basin mixer can be mounted in to the taphole in the top of the basin. The overflow at the front of the basin takes any excess water back to the waste.

Chrome pop-up plug & waste

1 Taphole

Overflow

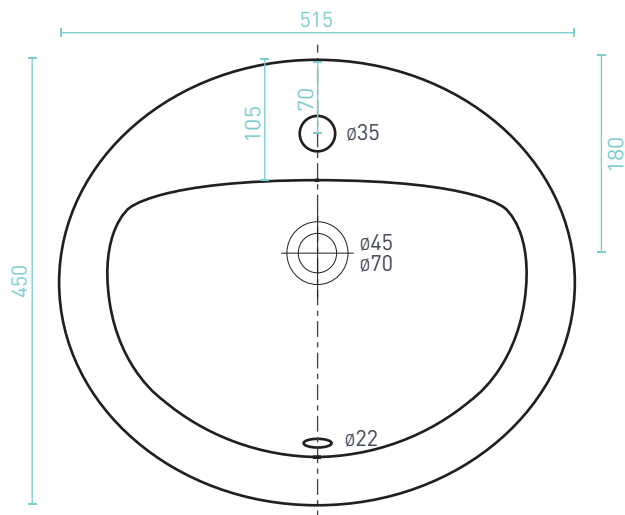


NOVARA VANITY INSET BASIN

SIZE (l x (w) x (h) mm	CAPACITY	NET WEIGHT	CODE
515 x 450 x 195	4.5L	7kg	NOBSIR3

• 10 YEAR WARRANTY*

FRONT VIEW



TOP VIEW

