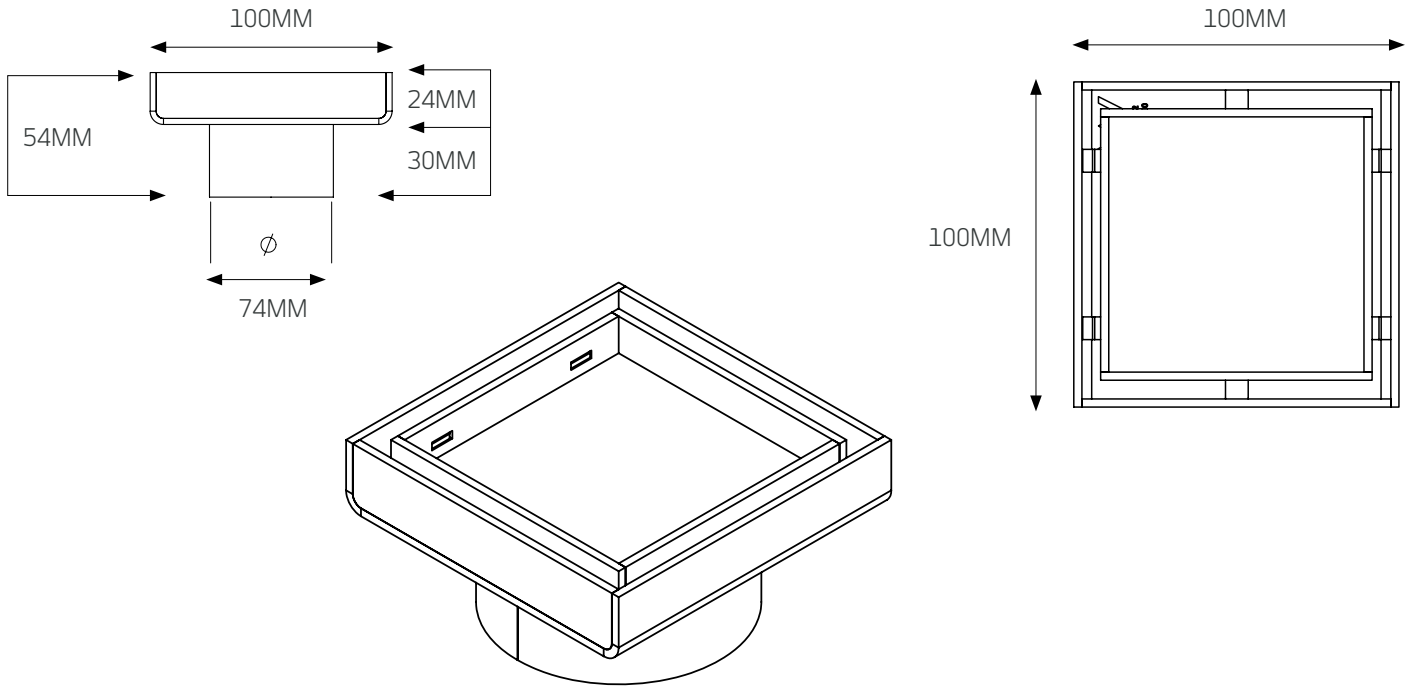





SHOWER GRATES *specifications*

316-RGS-100-74 – 100 x 74mm



FEATURES	CODE	SIZE (MM)	COLOURS
• 316 stainless steel	316-RGS-100-74	100x100x74	Stainless Steel 
• Thickness of stainless steel is 1.2mm	316-BLK-RGS-100-74	100x100x74	Matt Black 
• Australian Watermark approved	316-GLD-RGS-100-74	100x100x74	Brushed Gold 

- 12mm deep insert can accommodate up to 10mm tile + adhesive
- Matt Black has a Teflon finish, Brushed Gold has a PVD finish
- Covered by a 7 year warranty *

The square grates are designed as central bathroom floor wastes and are not recommended to be used in showers with flowing water directly above them.

* The replacement warranty for the coated grates are only applicable until the date of installation. Once Installed any damage to the coatings due to the incorrect use of cleaning products, mis-use or accidental damage, will not be covered under warranty.