



**Jet Floor Standing Mixer**  
(217.108)



**Jet Floor Standing Mixer with Hand Shower**  
(217.113)

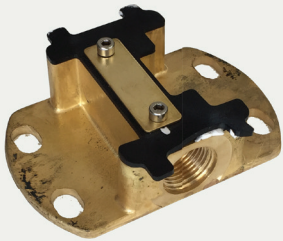


**Isabella Gooseneck Floor Standing Mixer**  
(213.112)



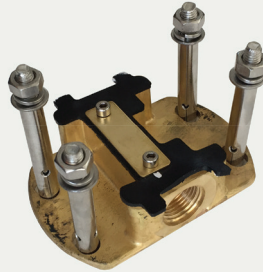
**Isabella Gooseneck Floor Standing Mixer with Hand Shower**  
(213.113)

1



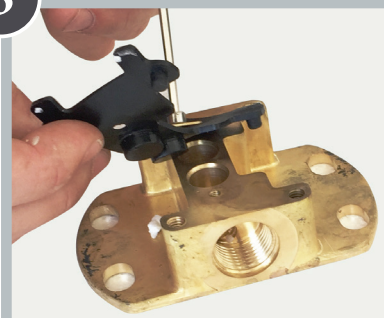
Using the supplied base plate, check that the base connector is square on the floor

2



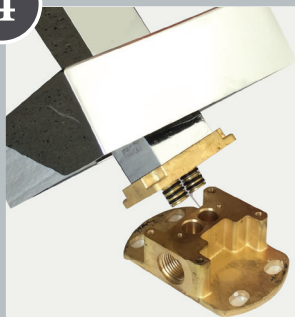
Secure the base to the floor with supplied bolts

3



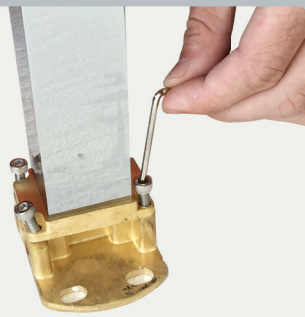
When ready to fit mixer to base, remove rubber seal from top of base plate

4



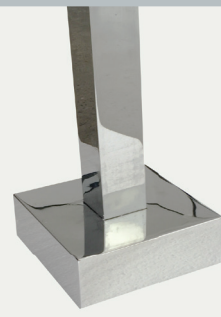
Slide mixer into base connector

5



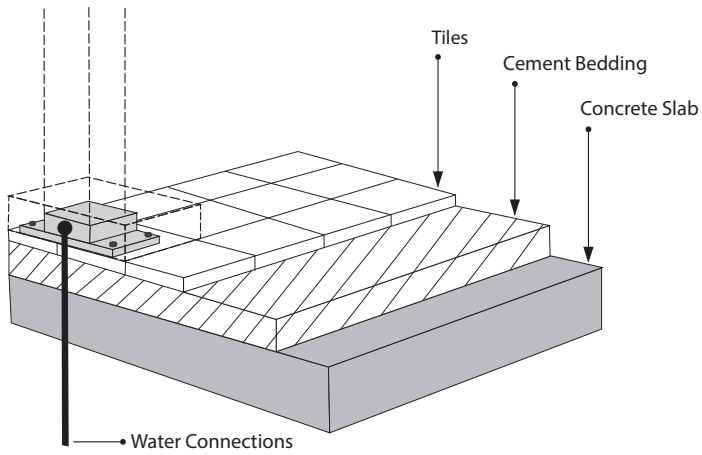
Fix mixer to base with supplied screws

6

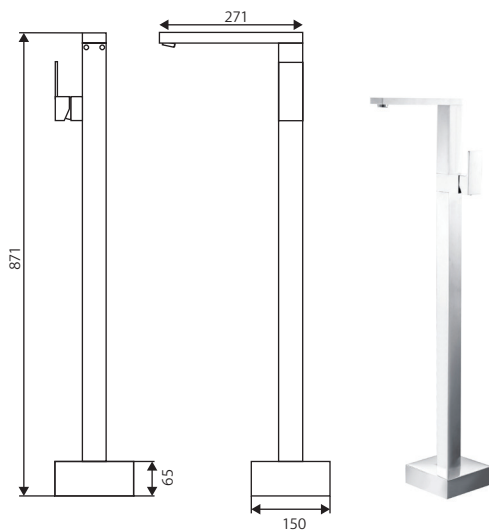
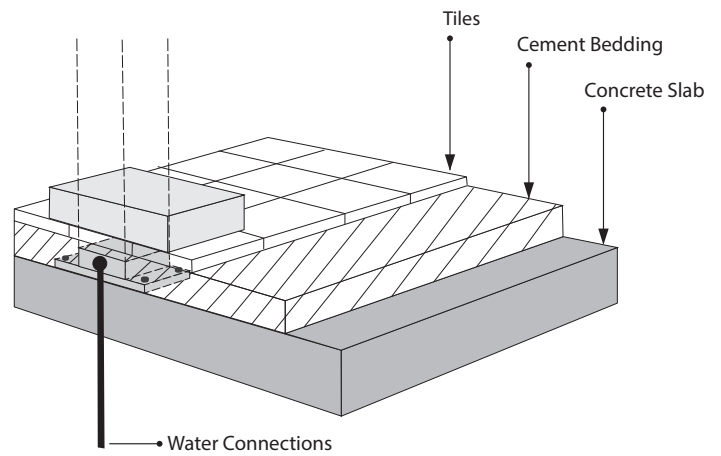


Slide cover flange down to floor after mixer is fixed to base connector

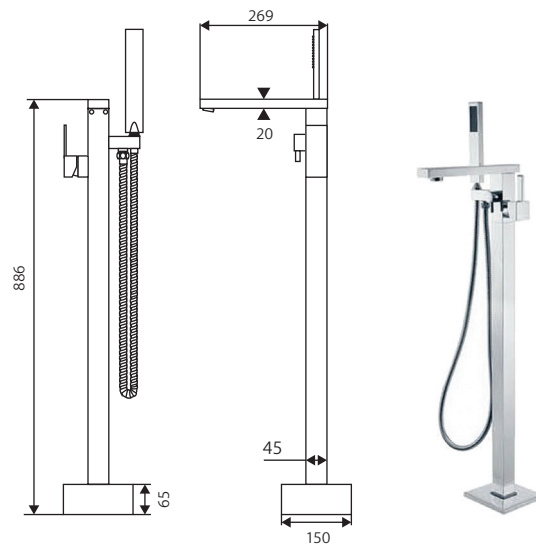
### Above Tile Installation



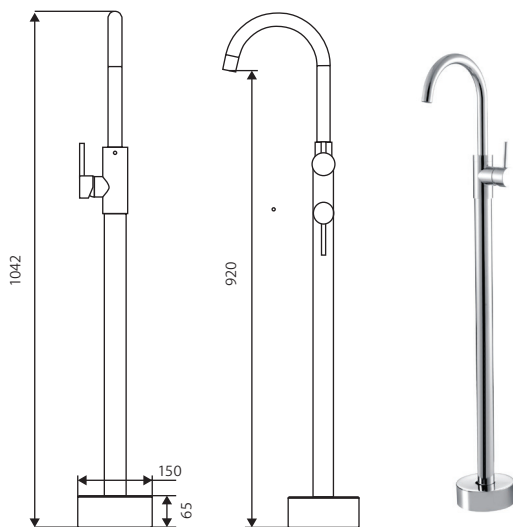
### Below Tile Installation



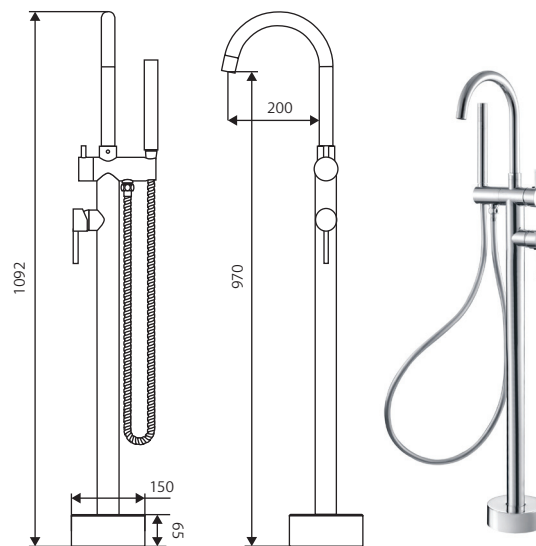
**Jet Floor Standing Mixer (217.108)**



**Jet Floor Standing Mixer with Hand Shower (217.113)**



**Isabella Gooseneck Floor Standing Mixer (213.112)**



**Isabella Gooseneck Floor Standing Mixer with Hand Shower (213.113)**