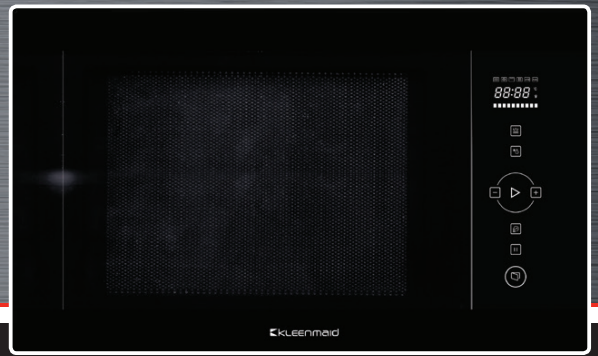


Built in Microwave Quartz Grill Oven 25 Litre



Model: MWG4512K

- Aesthetically designed to complement the OMF6030K all black oven
- ESCT Electronic Sensor Touch Controls
- Electronic opening door
- 25 litre capacity
- Easy to clean **quartz** grill
- 8 pre-set cooking programmes
- Automatic multi-stage cooking
- 5 microwave power settings max of 900W
- 1,000W grill power
- Microwave Quick-Start function
- 2 defrost functions, time/weight
- 2 microwave/grill combi functions
- Child safety lock on controls



Lighting



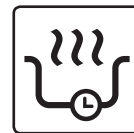
Child Safety Lock



Full Grill



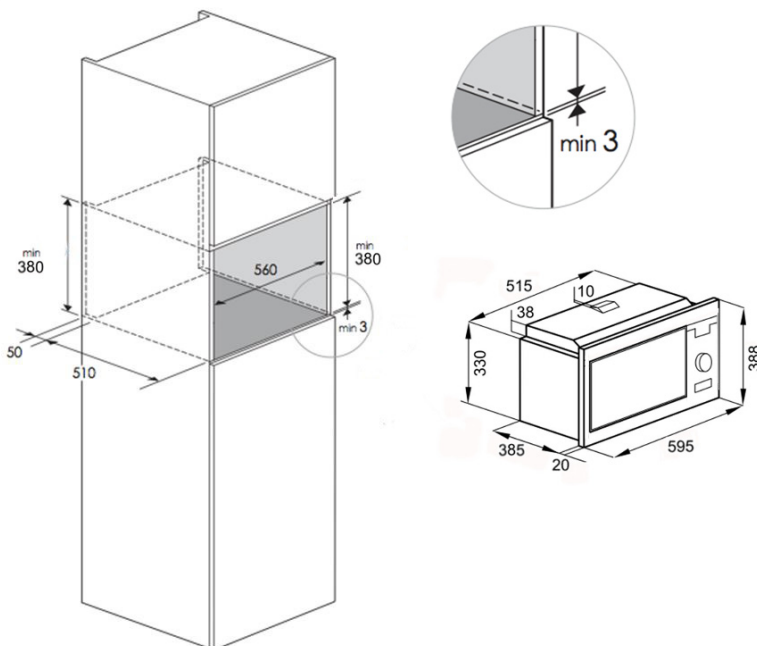
Defrost by weight



Automatic Cooking Programmes



Defrost by time



NOTE: AS THIS MICROWAVE IS A BUILT IN MODEL NO TRIM KIT IS REQUIRED



QUALITY ASSURED

To obtain full installation instructions for this appliance go to kleenmaid.com.au and click on User Care Manuals, top right.

Fineline : 0177413

J12050_01

Level 2, 204 Botany Road, Alexandria NSW, 2015
P: 02 9310 1207 • E: support@kleenmaid.com.au
www.kleenmaid.com.au

KLEENMAID
The best you can own