

ECLIPSE FLEX

WHITE 800
E80DD-MW

BLACK 800
E80DD-MB



Dimension (mm):

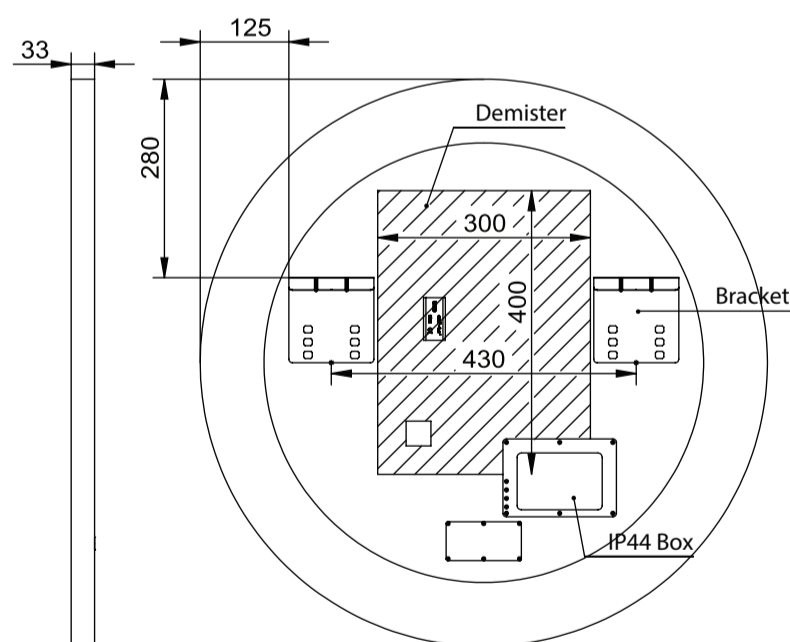
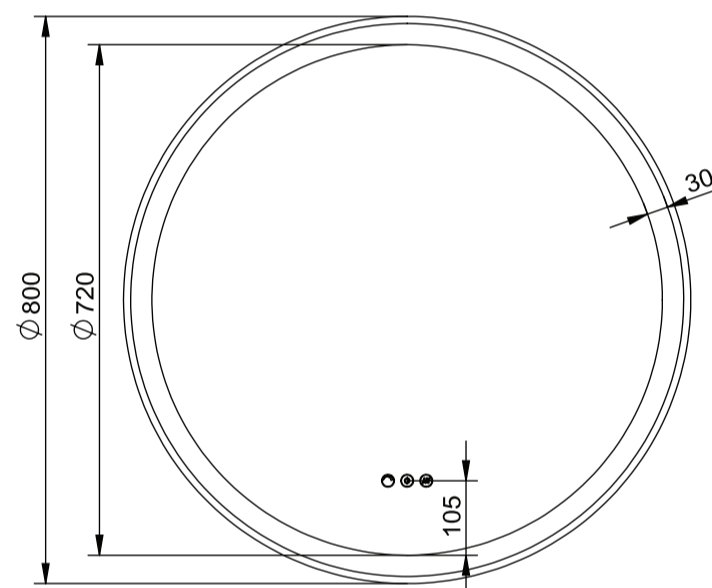
Diameter	800
Depth	33

Features

LED Lighting	✓
Copper Free Mirror	✓
Demister	✓
Dimmable	✓
Adjustable Light Colour	✓

MDF Coloured Frame Options:

Matt White	<input type="radio"/>
Matt Black	<input checked="" type="radio"/>



WARRANTY
5 years

*Conditions apply

To clean this mirror, wipe it with a soft microfiber cloth or a lint free cloth that has been rinsed in warm water and wrung out well, then rub the mirror gently with a soft dry cloth.

PLEASE do not use glass or window cleaner, or other cleaners with chemical agents. These may damage the silver coating and brown marks can result.

Please confirm all particulars with your sales consultant or refer to our website for more information prior to purchase.