



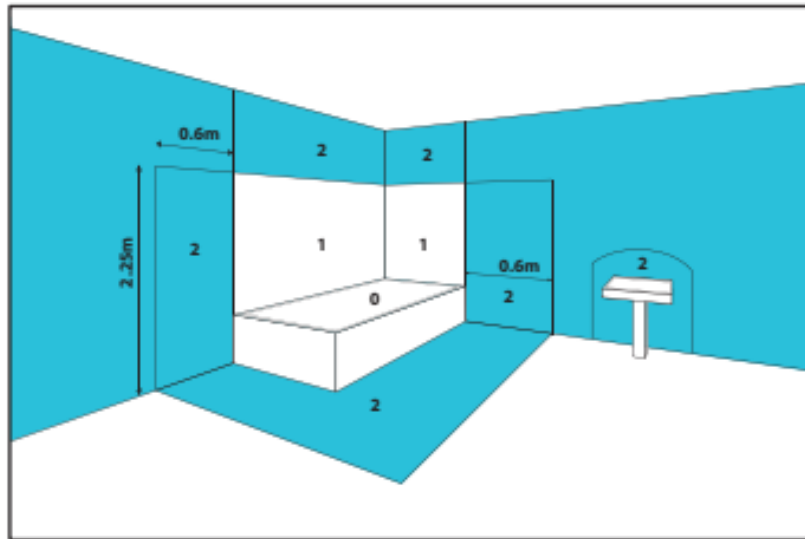
For safety reasons, we kindly ask you to read this installation and user guide before fitting and using the product. The installation shall be carried out by licensed electrician. Please consult with a qualified electrician to confirm appropriate compliant installation location.

Please check contents of package for any damage occurred during shipment. If damage has occurred, please contact reseller or supplier immediately for warranty claim. Once it is installed, supplier and resellers are not liable any damage.

### Handling Tips:

Never place the shaving cabinet on hard surface and always lift it with two people or more.

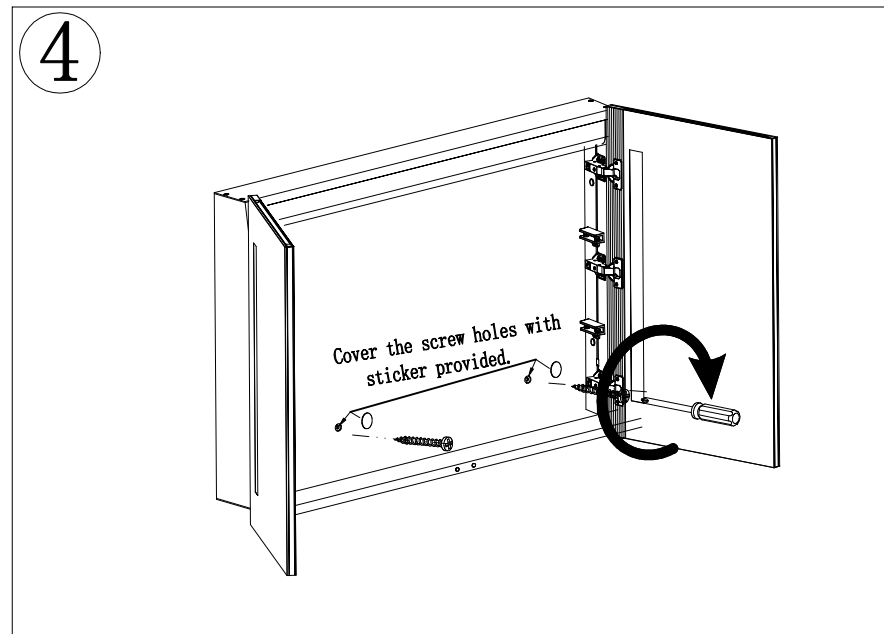
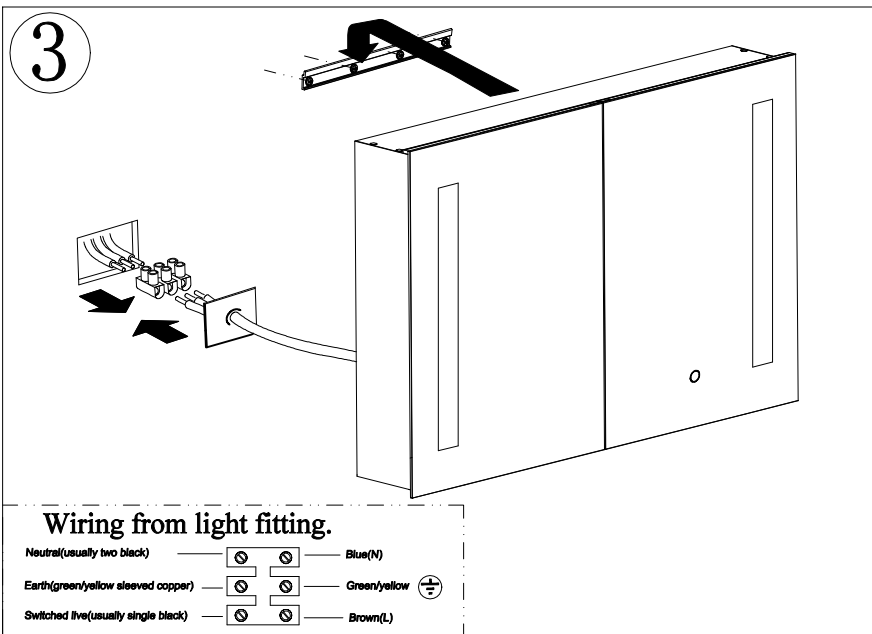
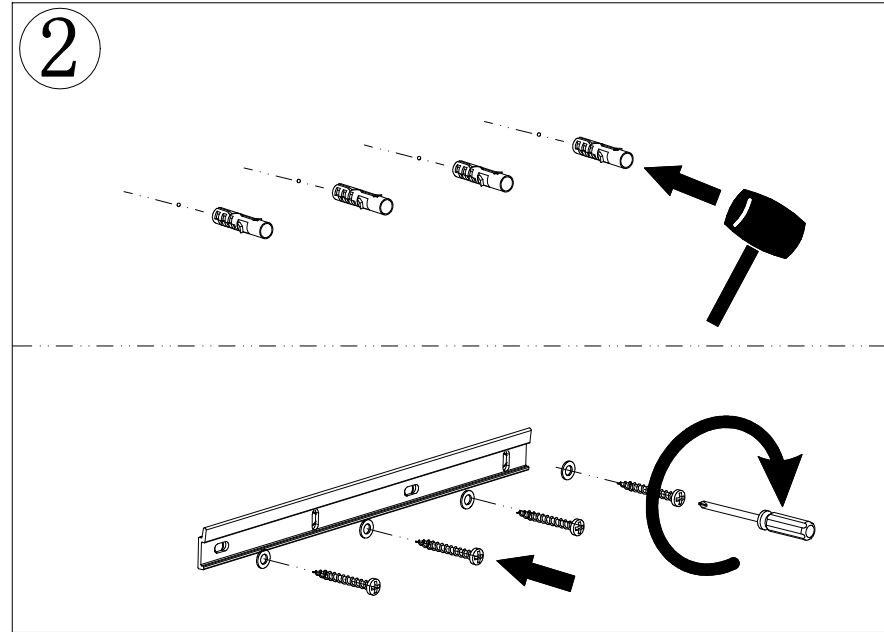
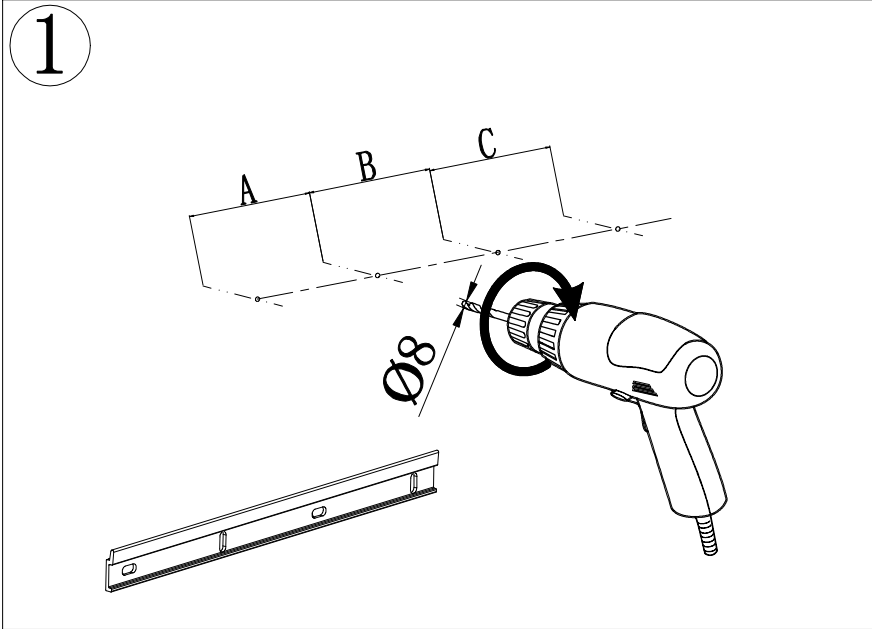
### Zone Diagram



### General information and maintenance

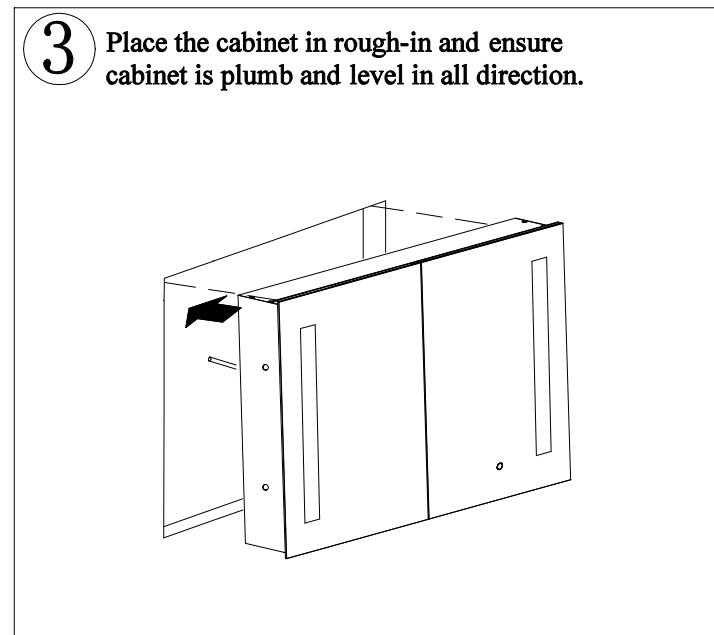
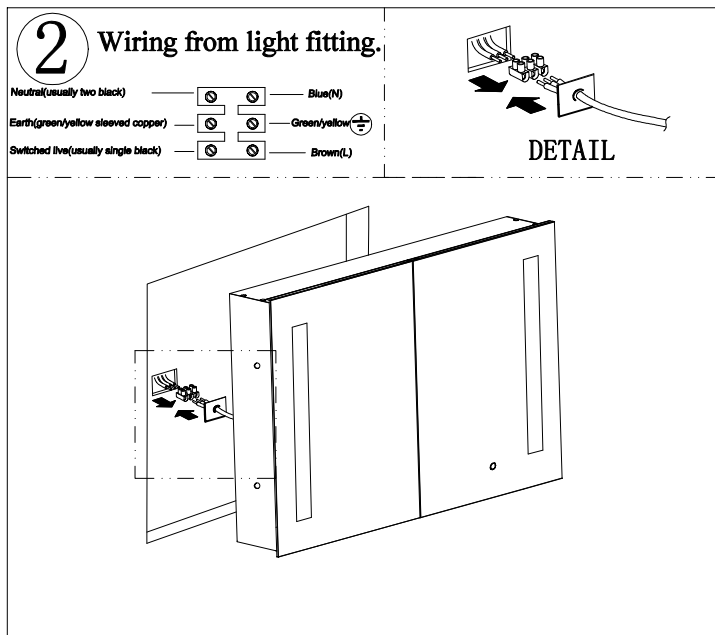
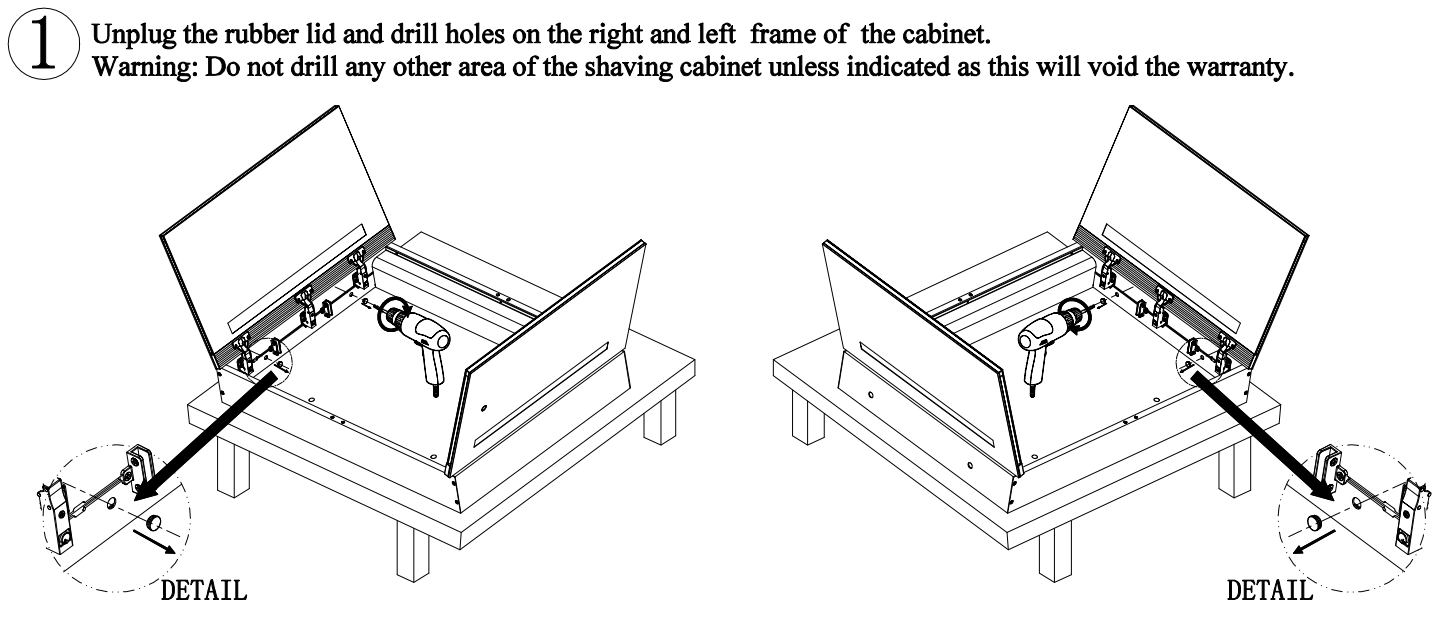
1. Use appropriate wall fixing for your wall type
2. The mirror is suitable for zone 2 or higher. Refer to the zone diagram.
3. Switch off the electrical supply at the mains before the installation and maintenance.
4. Do not leave the mirror on for prolonged period.
5. For cleaning and maintenance, wipe the mirror surface with a few drops of methylated spirits or isopropyl alcohol

\*Diagrams are for guide only. The screws and/or anchor should be suited to the stud material and type of wall.



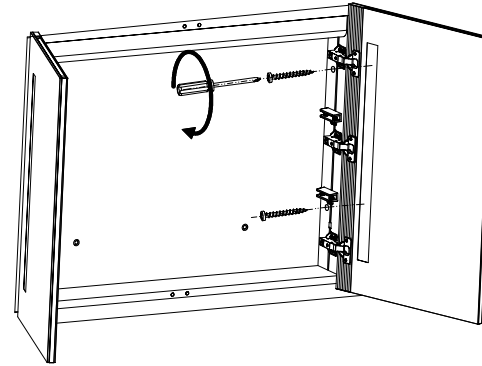
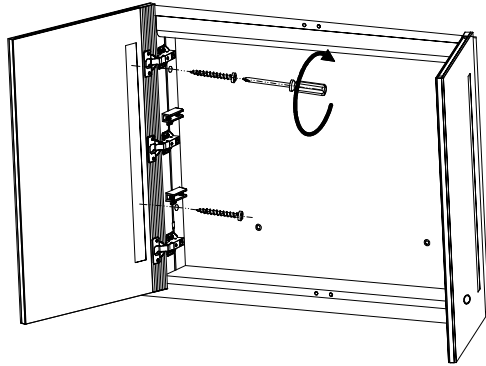
**Recess-mount Installation Instructions**

\*Diagrams are for guide only. The screws and/or anchor should be suited to the stud material and type of wall.

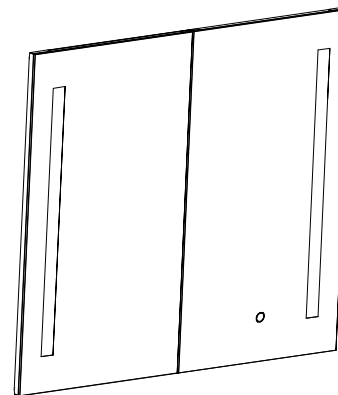
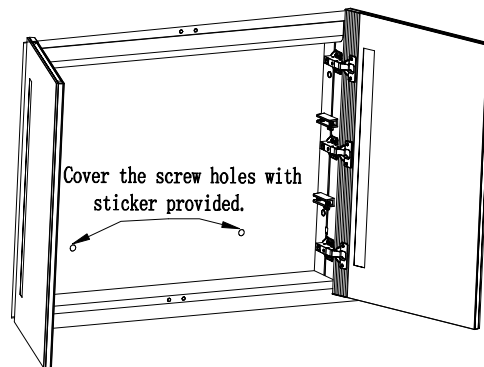


**Recess mounting installation instructions.**

**4** Fix shaving cabinet to both sides of the framed rough-in.



**5** Finish the installation with covering the wall-mount holes with sticker provided.



**Fixing instructions for the adjustable glass shelves.**