

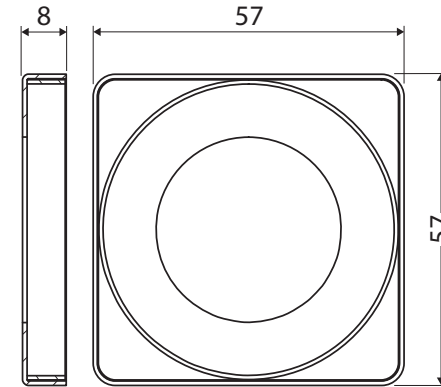
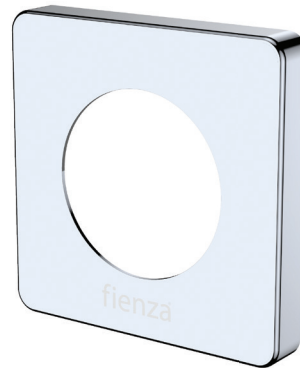
Sansa®

SOFT SQUARE ACCESSORY COVER PLATES

Features

- Styled to match the SANSA range of mixers

Please Note: These products may have a visible Fienza or Watermark logo.



Available in



Chrome
82811



Brushed Nickel
82811BN



Gun Metal
82811GM



Matte Black
82811MB



Urban Brass
82811UB

Cleaning & Care

- Regularly clean with mild soapy water using a microfibre cloth.
- In highly polluted or coastal locations, we recommend cleaning 2-3 times per week.
- Do not use harsh detergents, bleach, cream cleaners or citrus based cleaners. These substances are abrasive and will damage the surface.
- Do not use undue pressure and wipe in one direction only

While we aim to ensure specifications are correct at the time of publication, Fienza reserves the right to make modifications without prior notice. Physical colour may vary from image shown. All measurements are shown in millimetres. Always use physical product measurements for mark-ups and roughing-in as the technical drawing may differ from actual product received.