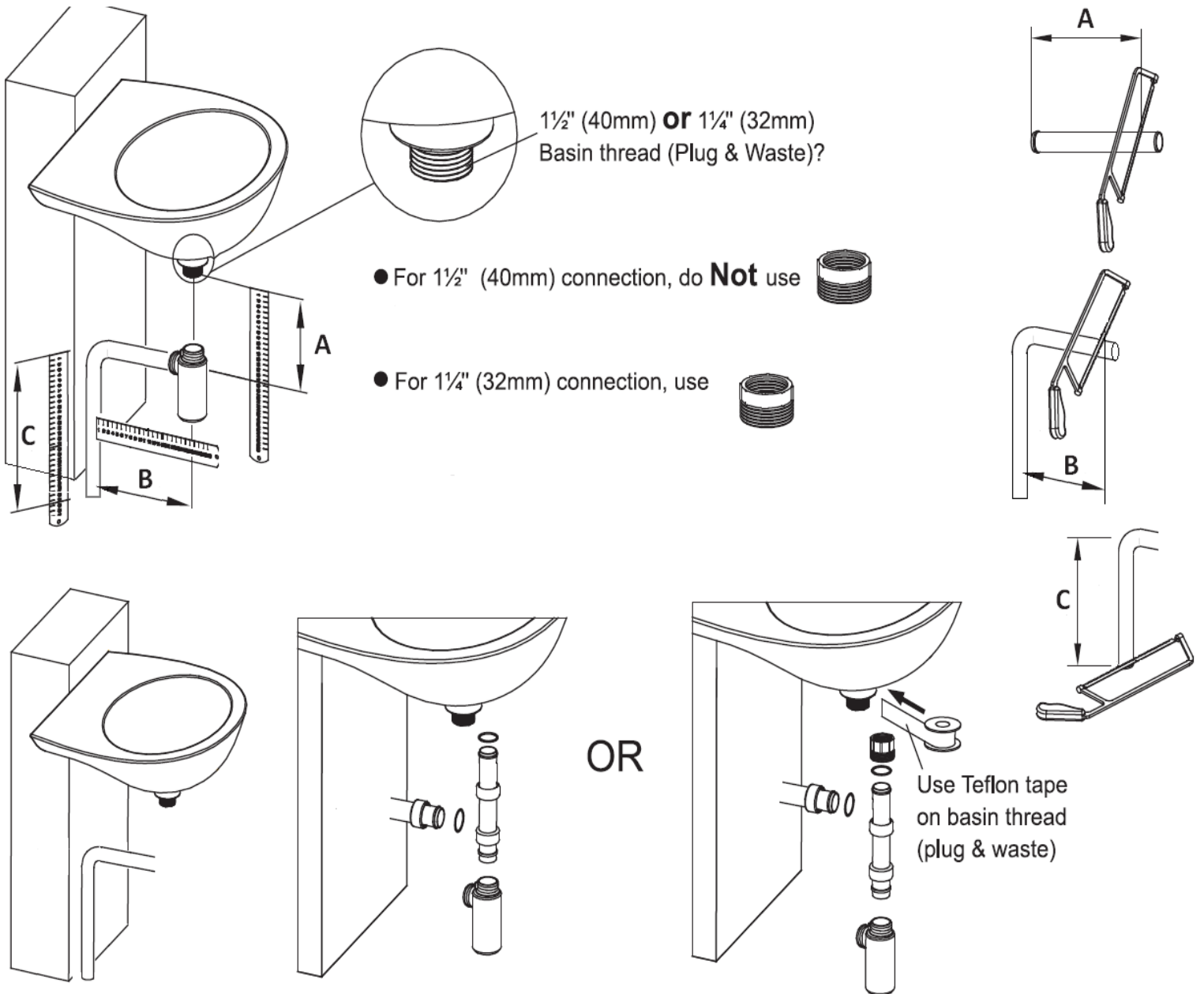


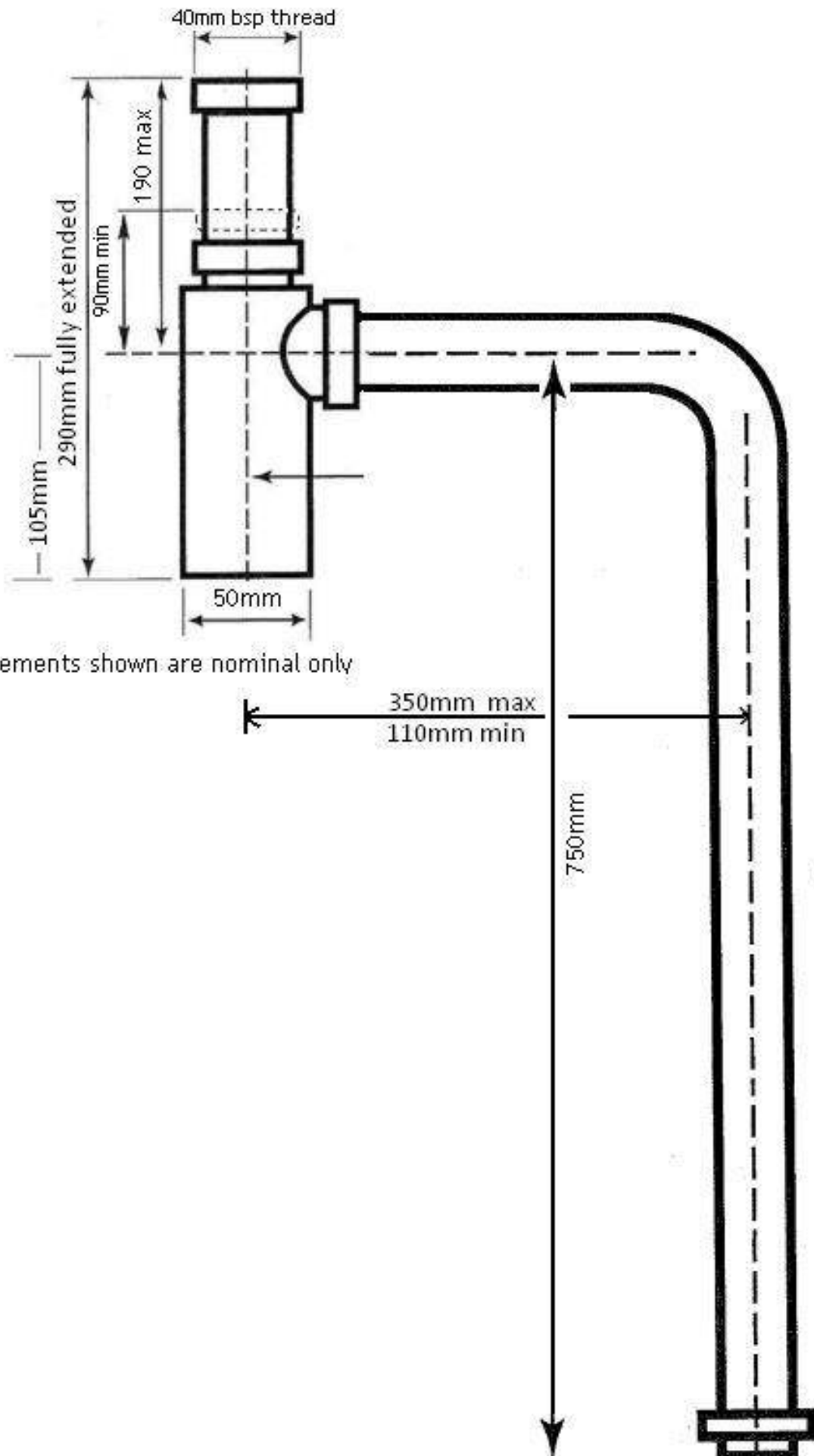


**TURNER  
HASTINGS**  
EUROPEAN BATHWARE

16 McPherson Road, Smeaton Grange, NSW, 2567  
PO Box 7412, Mount Annan, NSW, 2567  
Phone 1300 00 2284  
Fax 02 4647 5564  
ABN 56 263 133 253  
www.turnerhastings.com.au  
info@turnerhastings.com.au

## SLIMLINE ADJUSTABLE BOTTLE S TRAP REF # AU4040BTS





Measurements shown are nominal only