



euro
appliances

refrigeration

**USAGE AND
CARE GUIDE**

PRODUCT CODE:

E150WSCS 1

E430WSCS 1

INDEX

INSTALLATION

Safety Information
Recommendations before loading & plugging in the Wine cooler
Grounding Instructions
Installing your wine cooler
Levelling Your Wine Cooler

OPERATING YOUR WINE COOLER

Defrosting/hygrometry/condensation/ventilation
Temperature setting
Wine Cooler Control panel
Cooling Indicator light
Interior Light
Installing Stainless Steel Handle
Reversing the Door Swing of Wine Cooler
Power Failures and Operation Anomalies

CARE AND MAINTENANCE

Clean the condenser
Care when going on Vacation
Moving your Wine Cooler
Energy saving tips
Recommended Cleaning Product

TROUBLESHOOTING GUIDE

TECHNICAL SPECIFICATIONS

E150WSCS 1 Wine Coolers
E430WSCS 1 Wine Coolers

WIRING DIAGRAM

E150WSCS 1 Wine Coolers
E430WSCS 1 Wine Coolers

DIMENSION DRAWINGS

E150WSCS 1 Wine Coolers
E430WSCS 1 Wine Coolers

SPARE PARTS

Explosive view drawing E150WSCS 1 Wine Coolers
Explosive view drawing E430WSCS 1 Wine Coolers

INSTALLATION

Safety Information

Warning

All electrical work must be carried out by suitably qualified persons

Euro Appliances offers no guarantee for our wine cooler if it is being used for any purpose other than that for which it was specially designed. Euro Appliances cannot be held responsible for any error in this manual. Euro Appliances is not responsible or liable for any spoilage or damage to wines or any other contents incidental or consequential to possible defects of the wine cooler. Warranty applies to the wine cooler only and not to the contents of the wine cooler.

This appliance is not intended for use by persons (including children) with reduced physical, sensory or mental capabilities, or lack of experience and knowledge, unless they have been given supervision or instruction concerning use of the appliance by a person responsible for their safety.

Children should be supervised to ensure they do not play with the appliance.

Allow 24 hours before switching on the wine cooler. During this time, we recommend that you leave the door open to clear any residual odours.

Warning

This Wines Coolers should only be use for the storage of wine. It must not be used to store food.

Euro Appliances offers no guarantee for our wine coolers if it is being used for any purpose other than that for which it was specially designed. Euro Appliances is not responsible or liable for any spoilage or damage to bottles or any other contents incidental or consequential to possible defects of the wine cooler. Warranty applies to the wine cooler only and not to the contents of the wine cooler.

The appliance is intended to be used in household and similar applications such as:

- Staff kitchen areas in shops, offices and other working environments;
- Farm houses and by clients in hotels, motels and other residential type environments;
- Bed and breakfast type environments;
- Catering and similar non-retail applications.

Recommendations before loading & plugging in the Wine cooler

- Be unencumbered and well ventilated;
- Be well away from any heat source and direct sunlight or rain;
- Not be too damp (laundry, pantry, bathroom, garage and basement, etc.);
- Have a flat, level and dry floor;
- Have a standard and reliable electricity supply (10A General purpose outlet properly earthed). It is not recommended to use a multi-socket or extension lead;
- Have a surge protector fitted to the electrical outlet.

- Away from microwave. Certain microwave ovens do not have wave interference shield. When placed within 1 meter of the Wine cooler, they may affect the operation of the Wine cooler. Always ensure the outdoor display fridge is kept at the correct settings for the required operation of the appliance.
- Do not store explosive substances, such as aerosol cans with flammable propellant, in this merchandiser.

The wine cooler should be placed where the ambient temperature is between 5 °C to 43 °C. If the ambient temperature is above or below this range, the performance of the unit may be affected. Placing your unit in extreme cold or hot conditions may cause interior temperatures to fluctuate; the idea range of temperature may not be reached. (See Climate Class at the end of this manual).

Warning

Keep ventilation openings, in the appliance enclosure or in the built-in structure, clear of obstruction.

Do not use mechanical devices or other means to accelerate the defrosting process, other than those recommended by the manufacturer.

Do not damage the refrigerant circuit.

This product should not be disposed by the customers, please contact your local authorities and ask for the correct method of disposal. Incorrect disposal may expose the user to injury from sharp objects, flammable gases or cause environmental damage.

Grounding Instructions

The Wine cooler must be grounded in case of an electrical short circuit. Grounding reduces the risk of electrical shock. The Wine cooler is equipped with a power cord having a grounding wire and plug. The Wine cooler plug must be plugged into properly installed and grounded electrical outlet. In locations where there is frequent lightning, it is advisable to use surge protectors.

Improper use of the grounding plug can result in the risk of electric shock. Consult a qualified electrician or service person if the grounding instructions are not completely understood.

If the supply cord is damaged, it must be replaced by the manufacturer, its service agent or similarly qualified persons in order to avoid a hazard.

Installing your wine cooler

Unpack and remove all of the protection and adhesive strips from the packaging around and inside the wine cooler. Important: Before connecting the unit to a power source, please let it stand upright for approximately 24 hours. This will reduce the possibility of a malfunction in the cooling system from handling during transportation.

The wine cooler must be positioned that the plug is accessible. Release the power cord and move your wine cooler to its finally location. The wine cooler should be installed in a suitable place where the compressor will not be subject to physical contact.

Important

For freestanding installation, the wine cooler requires 30mm gap on both sides as well as the rear. This allows the proper air circulation to cool the compressor and condenser. For built-in installation, the Wine cooler requires 10mm space on each side and at the top as well as 10mm space at the rear. The air vent at the front must never be covered or blocked in any way.

Levelling your wine cooler

Wine cooler must be levelled before loading your wines. Your wine cooler is equipped with 4 adjustable feet to facilitate easy levelling. Euro Appliances recommends that you tighten the back feet to the maximum and adjust the front feet to create a level.



This appliance contains R600a refrigerant which is flammable.

It is hazardous for anyone other than an Authorised Service Person to service this appliance. In Queensland, the authorised Service Person MUST hold a Gas Work Authorisation for hydrocarbon refrigerants, to carry out Servicing or repairs where the gas system is being opened or charged.

OPERATING YOUR WINE COOLER

1. Turning on your wine cooler. Plug in and switch on the wine cooler by pressing on the power button for a few seconds. When you use the wine cooler for the first time (or restart the wine cooler after having it power off for a long time), there will be a few degrees variance between the temperature you have selected and the one indicated on the LED readout. This is normal and it is due to the length of the activation time. Once the wine cooler is running for a few hours everything will stabilize.

Important

If the unit is unplugged, power is lost or turned off, wait 3 or 5 minutes before restarting the unit. The wine cooler might not start if you attempt to restart before this time delay.

2. Operating noises. To reach the desired temperature settings, Euro wine coolers, like all wine coolers operating with compressors and fans, may produce the following types of noises. These noises are normal and occur as follows:
 - Gurgling sound, caused by the refrigerant flowing through the appliance's coils;
 - Cracking/popping sounds, resulting from the contraction and expansion of the refrigerant gas to produce cold;
 - Fan operating sound, to circulate the air within the wine cooler.
3. Loading your wine cooler. You might load your wine bottles in single or double rows while taking note of the followings: If you do not have enough bottles to fill your wine cooler, it is better to distribute the load throughout the wine cooler as 6 bottle arrangement so as to avoid "all on top" or "all below" type loads.



Important

Do remove or relocate wooden shelves in the model E150WSCS to accommodate large type of bottles or increase the capacity of the cabinet by stacking the bottles up when necessary.

Keep small gaps between the wall and the bottles to allow air circulation.

Do not over load your wine cooler to facilitate air circulation.

Do not stack more than 1.5 rows of standard 750ML bottles per shelves to facilitate air circulation

Avoid obstructing the internal fan (located inside on the back panel of the wine cooler)

Do not try to slide the shelves outwards beyond the fixed position to prevent the bottles from falling.

Do not pull out more than one loaded shelf at a time as this may cause the wine cooler to tilt forward.

Do not cover the wooden shelves with alloy foil or other materials, as it will obstruct air circulation

Do not move your wine cooler while it is loaded with wines. This might distort the main cabinet.

Defrosting/Hygrometry/Condensation/Ventilation

Your wine cooler is designed with an auto defrost system. During its running, the wine cooler has one time defrosting process every 8 hours and it will last about 30 minutes.

The defrost water from the wine cooler storage compartment drains automatically and part of it goes into a drainage container, which is located at the back of the wine cooler next to the compressor.

The heat is transferred from the compressor and evaporates any condensation that has collected in the pan. Part of the remaining water is collected within the wine cooler for humidity purposes.

All Euro wine coolers are equipped with a double glazed glass door to minimize condensation on the glass door.

The unit is not totally sealed, fresh air admission is permitted through the drainpipe.

Air is circulated through the wine cooler by means of a fan /fans and the hollow shelves.

Important

The water collected by condensation, is therefore recycled. Under extremely dry environmental conditions, you may have to add some water into the water container provided with your wine cooler. During the refrigerating cycle, heat is given off and disperses through the external surfaces of the wine cooler. Avoid touching the surfaces during those cycles.

Temperature Setting

Depending on the loading and settings chosen, it takes 24 hours for the wine cooler to see the temperature stabilizing.

During this time the LED seems to move erratically in particular dual-zone wine coolers. This process occurs whenever the setting is modified and/or whenever a large amount of bottles are added to the wine cooler.



Important

The LCD displays by default the actual internal air temperature. It's important to understand that there is a difference between the air temperature inside the wine cooler and the actual temperature of the wine" You will need to wait approximately 12 hours before noticing the effects of temperature adjustment due to the critical mass within a full wine cooler. Once the thermostat is set it is strongly advised not to toy with it or adjust frequently. The thermostat will maintain the temperature inside the wine cooler within a +/-2.5 °C range, the actual temperature of the wine will only fluctuate 0.5 °C to 1 ° C.

1. Factory preset Temperature Chart:

- The upper compartment: 5 °C
- The lower compartment: 12 °C

2. Control panel of wine cooler:



© Display Windows

- RUN light : Indicator light of compressor working. While the compressor operating, the red light is on. While it stops operating, the red light is off.
- UPPER CHAMBER : Display of the actual temperature of the upper chamber. The range is 0°C~37°C or 32°F~99°F.
- LOWER CHAMBER : Display of the actual temperature of the lower chamber; the range is 0°C~37°C or 32°F~99°F.
- °C/°F light : When the °C light is on, it indicates Celsius temperature; when the °F light is on, it indicates Fahrenheit temperature.
-

© Button Operation

- SET Button of the upper chamber : Temperature setting button; Once you press the button, the temperature increase 1°C or 1°F. Setting range is between 5°C~12°C or 41°F~54°F.
- SET Button of the lower chamber : Temperature setting button; Once you press the button, the temperature increase 1°C or 1°F. Setting range is between 12°C~22°C or 54°F~72°F.
- LIGHT Button : Cabinet light control button; Note: Once the light is turned on, it will automatically off after 10 minutes all out of protecting the wines inside.
- °C/°F Button : Celsius and Fahrenheit conversion button;
- ON/OFF button : Power on and off button; Press the button, it starts; press it again, it stops.

Important

This series of wine coolers has its delay protection function. The compressor will start to work about 3 to 5 minutes after it is power connected or powered off. Please use the wine cooler under the N type of climate. The temperature inside the cabinet will fluctuate and influence the refrigerating effect if the surrounding temperature is too high or too cold.

Wine Serving Temperature Chart

All wines mature at the same temperature, which is a constant temperature set between 12°C to 14°C. The below chart is an indicative temperature chart to indicate the best temperature for drinking purposes.

Types of Wines	Temperature
Champagne , Sparkling, Spumante	6 °C
Dry White Semillon, Sauvignon Blanc	8 °C
Dry White Chardonnay, Dry White Gewurztraminer, Riesling, Champagne Vintage,, Pinot Grigio, Sweet White Sauternes, Montbazillac, Ice Wine, Late Harvest	10 °C
Beaujolais	13 °C
Sweet White Vintage Sauternes, White Vintage Chardonnay	14°C
Red Pinot Noir, Red Grenache, Syrah	16 °C
Red Vintage Pinot Noir, Shiraz, Cabernet, Merlot, Sauvignon Cabernet.	18 °C

Euro wine cooler has been designed to guarantee optimum conditions for storing and/or serving your wines. Fine wines require long and gentle developments and need specific conditions in which to reach their full potential. Not all wines will improve over the years. Some should be consumed at an early stage (2 to 3 years) while others have tremendous ageing capability (50 and over). All wines have a peak in maturity. Do check with your wine merchant to get the relevant information.

Sliding Shelves

Important

To prevent damaging the door gasket, make sure to have the door opened all the way when pulling the shelves.

For easy access to the bottles, you must pull the shelves approximately 1/3 of its depth out of the rail compartment. The wooden shelves are designed with stopper to hook against each sides of the shelf track to prevent bottles from falling.



When removing a shelf from the rail compartment in E150WSCS, make sure to remove all items first, then move the shelf to the stop position and lift over to take the shelf out.

Interior Light

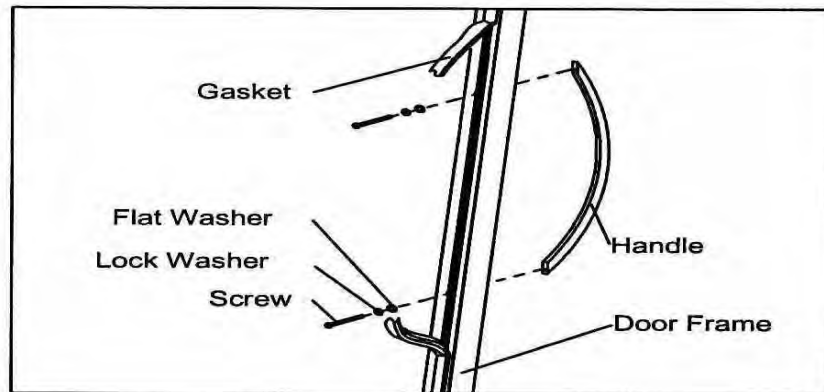
You can turn on/off the interior light by pressing the “Globe” button. The light will be turned off automatically if it remains ON for 10 minutes. You have to press the “Globe” button again and the light will turn back on. For the best storage condition, please keep the light off except while viewing.



Installing Stainless Steel Handle

This wine cooler includes a stainless steel handle that is required to operate this unit. To install the handle please follow the below instruction:

1. Pull away the door gasket in the area where the handle is to be installed – you can see two designated holes for handle installation. The gasket is easily displaced by hand, no tools are necessary.
2. Install the handle tightly as shown below with the two screws. Lock washers and flat washers provided. (DO NOT over tighten as this will cause damage to the handle assembly and stainless steel surface of glass door).
3. Replace the door gasket to its original position.



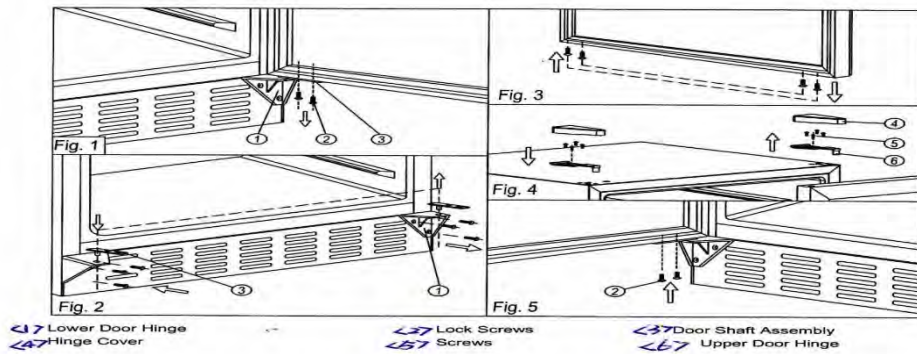
Reversing the Door Swing of Wine Cooler

This appliance has the capability of the door opening from either the left or right side. The unit is delivered to you with the door opening from the left side. Should you desire to reverse the opening direction, please follow the instructions below:

Important

All parts removed must be saved to allow the door swing to be reversed.

1. Disconnect the power and take out all the wines. Carefully lay or lean the wine cooler on its back. Use cushioning to protect the floor and the wine cooler.
2. Open the glass door and remove the two lock screws (2) holding the door shaft assembly (3) to the glass door. Before careful to hold the glass door firmly after removing the screws. (Fig.1).
3. Lift up the removed glass door and place it on a padded surface to prevent scratching it.
4. Remove the two screws from the door bottom at right side and install them to the door bottom at left side. (Fig.3)
5. Use the new bottom hinge provided in the plastic bag inside the wine cooler and installs it at the designated position on the left side, and installs the door shaft (3) assembly accordingly. (Fig. 2)
6. Remove the upper hinge cover (4) and remove the four screws (5) that are used to fix the upper hinge (6) to the cabinet top. Then remove the upper hinge and install it at the designed position on the left side (Fig. 4)
7. Set the glass door into the designated position and install the lock screws (2) to connect the door shaft assembly with the glass door and tighten them before the door is leveled. (Fig.5)
8. Remove the handle from the left side of the door and install it on the right side.



Power Failures and Operation Anomalies

In the event of a power interruption, all previous temperature settings are automatically erased and it will revert to a preset temperature setting. Most power failures are corrected within a short period of time. An hour or two's loss of power will not affect your wine cooler's temperatures. To avoid sudden change of temperature while the power is off, you should avoid opening the door. For longer period of power failure, do take steps to protect your wine.

Important

Irrespective of the cause, if you notice either abnormal temperature or humidity levels inside your wine cooler, be reassured that only long and frequent exposure to these abnormal conditions can cause a detrimental effect on your wines.

Ensure that there is power to the electrical supply plug by connecting another electrical appliance to it. Check Fuse, if any. Make sure that the door is closed properly.

If your wine cooler appears to be malfunctioning, unplug it and contact EURO after sales service on 1800 440 335.

Any intervention on the cold circuit should be performed by a refrigeration technician who should carry out an inspection of the circuit sealing system. Similarly, any intervention on the electrical circuit should be performed by a qualified electrician.

Important

Any Intervention performed by a non-technician will lead to the warranty being considered as null and void.

CARE AND MAINTENANCE

Clean the condenser

The condenser must be kept clean and free of dust at all times. It is recommended that the cleaning routine be conducted at intervals appropriate to the speed of accretion of dust on the condenser. Failure to keep the condenser clean will damage the refrigeration system and invalidate the warranty.

Important

**The condenser is a delicate component and is easily damaged.
Never use a stiff brush or sharp objects to clean it. Never use water.**

Care when going on Vacation

1. Short Vacations

Leave the Wine Cooler operating during vacations of less than 3 weeks.

2. Long Vacations

If the appliance will not be used for several months, remove all Wines and unplug the power cord. Clean and dry the interior thoroughly. To prevent odour and mould growth, leave the door open slightly; blocking it open if necessary or have the door removed. Do not leave access to children.

Moving your Wine Cooler

1. Remove all the bottles.
2. Securely tape down all loose items inside your appliance.
3. Tape the doors shut.
4. When fixed or moved, the Wine cooler cannot be set horizontally or reclined to more than 45° or positioned upside down.
5. Never move the Wine cooler while it is plugged in and operating.

Energy saving tips

The Wine Cooler should be located in the coolest location, away from heat producing appliance or heating ducts, and out of the direct sunlight.

Overloading the Wine cooler forces the compressor to run longer.

Recommended Cleaning Product

- Switch off and disconnect from the power supply before cleaning
- Clean the interior of the appliance using the recommended products in accordance with local hygiene laws and regulations.
- Do not use abrasive cleaning agents, which may scratch and harm the delicate interior finishes of your appliance.
- Always wipe dry after cleaning.

- **AKTIVO All Purpose**

AKTIVO All Purpose Cleaner is our eco-friendly, natural, citrus fresh scented and strong cleaner for your homes. Designed to be gentle and non-toxic on surfaces, good for the environment but tough on stains and big cleaning jobs around the house.

Simply spray and wipe all surfaces with a clean cloth.



- **AKTIVO Glass + Window Cleaner**

AKTIVO Glass + Window Cleaner cleans all the glass surfaces without streaking. It dries quickly, keeping your glass shiny, gleaming and clear and it works without the use of choking ammonia fumes, leaving behind a mild citrus scent.

Spray a fine mist of our cleaner over the surface to be cleaned. Immediately wipe over with a lint free cloth or clean dry paper towel.



- **AKTIVO Stainless Steel Polish**

AKTIVO Stainless Steel Polish is a light oil polish for stainless steel and architectural metals. It will remove finger marks instantly and retain a light film on the surface that resists further marking. Repels dirt and dust for long lasting shine.

Apply to a dry, lint free cloth and wipe lightly in the direction of the grain of the surface. For heavily soiled surfaces pre-clean with AKTIVO All Purpose Cleaner before applying. Do not apply onto plastic parts and moulding.



TROUBLESHOOTING GUIDE

PROBLEM	POSSIBLE CAUSE
Wine Cooler does not operate.	Not plugged in. The appliance is turned off. The circuit breaker tripped or a blown fuse.
Wine Cooler is not cold enough.	Check the temperature control setting. External environment may require a higher setting. The door is opened too often. The door is not closed completely. The door gasket does not seal properly.
Turn on and off frequently.	The room temperature is hotter than normal. A large amount of contents has been added to the Wine Cooler. The door is opened too often. The door is not closed completely. The temperature control is not set correctly. The door gasket does not seal properly.
The light does not work.	Not plugged in. The circuit breaker tripped or a blown fuse. The bulb has burned out. The light button is "OFF".
Vibrations.	Check to assure that the Wine Cooler is on level.
The Wine Cooler seems to make too much noise.	The rattling noise may come from the flow of the refrigerator, which is normal. As each cycle ends, you may hear gurgling sounds caused by the flow of refrigerator in your Wine Cooler. Contraction and expansion of the inside walls may cause popping and crackling noises. The Wine Cooler is not on level.
The door will not close properly.	The Wine Cooler is not on level. The door was reversed and not properly installed. The gasket is dirty. The shelves are out of position.

POWER FAILURES AND OPERATION ANOMALIES

In the event of a power interruption, all previous temperature settings are automatically erased and it will revert to a preset temperature setting. Most power failures are corrected within a short period of time. An hour or two's loss of power will not affect your wine cooler's temperatures. To avoid sudden change of temperature while the power is off, you should avoid opening the door. For longer period of power failure, do take steps to protect your wine.

Note: Irrespective of the cause, if you notice either abnormal temperature or humidity levels inside your wine cooler, be reassured that only long and frequent exposure to these abnormal conditions can cause a detrimental effect on your wines.

Ensure that there is power to the electrical supply plug by connecting another electrical appliance to it.

Check Fuse, if any. Make sure that the door is closed properly.

If your wine cooler appears to be malfunctioning, unplug it and contact EURO after sales service on 1800 440 335.

Important

Any intervention on the cold circuit should be performed by a refrigeration technician who should carry out an inspection of the circuit sealing system. Similarly, any intervention on the electrical circuit should be performed by a qualified electrician.

Any Intervention performed by a non-technician will lead to the warranty being considered as null and void.

TECHNICAL SPECIFICATION

Features - E150WSCS 1 Wine Coolers

- Glass front door with s/steel trim + handle
- Double glazed door UV filtered
- Computerized temperature control
- Dual temperature zones
- 5-12 C (Upper area)
- 12-22 C (Lower area)
- Intuitive optimum humidity control unit
- Separate internal blue LED light
- Compressor quiet cooling control
- R600a refrigerant gas
- 44 - 46 wine bottle capacity (750ml)
- 4 telescopic rail + wooden shelves
- No frost
- Key lock

Electrical requirements

This wine cooler is supplied with 10amp plug & cord.

Volume life rage capacity

154 liters

Weight

62kg gross / 51kg net

Type	Dual Temperature Zone
Dimension (W*D*H)	595*600*875mm
Weight	51KG
Refrigerant	R600a/30g
Cooling System	Compressor Cooling
Ambient Temp	60-90 °F
Rated Voltage	220 -240V
Rated Frequency	50HZ
Input Power	70W

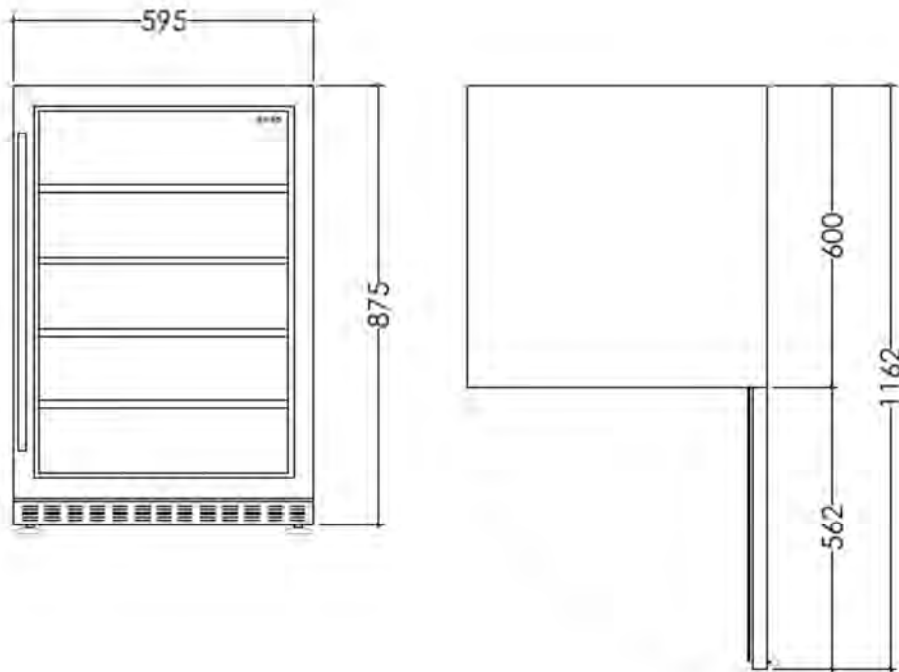
E150WSCS 1



Product Dimensions

595mm width x 600mm depth x 875mm height (Door handle extra 45mm depth)

E150WSCS 1



Features - E430WSCS 1 Wine Coolers

- Glass front door with s/steel trim + handle
- Double glazed door UV filtered
- Computerized temperature control
- Dual temperature zones
- 5-12 C (Upper area)
- 12-22 C (Lower area)
- Separate internal blue LED light
- Intuitive optimum humidity control unit
- Compressor quiet cooling control
- 157-164 wine bottle capacity (Based on average Bottle height of 300mm)
- R600a refrigerant gas
- 12 telescopic rail + wooden shelves
- No frost
- Key lock

Electrical requirements

This wine cooler is supplied with 10amp plug & cord.

Volume life rage capacity

154 liters

Weight

115kg gross / 105kg net

E430WSCS 1 Wine Coolers

Type	Dual Temperature Zone
Dimension (W*D*H)	595*680*1795mm
Weight	105KG
Refrigerant	R600a/52g
Cooling System	Compressor Cooling
Ambient Temp	60-90 °F
Rated Voltage	220-240V
Rated Frequency	50HZ
Input Power	150W

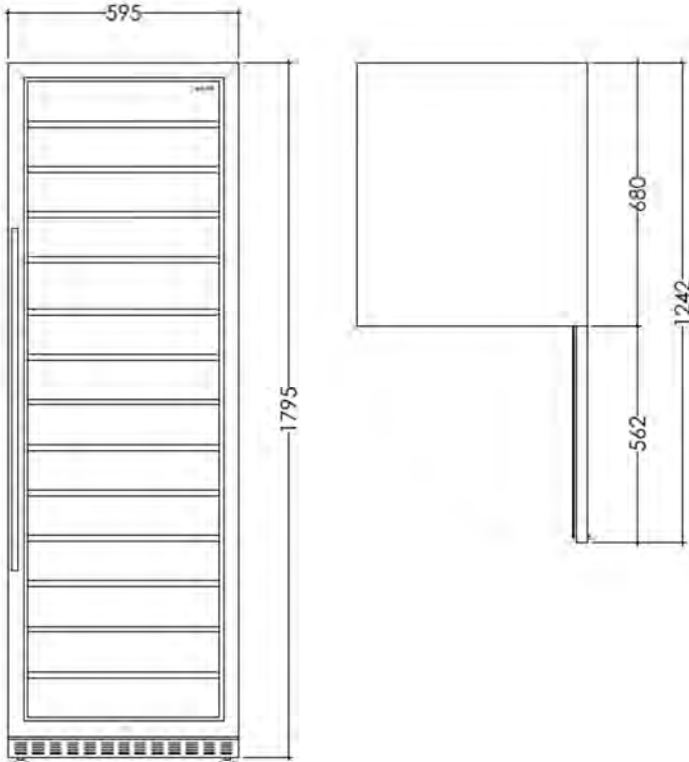
E430WSCS1



Product Dimensions

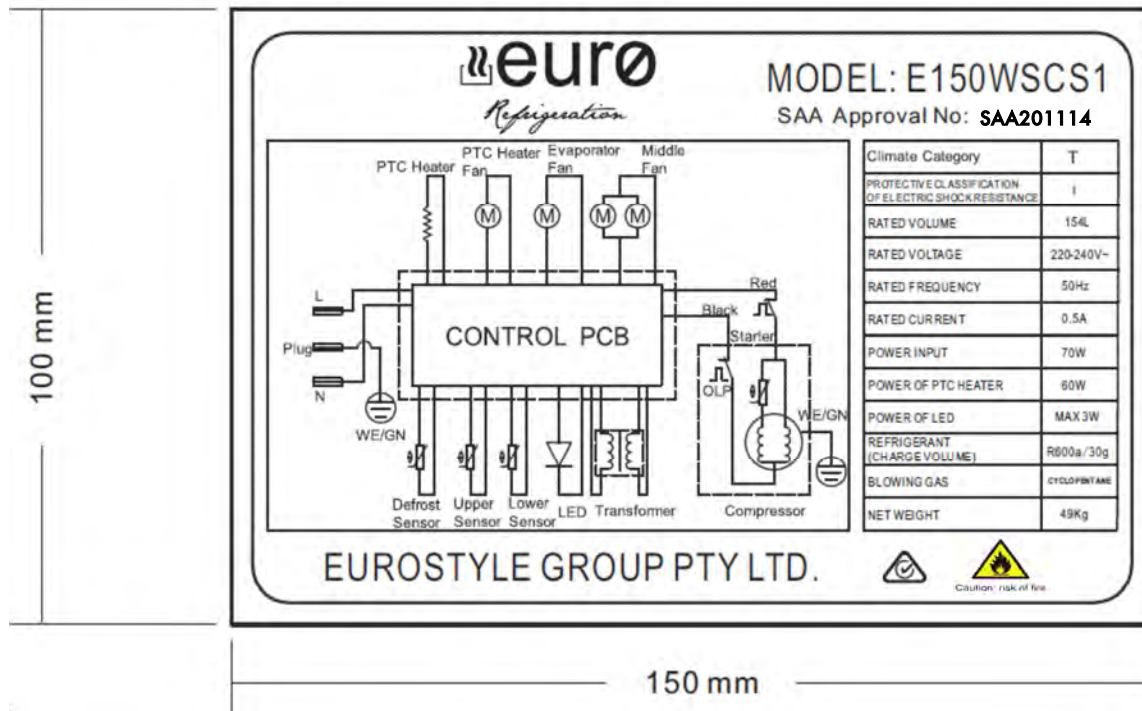
595mm width x 680mm depth x 1795mm height (Door handle extra 45mm depth)

E430WSCS1

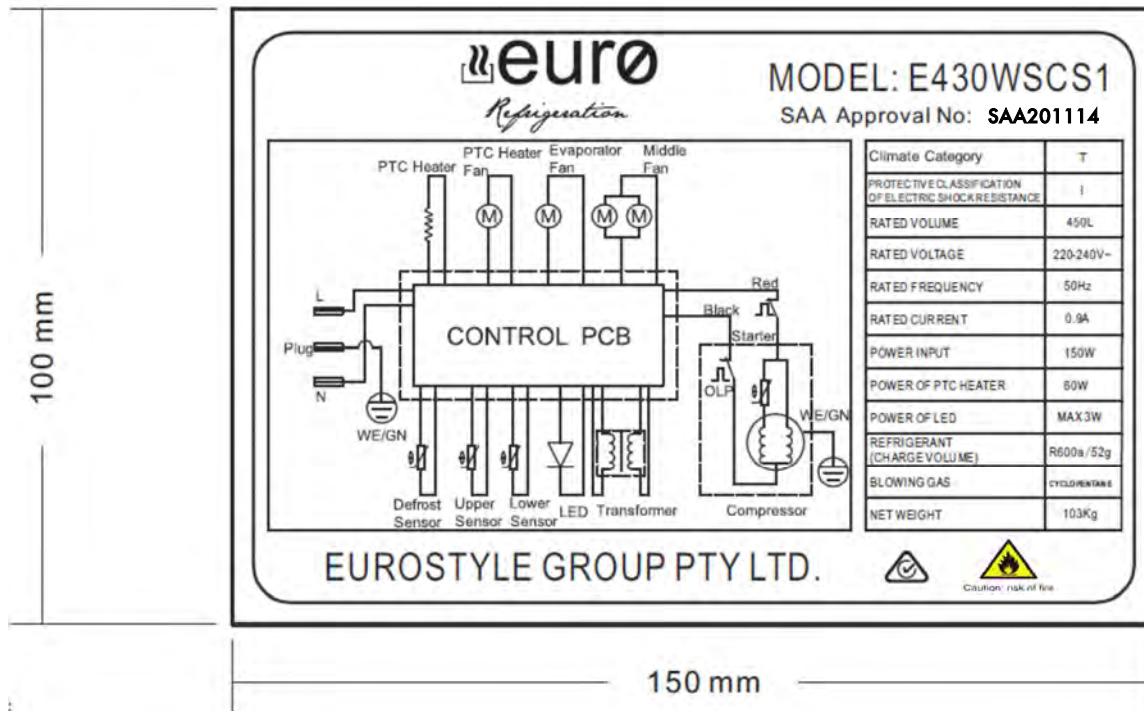


WIRING DIAGRAM

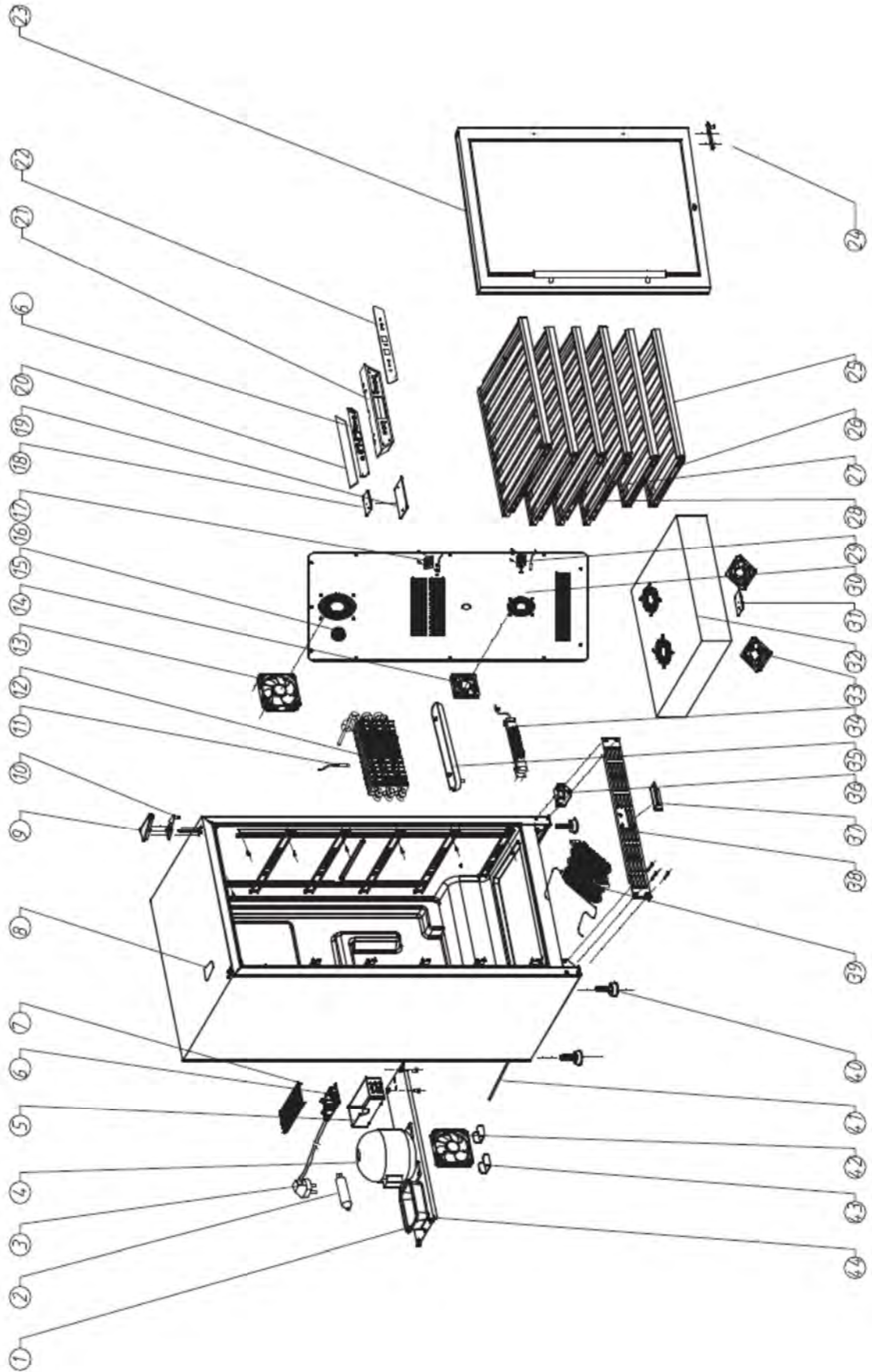
E150WSCS1



E430WSCS1

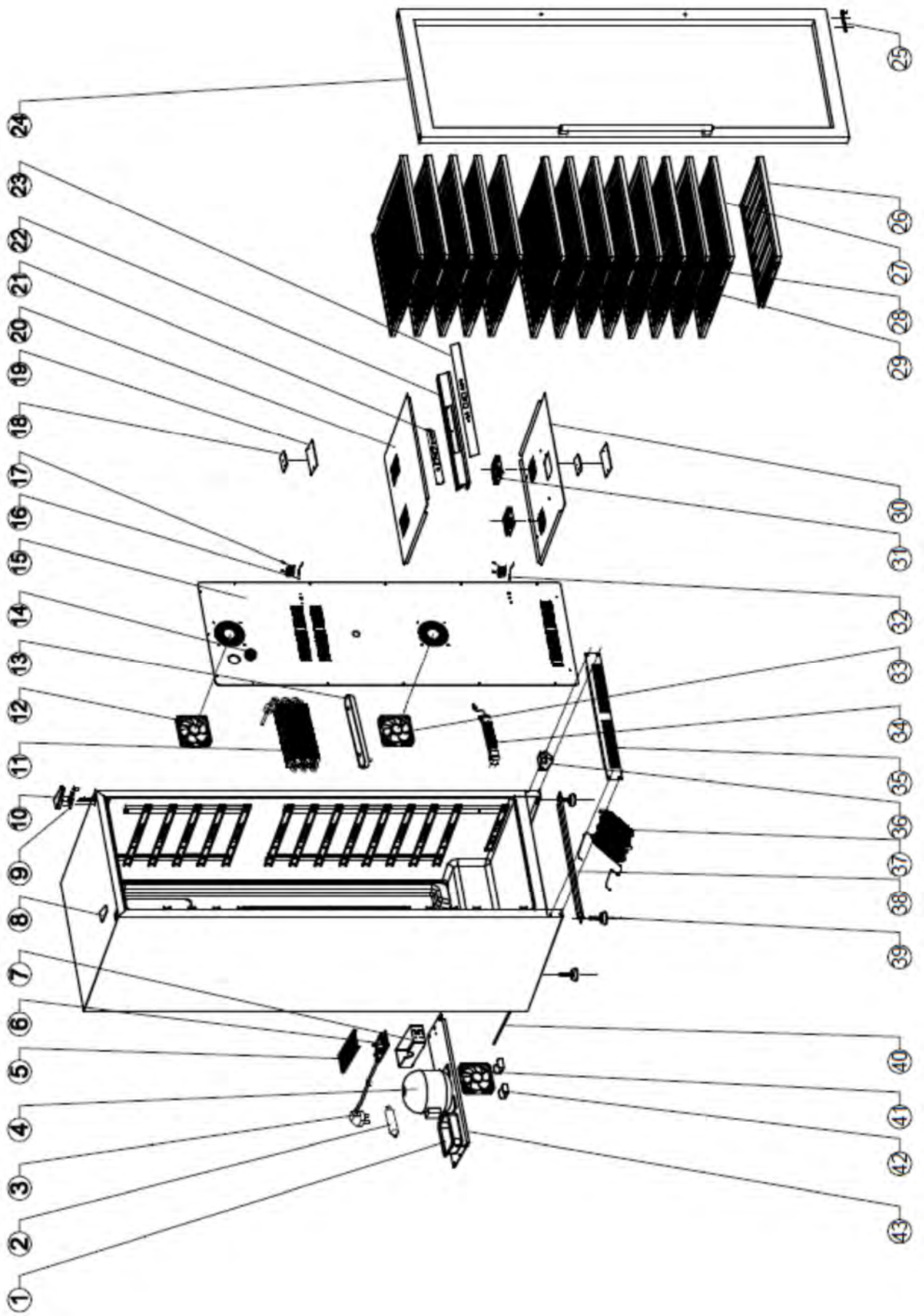


SPARE PARTS



The parts list of JS-54D = EURO CODE E150WSCS1

No.	No. of parts	English name of parts	Qty
1	US3-23	Water tank	1
2	US2-14	Strainer	1
3	US1-32	Power cord	1
4	US1-39	Compressor (ESD60U6)	1
5	US3-13	Power box	1
6	US1-36	Power PCB and Control PCB	1
7	US3-14	The cover of the box	1
8	US3-48	The cover of the hinge screw hole.	1
9	US3-27	The cover of hinge	1
10	US4-16	Upper hinge	1
11	US1-8	The sensor of auto defrost	1
12	US2-1	Evaporator	1
13	US1-6	The fan of evaporator	1
14	US1-7	Heating fan	1
15	US3-50	Carbon filter	1
16	US1-9	The upper sensor	1
17	US3-49	The cover of the sensor	1
18	US1-28-W	Light in upper zone	1
19	US3-12	Light cover	1
20	US3-44	The cover of the control box.	1
21	US3-26	The control panel box	1
22	BZ1-58	Sticker	1
23	MT03-3	Seamless stainless door with handle/gasket/lock	1
24	US4-14	The lower supporter of the door	1
25	US3-4	Small shelf	2
26	US4-48	The small rolling guide (3 sections)	4
27	US3-2	Big shelf	4
28	US4-49	The big rolling guide (3 sections)	8
29	US1-10	The lower sensor	1
30	US3-20	Air-duct Board	1
31	US1-29-W	Light in lower zone	1
32	US4-21	The middle air-duct board	1
33	US1-7	The middle fans	2
34	US1-37	Heater	1
35	US3-24	Inner water tank	1
36	US1-15	Lower hinger	1
37	US4-53	Lock hook	1
38	US4-1	The stainless steel front vent	1
39	US2-17	Condensor	1
40	US3-45	Feet	4
41	US2-11	Circle pipe	1
42	US1-34	the fan of condensor	1
43	US4-52	bracket for fan	2
44	US4-27	The bottom plate	1



The parts list of USF-168D = EURO Code E430WCS1

No.	No. of parts	English name of parts	Qty
1	US3-23	Water tank	1
2	US2-14	Strainer	1
3	US1-32	Power cord	1
4	US1-40	Compressor (N1116HY)	1
5	US3-14	The cover of power box	1
6	US5-1	Power PCB	1
7	US3-13	Power box	1
8	US3-48	The cover of the hinge screw hole.	5
9	US3-27	The cover of hinge	1
10	US4-16	Upper hinge	1
11	US2-2	Evaporator	1
12	US1-6	The fan of evaporator	1
13	US3-24	Inner water tank	2
14	US3-86	The carbon filter	1
15	US3-16	The back air-duct Board	1
16	US1-9	The upper sensor	1
17	US3-49	The cover of the sensor	1
18	US1-28-W	Light	3
19	US3-12	Light cover	3
20		The middle air-duct upper board	1
21		Control PCB	1
22		The control panel box	1
23		Sticker	1
24		Door with handle/gasket	1
25	US4-14	The lower supporter of the door	1
26	US3-10	Small shelf	2
27	US3-8	Big shelf	12
28	US4-48	The small rolling guide	4
29	US4-49	The big rolling guide	24
30		The middle air-duct board	1
31		The middle fans	2
32		The lower sensor	1
33	US1-7	Heating fan	1
34	US1-17	Heater	1
35		The front vent (stainless steel)	1
36	US1-15	Lower hinger	1
37	US2-18	Condensor	1
38	US4-56	The fix plate	1
39	US3-45	feet	4
40	US2-12	Circle pipe	1
41	US1-34	Bracket for fan	2
42	US4-52	The fan of condensor	1
43	US4-27	The bottom plate	1



 **euro**

Pronto Service + Support: 1800 440 335
Email: service@eurostylegroup.com.au

HEAD OFFICE
65 Glynburn Road, Glyne SA 5070
Ph: 08 8165 1012

www.euroappliances.com.au