

CLEANERS SINK

WALL MOUNTED WITH GRATE

Nominal size 560 x 425mm



0 TAPHOLE

CLEANERS SINK

WALL MOUNTED WITH GRATE



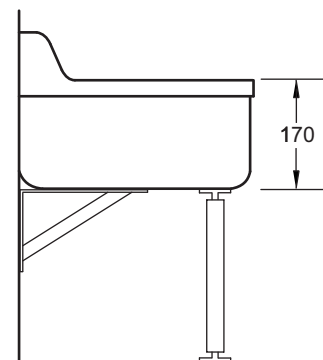
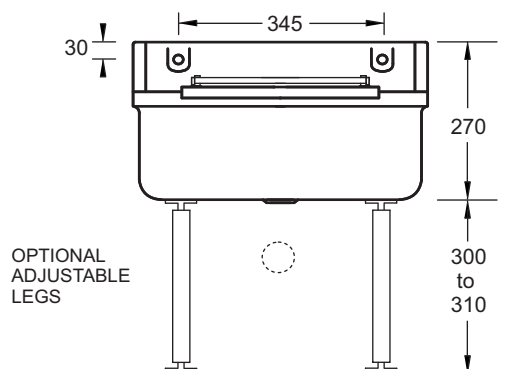
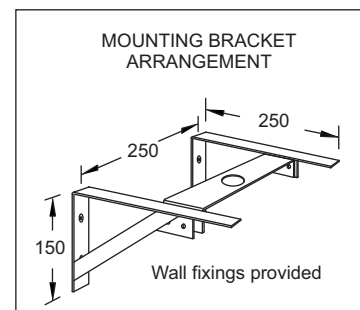
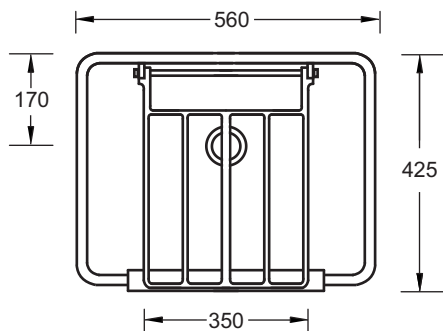
- Functional cleaners sink designed specially for commercial applications
- Strong chrome plated pail support grating and durable rubber edge buffer
- Brackets and screw/bolt fixings included
- Optional support legs
- Requires 50mm waste fitting (included)
- 560 x 425mm

Provided

Item	Description	Code
Sink	Cleaners Sink	G1500
Grate	Pail Support Grate	G1510
Buffer	Grate Buffer	G1511
Waste	50mm Two Piece Waste	PW4
Installation	Bracket Kit with Bolts	G1512

Optional

Legs	Adjustable Support Leg Set	G1513
------	----------------------------	-------



All dimensions are in millimetres and are subject to normal manufacturing variation of +/- 3mm on all surfaces. As product development is ongoing BPA reserves the right to vary specifications without notice.