

# PLAZA ASSIST DELUXE

**JohnsonSuisse**  
Bathroom Solutions

## SPECIAL NEEDS S TRAP TOILET SUITE

CODE:  
Blue Seat - J2031.J2201SNB  
Grey Seat - J2031.J2201SNG  
White Seat - J2031.J2201SNW

### FEATURES

- CONCEALED OUTLET VITREOUS CHINA S PAN WITH VITREOUS CHINA MID-LEVEL, BOTTOM-ENTRY CISTERN
- SUITABLE FOR SPECIAL NEEDS/AMBULANT INSTALLATION IN DOMESTIC OR COMMERCIAL INSTALLATIONS
- SEAT AVAILABLE IN BLUE, GREY OR WHITE COLOUR
- ASSIST SEAT HAS NO LID AND INCORPORATES LATERAL STABILIZERS
- FLUSH PIPE SUPPLIED HAS SUFFICIENT HEIGHT AND LENGTH TO PROVIDE COMPLIANCE WITH AS1428(2009)
- 3/4.5L DUAL FLUSHING, 4 WELS RATED (REGISTRATION: L06685)

### COMPONENTS

PLAZA ASSIST S TRAP PAN  
PLAZA ASSIST CISTERN

ASSIST SINGLE FLAP TOP FIX TOILET SEAT

BLUE  
GREY  
WHITE

CISTERN SCREW AND WASHER SET

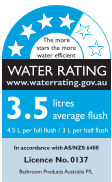
J2031  
J2201SN  
RB6015B  
RB6015G  
RB6015W  
X018



### WARRANTY

VC 25 YEARS, VALVES 3 YEARS, SEAT 5 YEARS  
PRODUCTS REPLACEMENT

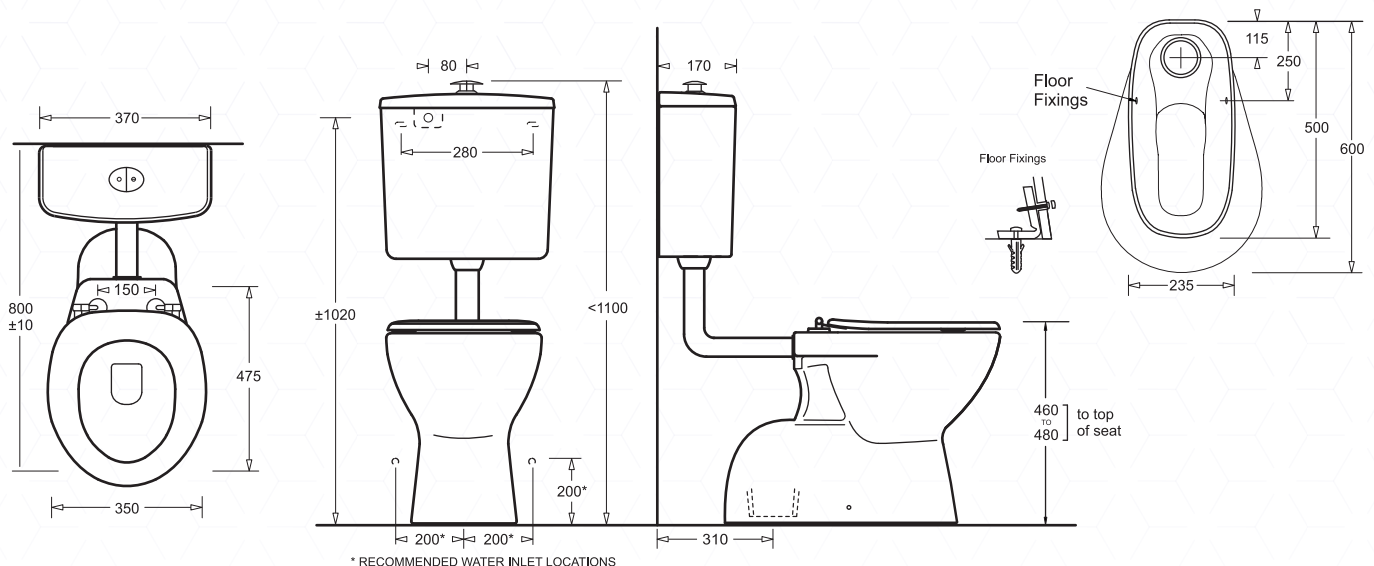
- REFER TO T&C's AT [johnsonsuise.com.au](http://johnsonsuise.com.au)



### Special Installation Note

Designed to be installed in compliance with AS1428.1(2009) - Design for access and mobility. It is essential that the complete sanitary facility installation adheres to this Standard - specified circulation clearances, grab-rails, and other accessories must be in compliance.

### PRODUCT DIMENSIONS



### OPTIONS

RAISED FLUSH BUTTON - BLUE

RA3631B

CONCEALED BACK ENTRY INLET VALVE

XI230

## TECHNICAL DATA SHEET

SUPERSEDES ALL PREVIOUS ISSUES

All dimensions are in millimetres and are subject to normal manufacturing variation. As product development is ongoing BPA reserves the right to vary specifications without notice.  
**Bathroom Products Australia P/L** ABN 87 079 297 617

**JohnsonSuisse**  
Bathroom Solutions

2/97 Banksia St., Botany, NSW 2019  
TEL: 1300 717 717 FAX: 1300 746 480  
[www.johnsonsuise.com.au](http://www.johnsonsuise.com.au)