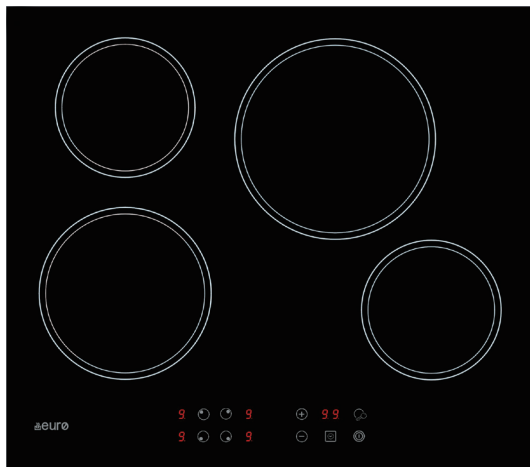


# 60cm Ceran Electric Cooktop

## COOKTOP

PRODUCT CODE: **ECT60CR**



### FEATURES:

- + Smooth Ceran glass electric cooktop
- + 4 heat elements
- + Front sensor touch control operation
- + Residual heat indicator
- + 9 power stage settings
- + Digital timer
- + Square edge design
- + Child Lock Safety

### RESIDUAL HEAT INDICATOR

To ensure that you know which electric hotplate is in use, this cooktop is equipped with a heating level indicator. After cooking, there will be some residual heat remaining & symbols will display.

### 9 POWER SETTINGS

9 levels of power settings to ensure maximum heat when needed & also low heat for slow cooking.

### 4 HEATING ELEMENTS

This ceramic cooktop is fitted with 4 elements to ensure they will provide different cooking zones and power settings to match with your cooking requirement.

### SMOOTH CERAN GLASS COOKTOP

A high-grade ceran glass is used for this cooktop to ensure easy cleaning of the smooth ceran surface

### SPECIFICATIONS:

<b>Electrical Requirements</b>	27 amp dedicated circuit from cooktop to main switchboard
<b>Voltage</b>	220V-240V
<b>Frequency</b>	50Hz-60Hz
<b>Total Rated Load:</b>	6500W
<b>Heating Elements:</b>	
- Front Left Zone	1800W
- Rear Left Zone	1200W
- Rear Right Zone	2300W
- Front Right Zone	1200W
<b>Weight</b>	10.7kg (Gross) 9.0kg (Net)
<b>Product Dimensions</b>	W580mm x D510mm

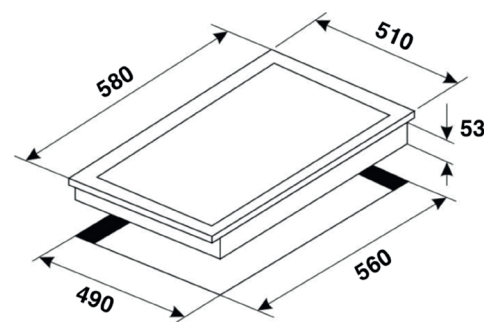


eurocooking

**3**  
YEARS

Warranty

### INSTALLATION DIAGRAM



### CLEANING AND MAINTENANCE

- Cleaning operations must only be carried out when the appliance is completely cool.
- Clean the appliance regularly, preferably after each use
- Abrasive cleaners or sharp objects will damage the appliance surface; you should clean it using water and a little washing up liquid

### SAFETY INFORMATION

- The heating and cooking surfaces of the appliances become hot when in use, take all due precautions.
- Unstable pans should not be used on the appliances as they can cause an accident by tipping or spillage.
- Never leave the appliance unattended when cooking.
- Please refer to the manual for more information

**euro** appliances

EMBRACE QUALITY + PASSION

CUSTOMER SUPPORT TOLL-FREE **1800 440 335**

**DISCLAIMER:** Please note that the measurements and model appearances may change at any time. Euro Appliances reserves the right to change the specifications without notice.

[www.euroappliances.com.au](http://www.euroappliances.com.au)

cooking | laundry | refrigeration | alfresco