

60cm Induction Cooktop

COOKTOP

PRODUCT CODE: **ECT600IN**



FEATURES:

- + Induction cooktop
- + Easy clean Ceran glass
- + 4 cooking zones
- + Front sensor touch control operation
- + Over temperature safety device
- + Overflow protection
- + Auto shutdown protection
- + Timer function
- + 9 heating levels
- + Residual heat indicator
- + Child lock function
- + Square edge design

RESIDUAL HEAT INDICATOR

To ensure that you know which induction hotplate is in use, this cooktop is equipped with a heating level indicator. After cooking, there will be some residual heat remaining, the letter "H" will appear to warn you to keep away from it until it cools down.

OVERFLOW SAFETY DEVICE

To ensure safety whilst cooking, this induction cooktop is equipped with a safety system which stops the operation within 10 seconds when liquids or items are spilled or detected on the control panel.

TIMER FUNCTION

The timer function allows you to select the number of minutes you would like to cook for. An acoustic signal will be activated once the time has elapsed.

SPECIFICATIONS:

| | |
|--------------------------------|---|
| Electrical Requirements | 30 amp dedicated circuit from cooktop to main switchboard |
| Voltage | 220V-240V |
| Frequency | 50Hz-60Hz |
| Total Rated Load: | 6400W |
| Cooking Zones: | |
| - Front Left Zone | 1400W |
| - Rear Left Zone | 1800W |
| - Rear Right Zone | 1400W |
| - Front Right Zone | 1800W |
| Weight | 10kg (Gross) 8.7kg (Net) |
| Product Dimensions | W590mm x D520mm |

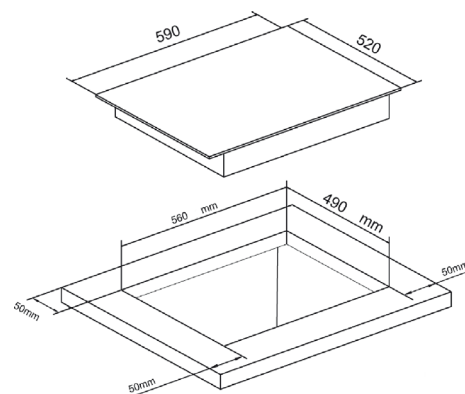


eurocooking



Warranty

INSTALLATION DIAGRAM



CLEANING AND MAINTENANCE

- Cleaning operations must only be carried out when the appliance is completely cool.
- Clean the appliance regularly, preferably after each use
- Abrasive cleaners or sharp objects will damage the appliance surface; you should clean it using water and a little washing up liquid

ABOUT INDUCTION COOKTOPS

- Induction electric cooktops are suited to consumers who are truly energy-conscious as well as providing rapid heating.
- Induction cooktops result in up to 40% greater energy efficiency than gas cooktops and up to 26% greater energy efficiency than ceran glass cooktops.

euro appliances

EMBRACE QUALITY + PASSION

CUSTOMER SUPPORT TOLL-FREE **1800 440 335**

DISCLAIMER: Please note that the measurements and model appearances may change at any time. Euro Appliances reserves the right to change the specifications without notice.

www.euroappliances.com.au

cooking | laundry | refrigeration | alfresco