

90cm Electric Multifunction Oven

BUILT-IN OVEN

PRODUCT CODE: **EO90MXS**



eurocooking



FEATURES:

- + 7 multi-functions
- + 93L Gross / 84L net useable volume
- + Knob function selector
- + Telescopic runner
- + Triple glazed removable door
- + Full inner glass door
- + Contained cavity cooling
- + Under-bench or wall oven installation
- + Timer touch clock function
- + Made in Italy

3
YEARS
Warranty

7 MULTI-FUNCTIONS:



CONVENTIONAL

This method of cooking provides traditional cooking with heat from the top and lower elements. Particularly suitable for traditional roasting and baking on the centre shelf only.



HALF GRILL

Half grilling allows you to toast / brown all your favourite recipes in a smaller area.



THERMOWAVE FAN ASSISTED

This is the position where the heat is coming from the lower and upper heating elements and the heat is circulated into the oven by the fan motor and blades.



OVEN LIGHT

The oven light will automatically turn on once any function is selected, helps to monitor the progress of your cooking.



FAN FORCED COOKING

For the ultimate roast or perfect batch of pastries. The element surrounding the fan delivers even heat for even cooking results, approx. 160°C - 180°C is recommended.



FAN GRILL

This function is perfect for fish, chicken Fillets or meat Cutlets. This Combination is exceptional for cooking meats such as poultry, game and roasts, making them crispy on the outside and tender in the middle. The door can be left closed whilst grilling and Browning will occur from the top element.



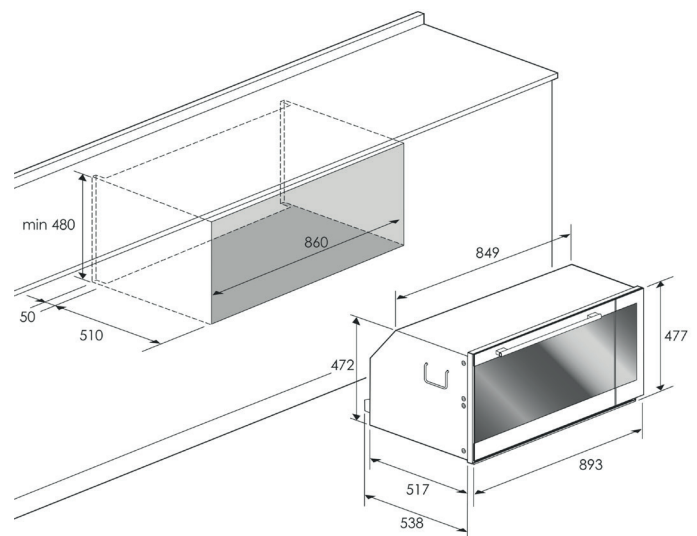
FAN AND BOTTOM ELEMENT

Great for pizza cooking, the fan and bottom element creates the perfect cooking function for base cooked food.

SPECIFICATIONS:

Electrical Requirements	This oven can be connected to a 15 AMP wiring connection. For more information please refer to a qualified electrician.
Power Consumption	220-240v - 50Hz - 2900W
Oven Volume Capacity	93 litres (gross) - 84 litres (net)
Weight	64.0kg (gross) - 58.0kg (net)

PRODUCT DIMENSIONS:



Refer to product manual for wall installation

CLEANING AND MAINTENANCE

Easy clean AAA grade enamel interior.

Clean stainless steel using only recommended stainless steel cleaning products. No abrasives, corrosive detergents, bleaches or acids not required for cleaning the oven.