

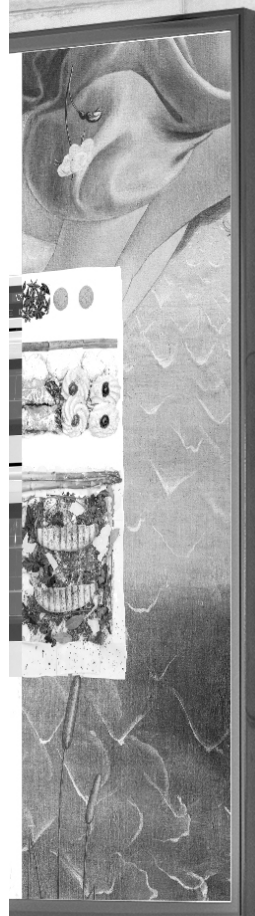


euro
appliances

cooking

USAGE AND
CARE GUIDE

PRODUCT CODE:
EO60SOSX



GENERAL WARNINGS

Read carefully all the instructions contained in this booklet. It provides you with important information regarding the safe installation, use and maintenance of the appliance as well as useful advice for getting the best out of your oven. Keep this booklet in a safe place for future reference. After removing the packing, check that the appliance is not damaged in any way.

Be careful not to leave the packing materials (plastic sheeting, expanded polystyrene etc.) where children can get at them, as they can be dangerous.

IMPORTANT: do not use the oven door handle to move the appliance, such as to remove it from the packaging

ATTENTION

- **The oven is an appliance which, for its nature, becomes hot, especially in correspondence of the glass door.**
- **It is therefore a good rule that children do not approach the oven when it is functioning, particularly when the grill is used.**

The first time you switch the oven on, acrid smelling smoke may appear. This is caused by the heating of the adhesive used on the insulation panels surrounding the oven. There is nothing unusual about this. If it happens, simply wait until the smoke disappears before putting any food in the oven. Never roast or bake on the oven base.

SAFETY IS A GOOD HOBIT TO GET INTO

- ⊙ This appliance is designed for non-professional, household use and its functions must not be changed.
- ⊙ The electrical system of this appliance may be used safely only when it is correctly connected to an efficient earthing system in compliance with the safety standards currently in effect.
- ⊙ The manufacturer will not be held liable for any damages that might arise out of incorrect installation or improper, incorrect or unreasonable use of the appliance.

The following items are potentially dangerous, and therefore, appropriate measures must be taken to prevent children and the disabled from coming into contact with them:

- Controls and the appliance in general;
- Packaging (bags, polystyrene, nails, etc.);
- The appliance immediately after use of the oven or grill due to the heat generated;
- The appliance when no longer in use (potentially dangerous parts must be made safe).

Avoid the following:

- Touching the appliance with wet parts of the body;
- Using the appliance when barefoot;
- Pulling on the appliance or the supply cord to unplug it from the electrical outlet;
- Obstructing the ventilation or heat dissipation slots;
- Allowing power supply cords for small appliances to come into contact with the hot parts of the appliance;
- Exposing the appliance to atmospheric agents (rain, sun);
- Using the oven for storage purposes;
- Using flammable liquids near the appliance;
- Using adaptors, multiple sockets and/or extension cords;

If the supply cord is damaged, it must be replaced by the manufacturer, its service agent or similarly qualified persons in order to avoid a hazard.

The oven must not be installed behind a decorative door in order to avoid overheating.

- Attempting to install or repair the appliance without the assistance of qualified personnel.

WARNING

- Accessible parts will become hot when in use. To avoid burns and scalds children should be kept away.
- During use the appliance becomes hot, Care should be taken to avoid touching heating elements inside the oven.

Qualified personnel must be contacted in the following cases:

- Installation (following the manufacture’s instructions);
- When in doubt about operating the appliance;
- Replacing the electrical outlet when it is not compatible with the plug for the appliance.

Service Centres authorized by the manufacturer must be contacted in the following cases:

- If in doubt about the soundness of the appliance after removing it from the packaging;
- If the power supply cord has been damaged or needs to be replaced;
- If the appliance breaks down or functions poorly; ask for original spare parts.

It is a good idea to do as the following:

- Only use the appliance to cook food, nothing else;
- Check the soundness of the appliance after it has been unpacked;
- Unplugged the appliance from the electrical mains if it is not functioning properly and before cleaning or performing maintenance;
- When the appliance is not used for an extended period of time, unplugged the appliance and close the gas cock (it present);
- Use cooking gloves to place cookware in the oven or when removing it;
- Always grasp the oven door in the centre because the ends may be hot due to the escape of hot air;
- Make sure that the control knobs are on the “o” setting when the appliance is not in use;
- Unplug the appliance when you decide not to use the appliance any longer.

© The manufacturer may not be held responsible for any damage due to: incorrect installation, improper, incorrect and irrational use.

SPECIFICATION

The ovens are designed to operate with a monophase alternating current of 220-240V 50Hz. Anyway, before the installation of the appliance, we suggest you to check always these specifications on the rating label applied on the outside rear part.

Powers absorbed in accordance with models

		Accessories according to models	
Oven lower heating el. 1200Watt	Oven inside heating el. 1900 Watt	synchromotor	4 Watt
Oven upper heating el. 1000Watt	Total grill heating el. 1000+1900 Watt	Shaded motor (back)	25 Watt
Oven light 15Watt	Circle heating el. 2100Watt	Shaded motor (top)	15Watt

INDICATOR LIGHTS

The indicator lights situated above the control panel go on and off when the heating elements are inserted or removed. During the thermostatic functioning of the oven, the neon light remains on until the pre-chosen temperature is reached and when it goes out, this is a sign that the temperature has been reached. When the oven cools, the thermostat determines the re-insertion of the heating elements with consequent re-lighting of the indicator lights. In models the internal oven light, which is always on when any function is in operation, is considered as an operation, and is considered as an operating warning light.

INSTALLING THE APPLIANCE

Important: Unplug your oven before performing installation or maintenance!

Installation should be carried out according to the instructions by a professionally qualified person.

The manufacturer declines all responsibility for any damage to persons, animals or things due to a wrong installation.

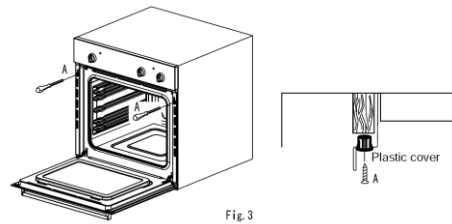


Fig.3

FITTING THE APPLIANCE

Fit the appliance into its surround (beneath a work-top or above another appliance) by inserting screws into the 2 holes that can be seen in the frame of the oven when the door is open.

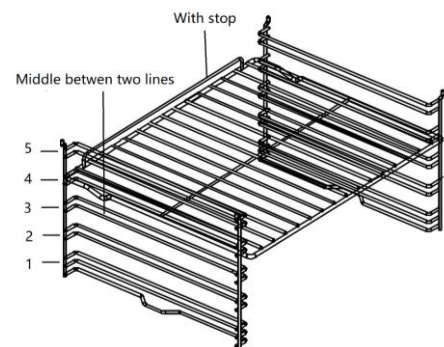
For the most efficient air circulation, the oven should be fitted according to the dimensions shown in fig. 1-2 of page 2.

The rear panel of the cabinet must be removed so that air can circulate freely. The panel to which the oven is fitted should have a gap of at least 70 mm at the rear.

NOTE: where ovens are to be matched with hobs, it is essential to follow the instructions contained in the booklet supplied with the other appliance.

Fitting the Grill Rack

- Ensure shelf orientation is correct (refer picture on right)
- Slide into oven at angle until raised back of shelf is past the stop on side runners.
- Lower front of shelf and push in until stop is reached.
- **To remove oven shelves, withdraw to the stop and raise the front of shelf to clear the stop.**



IMPORTANT

- During use the appliance becomes hot, Care should be taken to avoid touching heating elements inside the oven.
- Accessible parts may become hot during use. Young children should be kept away.

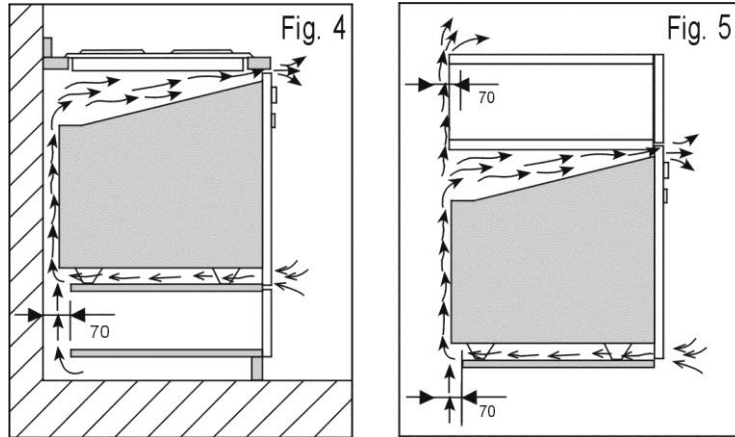
For a built-in oven to work well the cabinet must be of the right type.

The panels of the adjoining furniture should be heat resistant. Particularly when the adjoining furniture is made of veneered wood, the adhesives should be able to withstand a temperature of 120°C. Plastic materials or adhesive which cannot withstand this temperature

will become deformed or unstuck.

To comply with safety regulations, once the appliance has been fitted it should not be possible to make contact with the electrical parts.

All parts which offer protection should be fixed in such a way that they cannot be removed without the use of a tool.



Ensure that the appliance is switched off before replacing the lamp to avoid the possibility of electric shock.

CONNECTION TO THE MAINS SUPPLY

THE APPLIANCE MUST BE CONNECTED ACCORDANCE WITH THE RULES CURRENTLY IN FORCE, AND ONLY BY AN AUTHORIZED ELECTRICAL INSTALLER.

WARNING: THIS APPLIANCE MUST BE EARTHED

- Check that the power rating of the mains supply and of the sockets are suitable for the maximum power of the appliance as indicated on the specification plate.
- Plug should be accessible after installation. Fit the plug into a socket fitted with a third contact which corresponds with the earth connection. This should be properly connected.
- If the appliance just fitted with supply leads but does not come already fitted with a plug, then permanently connect to fixed wiring as follow:
 - The “yellow/green” earth wire, which must be connected to terminal, has to be about 10mm longer than the other wires; the “blue” neutral wire has to be connected to the terminal marked with letter N.
 - “Black, brown, red” live wires have to be connected to terminal L. Mains connection can also be made by fitting a double pole switch with a minimum gap between the contacts of 3mm, proportionate to the load and complying with the regulations in force.

The yellow/green earth wire should not be controlled by the switch.

The plug or a double pole switch used for mains supply connection should be easy to get at, once the appliance is in position.

IMPORTANT: position the mains supply cable so that it is never subjected to a temperature which is more than 50°C above ambient temperature.

- The electrical safety of the appliance can only be guaranteed when it has been correctly connected to an efficient earthed power supply, as laid down in the regulations for electrical safety.
- The manufacturer cannot be held responsible for any damage to persons or objects due to lack of an earth connection.

Installation Drawing

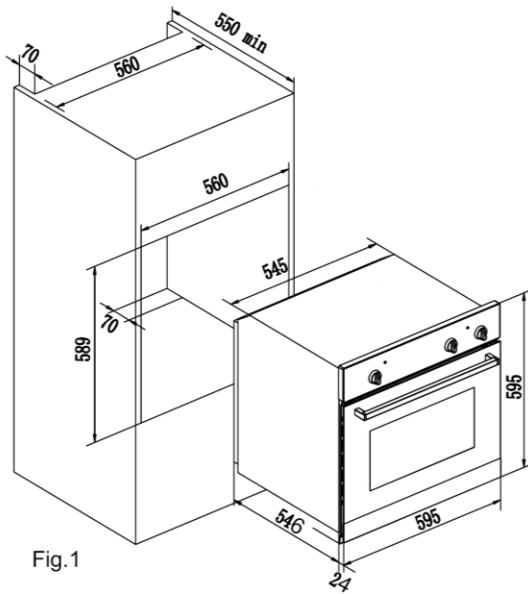


Fig. 1

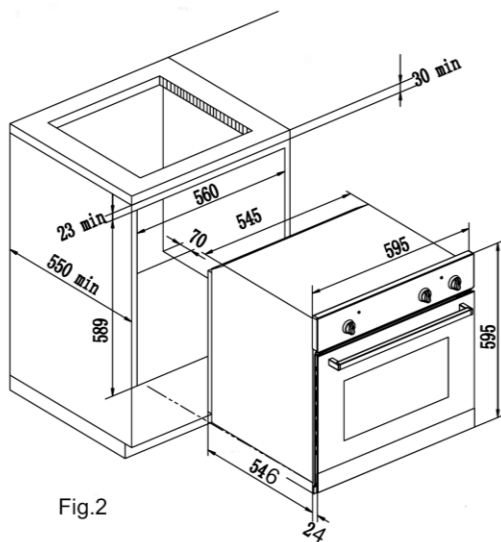


Fig. 2

FITTING DIMENSIONS

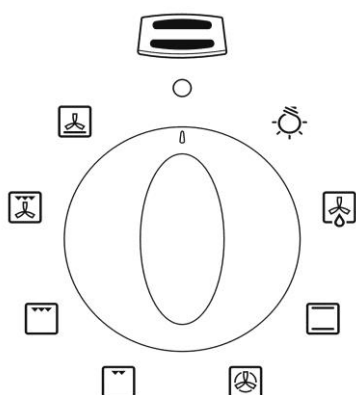
General tolerance for fitting dimension:

Width: $560 \pm 1,5$ mm

Height: $589 +0-2,5$ mm









MULTIFUNCTIONAL OVEN 8 FUNCTIONS

- ◆ All functions will start after selecting the temperature with the thermostat knob.



The oven is fitted with:

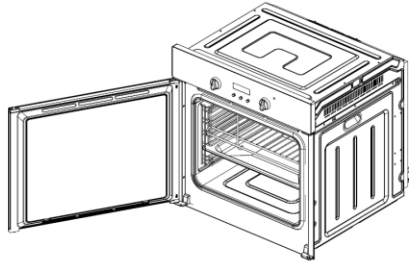
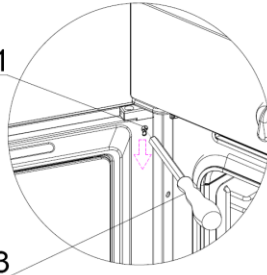
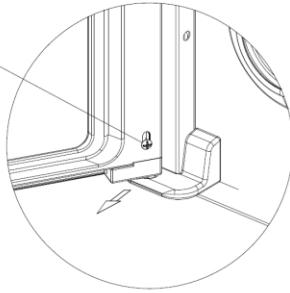
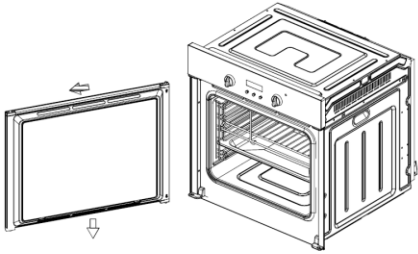
- A lower heating element;
- An upper heating element, which according to the cooking mode can be used for grilling or baking.
- A circular heating element which surrounds the fan

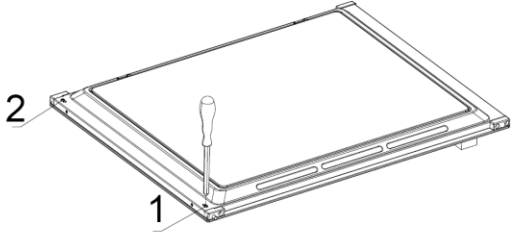
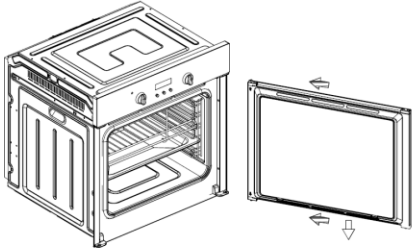
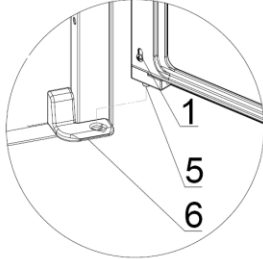
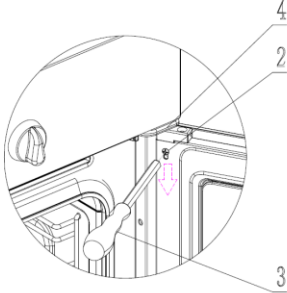
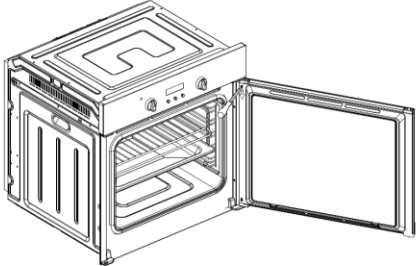
	A light in the oven
	Defrosting with fan The air at ambient temperature is distributed inside the oven for defrosting food more quickly and without proteins adulteration.
	Natural convection Both the lower and upper heating elements operate together. This is the traditional cooking, very good for roasting joints, ideal for biscuits baked apples and crisping food. You obtain very good results when cooking on a shelf adjusting the temperature between 50 and MAX°C
	Fan oven Both the fan and the circular heating element operate together. The hot air adjustable between 50 and MAX°C is evenly distributed inside the oven. This is ideal for cooking several types of food (meat, fish) at the same time without affecting taste and smell. It is indicated for delicate pastries.
	Medium grill It is indicated for grilling and gratinating small quantities of traditional food. This function can be used with closed door for very short times (5-10 minutes). For longer times, this function must always be used with half-open door and control protection in position (see fig. 10-10b).
	Total grill It is indicated for grilling and gratinating traditional food. This function must always be used with half-open door and control protection in position (see fig. 10-10b).
	Fan assisted total grill The air which is heated by the grill heating element is circulated by the fan and so helps to distribute the heat between 50 and 200°C. This function can be used for sterilizing glass jars.
	Lower heating element + fan The air which is heated by the lower heating element is circulated by the fan and so helps to distribute the heat between 50 and 200°C. This function can be used for sterilizing glass jars.

INSTRUCTION OF REMOVABLE DOOR

This oven is equipped with side opening door. The side opening door handle can be reversed for your special needs.

➤ Follow up below instruction to reserve the door,

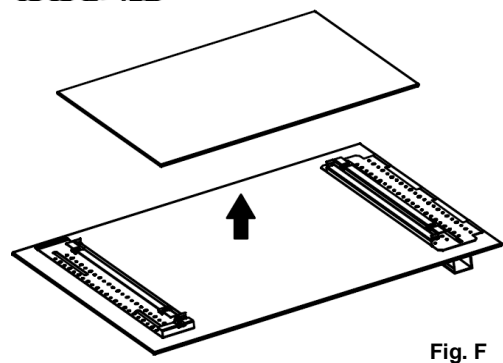
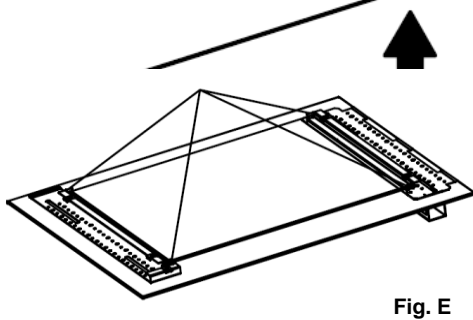
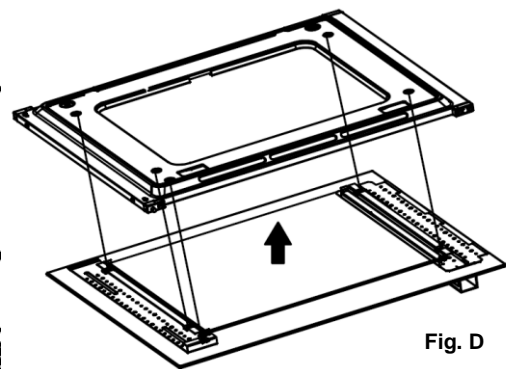
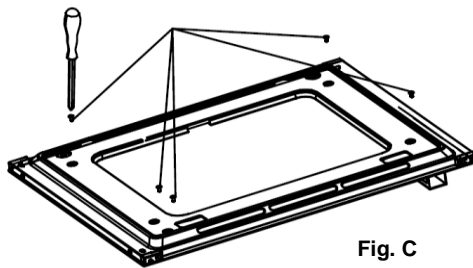
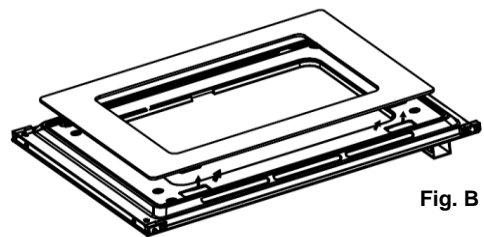
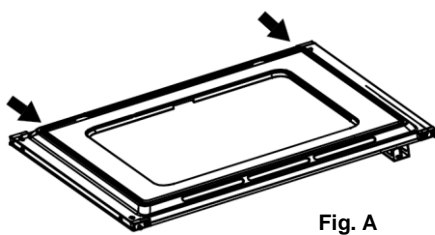
Procedure	Description	Image
1	Open the door to proper angle	
2	Unscrew screw 1 with screwdriver 3, push screw 1 downward, and then pull the door out from up fixed support.	
3	Take the door out from down fixed support directly.	
4	Door is completely taken out from door spindle.	

5	Screw up 1 and screw off 2.	
6	Prepare to assemble the door to opposite door spindle. At this moment, screw 1 is downward, screw 2 is upward.	
7	Assemble the door to down fixed support, put fulcrum 5 to down fixed support 6.	
8	Assemble the door to up fixed support, screw up screw 2 with screwdriver 3.	
9	Door direction is completely changed.	

➤ Instruction of Removing Middle Glass to Clean

Remove the door as per above instruction and plate it on a protective surface (e.g. on a table cloth) to prevent it getting scratched. The door handle should line up with the edge of the table. Make sure the glass lies flat to avoid breakage of glass during cleaning.

1. Pry up the inner with slot type screwdriver (Fig. A)
2. Remove the inner glass (Fig. B)
3. Screw out the 5 screws on the door frame (Fig. C)
4. Removable the door frame (Fig. D)
5. Take out middle glass (Fig. E)
6. Pry up the 4 fixing pieces on the glass bracket (Fig. F)



HOW TO KEEP YOUR OVEN IN SHAPE

This appliance is for household use only, don't use it outdoors!

Important: Unplug your oven before cleaning, or performing maintenance!

To extend the life of your oven, it must be cleaned frequently, keeping in mind that:

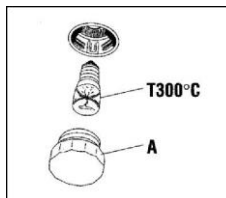
- ⦿ **Do not uses steam equipment to clean the appliance.**
- ⦿ To protect against the risk of electrical shock, do not immerse the unit, cord or plug in water or other liquid or sprinkle water to clean the appliance!
- ⦿ Don't clean the appliance when it still hot! The inside and external surface of the oven should preferably be cleaned by damp cloth when it is cooled down.
- ⦿ Wash all accessories in hot sudsy water or in a dishwasher, wipe dry with a paper or cloth towel.
- ⦿ If you use your oven for an extended period of time, condensation may form. Dry it using a soft cloth.
- ⦿ There is a rubber seal surrounding the oven opening which guarantees its perfect functioning. Check the condition of this seal on a regular basis. If necessary, clean it and avoid using abrasive products or objects to do so. Should it become damaged, please contact your nearest After-sales Service Centre. We recommend you avoid using the oven until it has been repaired.
- ⦿ Never line the oven bottom with aluminium foil, as the consequent accumulation of heat could compromise the cooking and even damage the enamel.
- ⦿ Clear the glass door using damp cloth and dry it with a soft cloth.

Do not use harsh abrasive cleaners or sharp metal scrapers to clean the oven door glass since they can scratch the surface, which may result in shattering of the glass.

Replacing the Lamp in the Oven

- ⦿ Unplug your oven!
- ⦿ Unscrew the glass cover attached to the lamp holder;
- ⦿ Unscrew the lamp and replace it with another high-temperature lamp (300°C) with the following characteristics:

- Voltage: AC220V-240V
- Wattage: 15W
- Socket: E 14



- ⦿ Remount the glass cover and reconnect the appliance to the power supply.

WARNING: Ensure that the appliance is unplugged before replacing the lamp to avoid the possibility of electric shock.

Warning: Do not operate appliance with damaged cord or plug or after the appliance malfunctions, or has been damaged in any manner, return appliance to the nearest Authorized Service Center for examination. Repair, or adjustment!

USEFUL NOTES FOR COOKING

In the following table, some indicative hints for cooking:

FAULTS	CAUSES	REMEDIES
The upper crust is dark and the lower part too pale	Not enough heat from the bottom	<ul style="list-style-type: none"> - Use the natural convection position - Use deeper cake tins - Lower the temperature - Put the cake on a lower shelf
The lower part is dark and the upper crust too pale	Excessive heat from the bottom	<ul style="list-style-type: none"> - Use the natural convection position - Use lower side tins - Lower the temperature - Put the cake on a higher shelf
The outside is too cooked and the inside not cooked enough	Too high temperature	<ul style="list-style-type: none"> - Lower the temperature and increase the cooking time
The outside is too dry even though of the right color	Too low temperature	<ul style="list-style-type: none"> - Increase the temperature and reduce the cooking time.

Protective kit

During operation, the oven glass door and adjacent parts of the appliance become hot. Make sure, therefore, that children do not touch the appliance.

This appliance is not intended for use by persons (including children) with reduced physical, sensory or mental capabilities or lack of experience and knowledge, unless they have been given supervision or instruction concerning use of the appliance by a person responsible for their safety.

Children should be supervised to ensure that they do not play with the appliance.

For greater safety, an additional child-safety device is available from our Head Office and our Authorised Service Centres (see enclosed list). When ordering this, please give the code: BAB-followed by the appliance model. The model is stamped on the plate which is visible on the front part of the oven upon opening the door.



This product must not be disposed together with the domestic waste. This product has to be disposed at an authorized place for recycling of electrical and electronic appliances.

By collecting and recycling waste, you help save natural resources, and make sure the product is disposed in an environmental friendly and healthy way.

Important: if you decide not to use the oven any more, it should be made inoperable by cutting the power supply cable, after unplugging it from the power supply. Disused appliances can be a safety risk as children often play with them. For this reason it is advisable to make the oven safe.

Pronto Service + Support: 1800 440 335
Email: service@eurostylegroup.com.au

HEAD OFFICE
65 Glynburn Road, Glyne SA 5070
Ph: 08 8165 1012

www.euroappliances.com.au

