

Code EA60SX – 60cm Stainless Steel Canopy



3 SPEED MOTOR

This range hood provides the option of 3 different speed levels ensuring you have the option to use your range hood at a low, medium or high level of operation.

HIGH EXTRACTION CAPACITY

The extraction capacity of 700m³/hr provides strength and power to this stylish range hood.

DISHWASHER SAFE CASSETTE FILTERS

For easy cleaning, the cassette filters can be placed in a dishwasher and can easily be removed re-connected from the range hood.

DECIBEL RATING

54-60 dBa

FEATURES

- Stainless steel finish
- 3 speed motor
- 700m³/hr extraction capacity
- 2 x 20W halogen lights
- Separate light function
- Electronic button front controls
- Dishwasher safe cassette filters
- 150mm air flow outlet

TIPS FOR BETTER USE

- Leave your range hood on for 15 minutes after the cooking of the food to remove all odors, steam etc.
 - The dishwasher-safe cassette filters need to be cleaned after approximately 2 months of standard operation
 - It is recommended the range hood be installed between 650mm and 750mm above the cook top
 - It is also recommended that fumes from the range hood be ducted out into the atmosphere.
 - Turn off the range hood before attempting to clean
- Installation recommended by qualified installer**



Electronic button front control

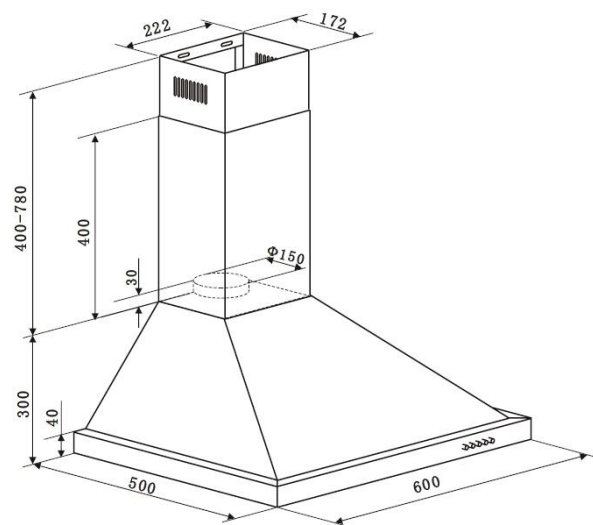


20W halogen lights



Dishwasher safe cassette filter

PRODUCT DIMENSIONS



ELECTRICAL REQUIREMENT:

Range hood is supplied with 10amp cord & plug.

OPTIONAL ACCESSORIES

RECIRCULATING ACCESSORIES

Carbon Filter Code: CF110 (requires x2)

RANGEHOOD EXTENSIONS

Flue Extension 1m Code: ERCEXT

RANGEHOOD VENTILATION KITS

- RHKE65 – Wall – Eave vent kit
- RHKMR65 – Universal metal roof kit, includes flashing
- RHKTR65 – Universal tile roof kit, includes flashing

FILTER CLEANING INFORMATION:

Cassette mesh filter : requires cleaning monthly.
This will ensure no interruptions with airflow operation.

