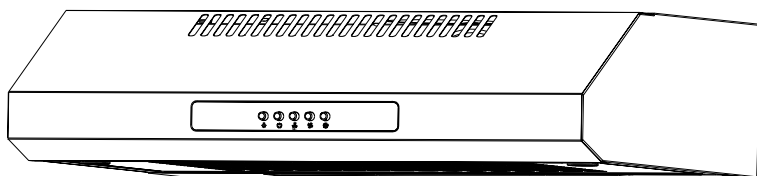


euro



Cooker Hood
Model EAF600SS
EAF600WH

Information and advice

Specification: 220-240V~ 50 Hz 165W

In certain circumstances electrical appliance may be a danger hazard.

- A)** There shall be adequate ventilation of the room when the range hood is used at the same time as appliances burning gas or other fuels.
- B)** Do not check the status of the filters while the cooker hood is operating.
- C)** Do not touch the light bulb within half an hour after appliance use.
- D)** Do not flambé under the cooker hood.
- E)** Avoid opening gasometer when there is no pan on the stove, as it is damaging for the filters and a fire hazard.
- F)** Constantly check food frying to avoid that the overheated oil may become a fire hazard.
- G)** Disconnect the electrical plug prior to any maintenance.
- H)** If the supply cord is damaged, it must be replaced by the manufacture, its service agent or similarly qualified persons in order to avoid a hazard.
- I)** The socket outlet for the range hood must be located so it is easily accessible for the user after installation. Ensure the mains supply voltage corresponds with that of the appliance.
- J)** There is a fire risk if cleaning is not carried out in accordance with the instruction.
- K)** This appliance is not intended for use by persons (including children) with reduced physical, sensory or mental capabilities, or lack of experience and knowledge, unless they have been given supervision or instruction concerning use of the appliance by person responsible for their safety.

- L) Children should be supervised to ensure that they do not play with the appliance.
- M) This appliance can be used by children aged from 8 years and above and persons with reduced physical, sensory or mental capabilities or lack of experience and knowledge if they have been given supervision or instruction concerning use of the appliance in a safe way and understand the hazards involved.
- N) Children shall not play with the appliance.
- O) Cleaning and user maintenance shall not be made by children without supervision.
- P) When the hood is in repair, maintenance, replacement of parts, please pull out the plug, ensure the safety of the people.
- Q) To protect the main body from corrosive of the long time accumulation of dirt, the cooker hood should be cleaned with hot water with non-corrosive detergent every two months.

CAUTION: Accessible parts may become hot when used with cooking appliance.

Please keep this instruction booklet in a safe place for future reference.

Please read this instruction manual carefully: it contains important information concerning the safe operation, installation and maintenance of the appliance.

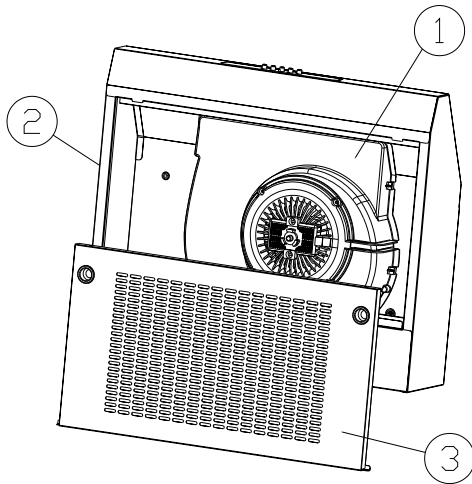
Know your cooker hood

Please read these instructions before using your cooker hood.

1. Air duct assembly
2. Main body
3. Filter assembly

Also include:

- Check valve
- Air outlet cap
- Install screws package
- User instructions



Information

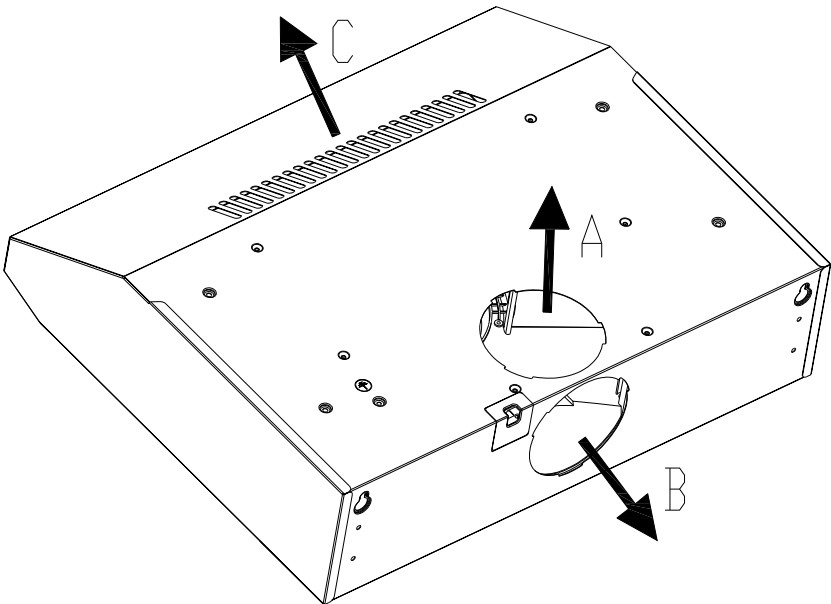
Congratulations on the purchase our cooker hood which is designed to include many superior features that permit you the fullest expression of your living.

Before installing and/or using the cooker hood carefully read all the instruction.

Selection of venting direction

Fully convertible for vertical, horizontal or ductless operation.

- A. Vertical discharge
- B. Horizontal discharge
- C. Ductless



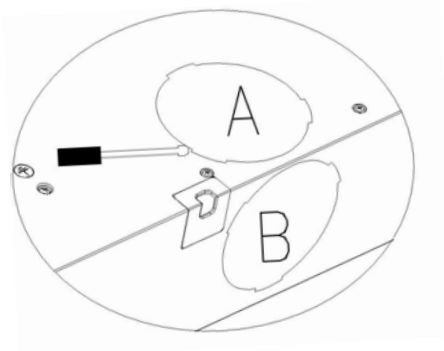
Information

The air must not be discharged into a flue that is used for exhausting fumes from appliance burning gas or other fuels. Regulation concerning the discharge of air have to be fulfilled.

● Vertical discharge

Vertical is the most common.

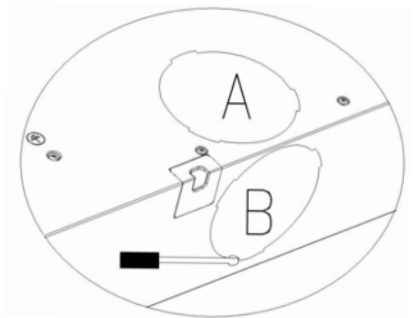
If you select this venting direction, you only need to open ducting knockout by inserting a flat head screwdriver under one end and prying it up. Then snip or break the attachment points by tin snips. You must make sure that the ducting knockout B is not removed.



● Horizontal discharged

Assuming that the range hood is located against an outside wall, horizontal discharge is preferred provided that there are no obstructions such as wall joists, or where opening are difficult to make.

If you select this venting direction, you only need to open the ducting knockout B. Same with removing the ducting knockout A, you must make sure that the ducting knockout A is not removed.

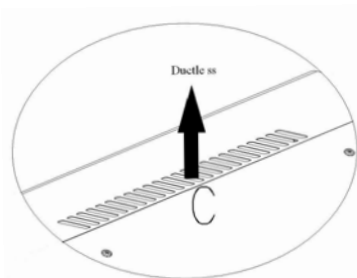


⚠ Information

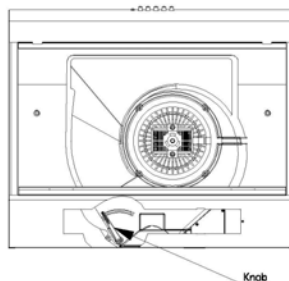
Sufficient air is needed for proper combustion and exhaustion of gases through the flue (chimney) of fuel burning equipment to prevent back drafting.

● Ductless

In a ductless installation the air is re-circulated back into the kitchen. If you do not anticipate heavy cooking this method will be preferred. It will not be necessary to remove any duct knockout, you only need chose knockout C. You should use filters to help remove cooking odors. These filter must be washed and replaced at regular intervals.



After selecting venting direction and completing installation, you can turn the knob to achieve ductless or duct. Open the filter, then you can see the knob



The knob arrowhead, then it is duct.

The knob arrowed , then it is ductless.



⚠ Information

Ductless fans must always be vented to the outdoors.

Installation

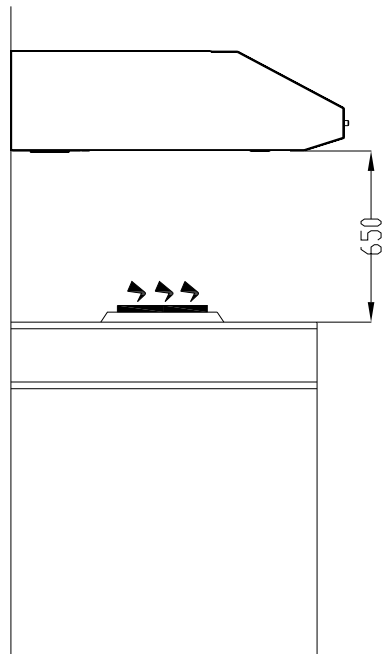
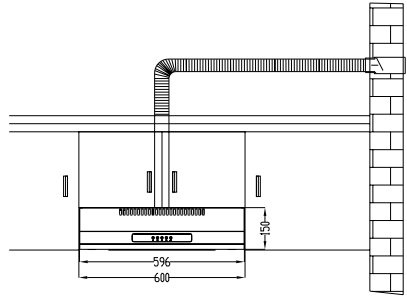
Ensure the power has been turned off before beginning this installation. Plug must be assembled in places easy to drag and insert .

To install this hood you will require two assistants. You will need the following tools and material to complete this installation: *Drill*Flat head screwdriver
*Phillips head screwdriver or cordless drill and Phillips head bit*Tin snip*3/8" nut driver or ratchet with extension
*measuring tape*hand saw or jig saw* electrical tap*duct tape

1. Remove the range hood from the carton.
2. Lay the hood upside down on a table covered with cardboard or paper to prevent scratching of the table or hood.
3. Hood installation should be within 0.8m radius range.
4. We recommend that after installation the bottom of the hood should be no less than 650mm and no more than 750mm above the stove's heating elements and burners.

Information

Installation work and electrical wiring must be done by qualified person(s) in accordance with all applicable codes and standards, including fire-rated construction.



Exhaust-air mode

The exhaust air is conducted upwards via a ventilation shaft or directly through the outside wall into the atmosphere.

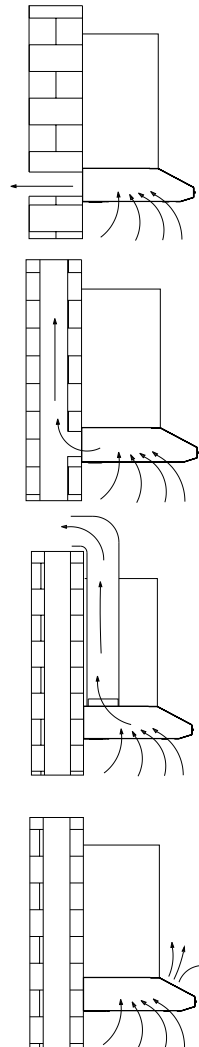
The exhaust air must not be conveyed into a functioning smoke flue or exhaust-gas flue or into a shaft which vents a room with a fireplace.

Conveyance of exhaust air in a non-functioning smoke flue or exhaust-gas flue requires the prior consent of an appropriate heating engineer.

If the extractor hood is in exhaust-gas mode and a flue-type heater is running at the same time (e.g. gas, oil or solid-fuel heaters, continuous-flow heaters, water heaters), ensure that the fireplace has an adequate air supply for combustion.

Safe operation requires that the low air pressure in the room in which the fire place is located does not exceed 4 Pa.

This low air pressure can be obtained, provided combustion air can escape through non-lockable openings, e. g. in doors, windows, air-intake/exhaust-air wall boxes or by other technical procedures, such as reciprocal interlocking, etc.



Information

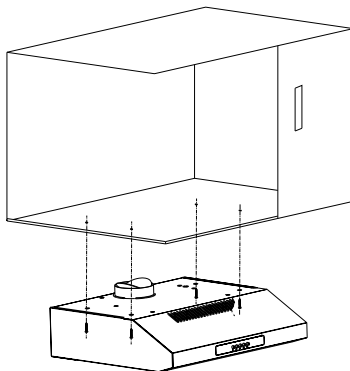
When assessing the air pressure, the entire ventilation system in the house/apartment must be taken into account, e.g. hob and/or gas cooker, this rule does not apply.

Government regulations must be observed for the conveyance of exhaust air

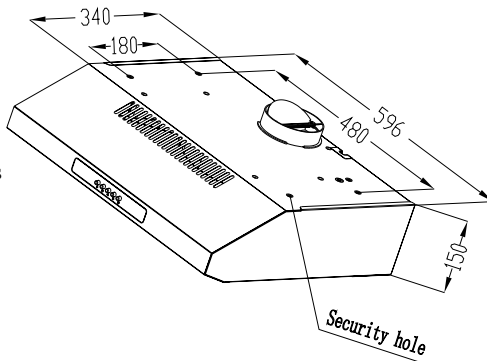
If the extractor hood is used in circulating-air mode-with activated carbon filter-, there are no operating restrictions.

Method 1

1. According to the figure, make sure the position of hood in the cabinet. The wood strips should be line up with the 4 keyholes slots on the top of the range hood. On the cabinet, install 4 screws(supplied)according to the relative position of 4 key holes on the bottom of hood. The extent of screwing should be convenience to the next installation.



2. Hang the hood and let it's 4 key holes aim at screws, the 4 screws should be in the narrow parts of key holes. Screws should be fasten firmly, make sure that the installation between the hood and cabinet is enough fasten.
3. Install screws in the security holes, in case of front and back moving of hood, so that the using is safer.



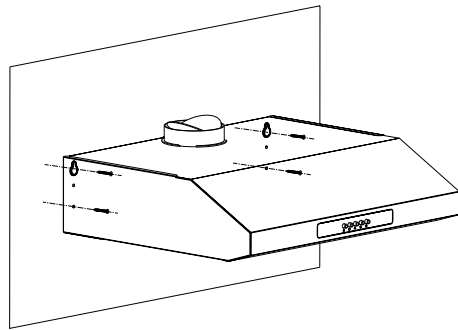
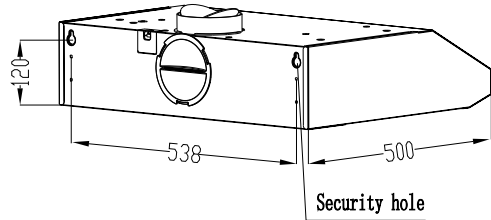
Information

When cutting or drilling into wall or ceiling, do not damage electrical wiring or other hidden utilities.

Method 2

In the installation surface in cabinet don't adapt to install the cooker hood, then as per fig, fix the position of cooker hood on the wall. On the wall, install

2 screws(supplied) according to the relative position of 2 key holes on the back of hood. The extent of screwing should be convenience to the next installation. Also install screws in the security holes, in case of front and back moving of hood, so that the using is safer.



Installation of hoods built in combi cabinets is the same as previous method.

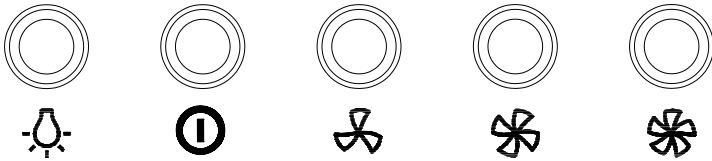
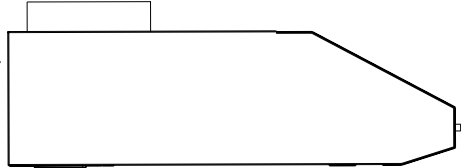
Information

The cooker hood must not be installed and connected to flues where other appliances are installed and which run off other energy supplied different to electricity(water heater boiled cookers(range/agas)etc.).

Hood Using Method

Turn the hood ON when cooking at high heat or when cooking flaming foods.

1. Adjust the knob to be right position.
2. Insert the power plug firmly.

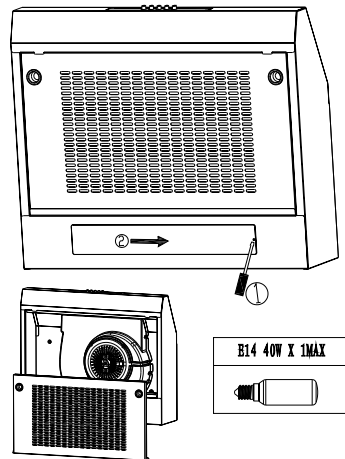


Press the switch of light to be on, the bulbs light on. Otherwise the bulbs don't work.

When press the push button “⏻”:on, the motor runs at low speed. When press the push button “⏸” on, the motor runs at middle speed. When press the push button “⏹” on, the motor runs at high speed. When press the push “⏻” on ,the motor stops running.

Replacing Bulb

1. Switch off the extractor hood and isolate the extrator hood by pulling out the mains plug or switching off the fuse.
2. Remove the grease filter.
3. Replace the lamp (commercially available candle lamps, max.40 watts, E14 lampholder).
4. Reconnect the power by inserting the mains plug or by switching on the fuse.



 **Information**

Clean ventilation fans frequently. Grease should not be allowed to accumulate on fan or filter.

Cleaning Instruction

Disconnect range hood from power supply before cleaning or servicing.

1. Cleaning the surface of hood frequently. Use mild soap or detergent to clean the hood.
2. Do not use harsh alkalis or abrasives
3. Avoid the use of scouring powers or dishwasher compounds.
4. Grease filter may be washed using mild soap or detergent. (heavy grease build-up may not be cleaned easily and the filter may require replacement)
5. Charcoal filter cannot be cleaned and must be replaced regularly.

 **Information**

When cleaning water must not inter into motor, control switch etc. electrical parts.

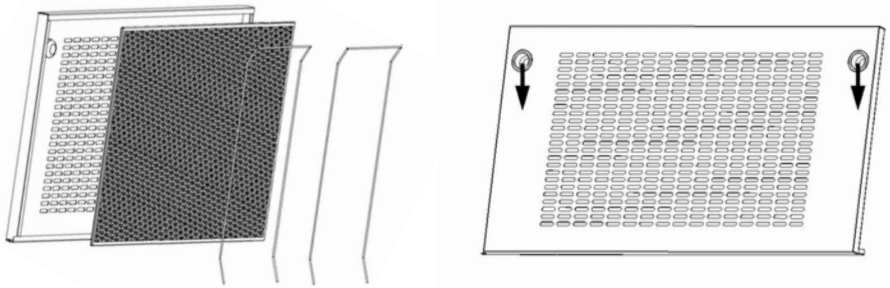
- It is recommendable to clean the metallic filter every three months by carrying out the following instruction:

—Remove the metallic filter from the cooker hood and wash it in a solution of water and neutral liquid detergent, leaving to soak

—Rinse thoroughly with warm water and leave to dry.

—The metallic filter may alter in color after several washes.

This is not cause for customer complaint or replacement of metallic filter.



Information

There is a fire risk of cleaning if not carried out in accordance with the instructions.

The manufacturer shall decline all responsibility if the foregoing recommendations and instruction regarding installation, maintenance and use are not observed and respected when using the cooker hood.