



**euro**  
*Air Extraction*

## USE AND CARE GUIDE

MODEL NO.: ERH900SLX

# CONTENT

1 .....	Notice
2 .....	Installation Requirements
3 .....	Installation – Fitting the Rangehood.
4 .....	Safety Warning
5 .....	Instructions for Use
6 .....	Maintenance
7 .....	Troubleshooting

## **(1) Notice**

1. Thank you for choosing our Slide-out Rangehood. Please read this instruction manual carefully before use.
2. The installation work must be undertaken by a qualified and competent installer in compliance with applicable Australian Standards.
3. Euro Appliances disclaims all liability for any damage or injury caused as a result of not following these instructions for installation.

This Rangehood is suitable for connection to a 240V, 50Hz power supply with a proper earth.

## **Contents**

- 1 x Slide-out Rangehood**
- 1 x Packet of screws & fittings**
- 1 x Plastic outlet with flaps**
- 1 x Operating & Installation Instructions**

## **(2) Installation - Requirements**

**Warning:** This Rangehood is only suitable for installation indoors in accordance with the following:

- Installation must be performed by a qualified competent installer.
- If installed above a barbecue, the minimum distance from the cooking grid/plate is 120cm.
- If installed above a cooking appliance, the minimum distance from the cooking surface is 65cm.

1. Before installation, please ensure the area is clean to avoid suction of any debris such as bits of broken wood, sawdust, etc.
2. Flexible duct bending should be  $\geq 120^\circ$  .
3. There shall be adequate ventilation of the room when the Rangehood is used at the same time as appliances burning gas or other fuels (not applicable to appliances that only discharge the air back into the room).
4. The air must not be discharged into a flue that is used for exhausting fumes from appliances burning gas or other fuels (not applicable to appliances that only discharge the air back into the room).
5. Regulations concerning the discharge of air have to be fulfilled.

It is necessary to allow disconnection of the appliance from the supply after installation. The disconnection can be achieved by having the plug accessible or by incorporating a switch in the fixed wiring in accordance with the wiring rules.

### (3) Installation – Fitting the Rangehood

This Rangehood must be placed at a distance of 65cm minimum from the cooking surface of a cooker/hotplate and 120cm minimum from the cooking surface of a BBQ.

#### 3.1 Fixed to Wall.

3.1.1 Drill 4 x 8mm holes into the wall according to dimensions shown below.

3.1.2 Insert the wall plugs supplied into the holes. Ensure that you use appropriate fittings for the type of wall which will easily support the weight of the Rangehood.

3.1.3 Fit the two metal brackets to the top of the Rangehood with the 13mm long screws supplied.

3.1.4 Insert the two lower 30mm long screws supplied into the wall plugs/fitting, tighten the screws but leave a slight gap for the Rangehood to hook on to the screws.

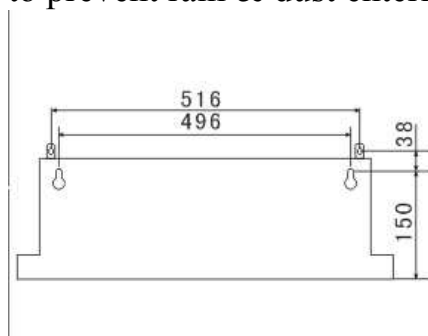
3.1.5 Lift the Rangehood onto the screws and fully tighten the screws.

3.1.6 Fit the two upper 30mm long screws supplied through the bracket and into the wall plugs/fittings and tighten the screws.

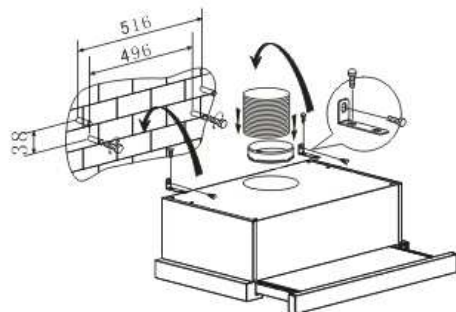
3.1.7 Fit the plastic outlet to the top of the Rangehood by snapping it into the hole. Make sure the outlet is fitted all the way around.

3.1.8 Fit the Flexible Duct (not supplied) to the outlet.

3.1.9 Exhaust the Flexible Duct to the outdoors and fit a one way valve to prevent rain & dust entering into the Rangehood.



60CM



**Warning: Failure to install the screws or fixing device in accordance with these instructions may result in electrical hazards.**

### 3.2 Fixed to Cupboard.

3.2.1 Drill 6 x 4mm holes into the bottom of the overhead cupboard according to dimensions shown below. Use the two rear holes if possible, if not you can use the middle holes in conjunction with the two front holes.

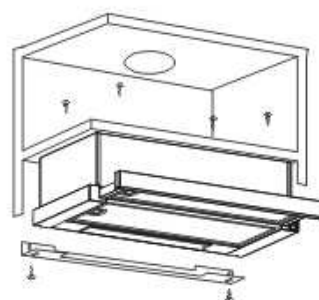
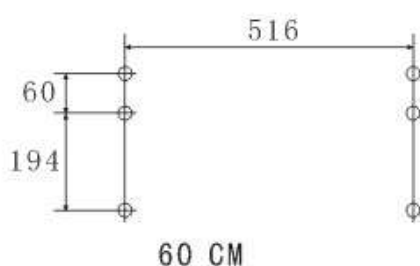
3.2.2 Fit the plastic outlet to the top of the Rangehood by snapping it into the hole. Make sure the outlet is fitted all the way around.

3.2.3 Lift the Rangehood and fix into position with the four 35mm long screws and washers supplied. Fully tighten the screws.

3.2.4 Fit the rear trim plate to cover any gap between the rear wall and the rear of the Rangehood with the 13mm self-tapping screws supplied.

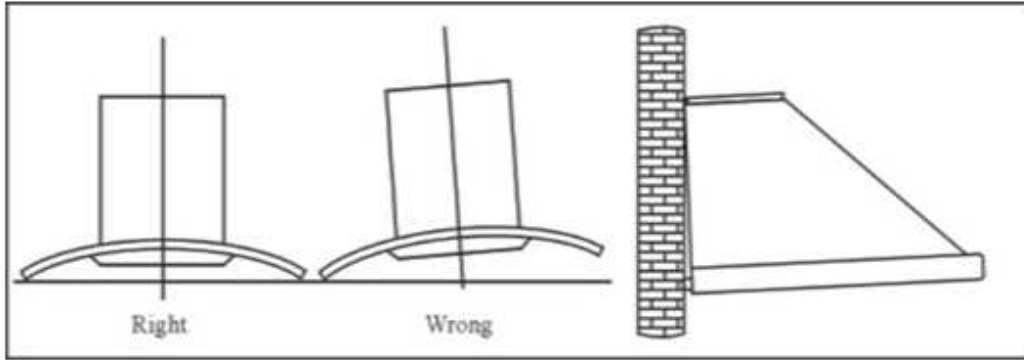
3.2.5 Fit the Flexible Duct (not supplied) to the outlet.

3.2.6 Exhaust the Flexible Duct to the outdoors and fit a one way valve to prevent rain & dust entering into the Rangehood.

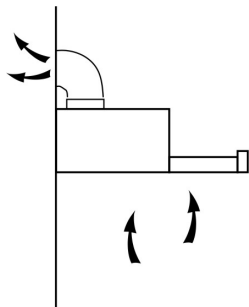


**Warning: Failure to install the screws or fixing device in accordance with these instructions may result in electrical hazards.**

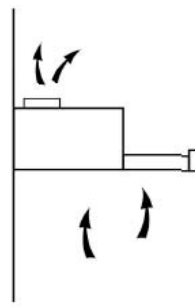
After installation, make sure that the Rangehood is level to avoid grease collecting at one end.



Note: If you do not have an outlet to the outside, you can install the Rangehood so that it recirculates the air. The installation is the same as above except that you do not install the flexible duct. For recirculating installations, we recommend that you fit the activated carbon filters.



Outside the air

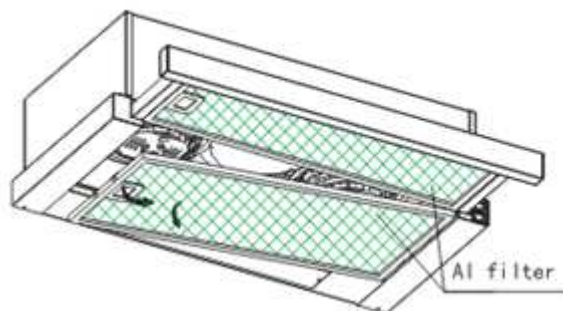


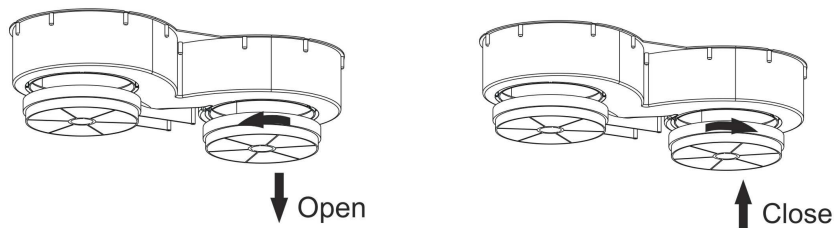
Recirculates the air

Activated carbon filter can be used to trap odors for recirculating installations.

In order to install the activated carbon filter:

1. Slide out the front section of the Rangehood.
2. Detach the metallic anti-grease filters by pressing the lock and pulling downwards.
3. To fit the carbon filters, rotate the carbon filter clockwise.
4. To remove the carbon filters, rotate the carbon filter anti-clockwise.





- Make sure the filter is securely locked. Otherwise, it could loosen and cause damage to the unit.
- When activated carbon filter is attached, the suction power will be reduced.

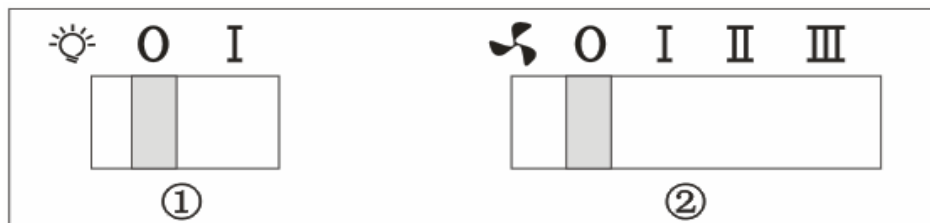
#### **(4) Safety Warnings**

- This Rangehood is for domestic use only, it is not suitable for commercial purposes.
- Please ensure that installation is performed by a qualified competent installer.
- This Rangehood and its filter mesh should be cleaned regularly in order to keep it in good working order.
- Before cleaning, please switch the power off at the main supply.
- Clean this Rangehood according to the instruction manual. There is a fire risk if cleaning is not carried out in accordance with the instructions.
- If there is any fault with the appliance, please switch off immediately, disconnect and call the service department to arrange a service.
- DO NOT flambé under the Rangehood.
- CAUTION: Accessible parts may become hot when used with cooking appliances
- This appliance is not intended for use by persons (including children) with reduced physical, sensory or mental capabilities, or lack of experience and knowledge, unless they have been given supervision or instruction concerning use of the appliance by a person responsible for their safety.



- Children should be supervised to ensure that they do not play with the appliance. Never let the children operate the Rangehood.
- If the supply cord is damaged, it must be replaced by the manufacturer, its service agent or similarly qualified persons in order to avoid a hazard.

#### (5) Instructions for Use



##### 5.1. Lamp – Turn on/off light

“O” – to switch off light

“I” – to switch on light

Power – Slide out drawer, power on; slide in drawer, power off.

##### 5.2 .Speed –select speed to suit cooking conditions

“O” – to switch off motor

Low( I )– light frying/boiling

Medium( II ) – frying/wok cooking/heavy boiling

High ( III ) – grilling, intensive frying and wok cooking

Power – Slide out drawer, power on; slide in drawer, power off.

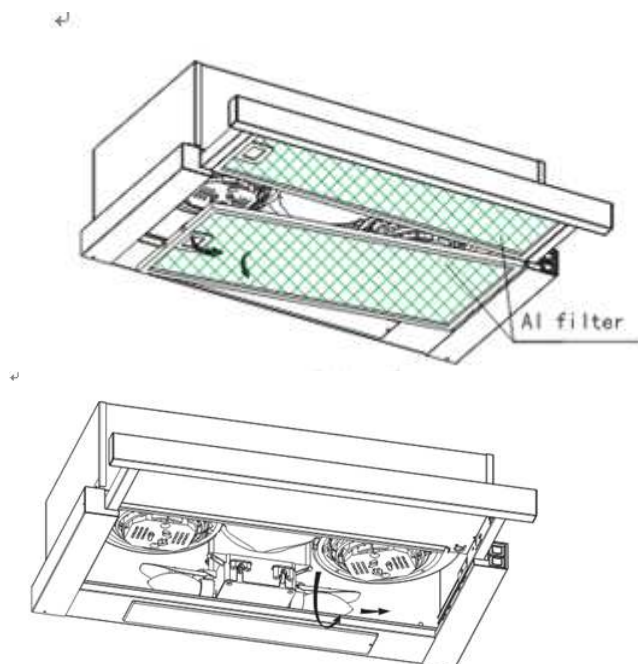
## (6) Maintenance

### 6.1 Cleaning the filters

The filter mesh is made of high-density stainless steel. Please do not use corrosive detergent on it. Keeping this filter clean will keep the appliance running correctly. Please strictly follow the guidelines below.

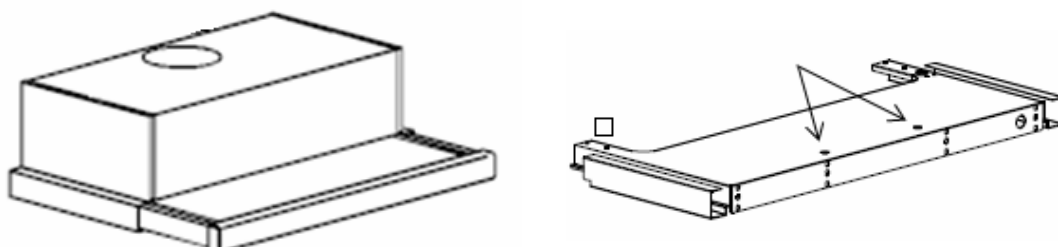
Method 1: Put the mesh into a sink of clean water, pour on detergent, and soak for 2-3 minutes. Wear gloves and clean with a soft brush. Please do not apply too much pressure, as the mesh is delicate and can be easily damaged.

Method 2: Wash in a dishwasher with the temperature set to around 60 degrees.

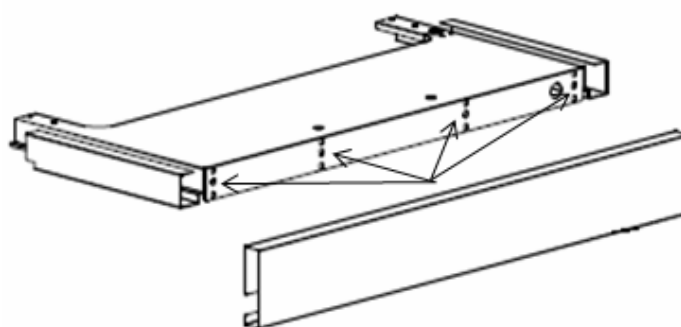


## 6.4 Tgrægo gpv'ht qpvt ckn

1. Pull out the slide housing, and unscrew 2 screws at the top of the slide housing.



2. Remove the switch panel, can see there are 4 small screws on the backside of front rail.



3. Unscrew these 4 small screws, that can unload the front rail.
4. Install the front rail which need to replace, and lock the 4 small screws to fix the front rail.
5. Put back the switch panel, and then lock the 2 screws on the top of housing that can fix the switch panel.

## 6.3 Replacement Light

- (1) Switch off the appliance and unplug it.
- (2) Slide the front part of the cooker hood.
- (3) The metallic anti-grease filter should be detached first. Press the lock and pull it downward.
- (4) Replace with same type of light (3W GU10 LED).

## 6.4 Cleaning the Rangehood

1. To protect the main body from corrosion, the Rangehood should be cleaned with hot water plus non corrosive detergents every two months.
2. Please do not use abrasive detergent because it will damage the Rangehood.
3. Keep water away from motor and other electrical parts as this will cause damage to the appliance.
4. Before cleaning the appliance please ensure to shut off the power and disconnect the plug.
5. If the supply cord is damaged, it must be replaced by the manufacturer, its service agent or similarly qualified persons in order to avoid a hazard.

## (7) Troubleshooting

**Warning: Service must be performed by an authorised competent person.**

Fault	Cause	Solution
Light on, but motor does not work	The flaps are blocked	Remove the blockage.
	The capacitor is damaged	Call for service.
	The motor is jammed due to bearing damage	Call for service.
	There is a bad smell coming from the motor	Call for service.
Light does not work, motor does not work	Beside the above mentioned, check the following:	
	Light damaged	Call for service.
	Power cord not connected	Check plugged in and switched on that power is available.
Oil leakage	Filters saturated with cooking oils.	Clean the filters.

	Leakage between the connection of U-shaped section and Rangehood	Remove U-shaped section and seal
Vibrations	The flaps are damaged and causes shaking	Call for service.
	The motor is not fixed securely to the Rangehood body	Call for service.
	The Rangehood body is not fixed securely to the wall	Notify your installer.
Insufficient suction	The distance between the Rangehood and the cooking surface is too much	Notify your installer.
	Too much ventilation from open doors or windows	Close doors or windows, choose an alternative location, if possible, away from draughts.
The Rangehood inclines	The fixing screws are not tight enough	Notify your installer.
	The hanging screws are not tight enough	Notify your installer.
Rangehood switched off during operation.	The safety cut-out device has activated.	Switch off the Rangehood and wait for the device to reset.  If the Rangehood has been installed below the minimum heights indicated in this manual please notify your installer.

Eurostyle Group trading as Euro Appliances

Service Line: (08) 8165 1012

Fax: (08) 8165 1018

Email: [admin@eurostylegroup.com.au](mailto:admin@eurostylegroup.com.au)