

90cm Gas Slimline Cooktop

COOKTOP

PRODUCT CODE: **E90CTWX**



FEATURES:

- + Stainless steel finish
- + 5 gas burners includes triple ring wok burner
- + Front control knob operation
- + One piece hob for ideal cleaning
- + 1 touch electric ignition
- + Cast iron trivets
- + Flame failure safety device
- + Natural gas or LPG (jets included)
- + Stylish flat slim line design
- + Made in Italy

IDEAL CLEANING

Cook top surface all in a "one piece hob setting" which makes cleaning the cooktop a simple, non-time consuming activity.

ONE TOUCH ELECTRONIC IGNITION

This gas cooktop uses a one touch electronic ignition system. Simply push down the knob and turn and the flame will ignite automatically.

CAST IRON TRIVETS

Non-slip, cast iron trivets are standard with this cooktop and removable for easy cleaning.

FLAME FAILURE SAFETY DEVICE

The flame failure device is a safety mechanism which ensures the gas is automatically turned off in the case of the flame extinguishing.



SPECIFICATIONS:

Electrical Requirements	Cooktop is supplied with 10 amp plug & cord.
Gas Rated Pressure:	
- LPG	2.75 kPa
- Natural	1.00 kPa
Gas Burners:	
- Wok Burner (Left)	13.0 MJ/h
- Auxiliary Burner (Front Centre)	3.40 MJ/h
- Rapid Burner (Rear Right)	11.5 MJ/h
- Semi Rapid Burners (Front Right + Rear Centre)	6.30 MJ/h
Weight	13.5 kg net / 11.5 kg gross
Product Dimensions	W890mm x D510mm

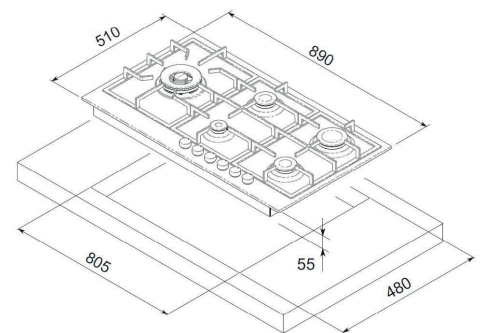


eurocooking



Warranty

INSTALLATION DIAGRAM



CLEANING AND MAINTENANCE

- + Cleaning operations must only be carried out when the appliance is completely cool.
- + Clean the appliance regularly, preferably after each use
- + Abrasive cleaners or sharp objects will damage the appliance surface; you should clean it using water and a little washing up liquid

SAFETY INFORMATION

- + Do not use this appliance if it comes in contact with water. Do not operate this appliance with wet hands
- + The heating and cooking surfaces of the appliances become hot when in use, take all due precautions.
- + Unstable pans should not be used on the appliances as they can cause an accident by tipping or spillage.
- + Never leave the appliance unattended when cooking.
- + Please refer to the manual for more information