

fienza[®]

UNIVERSAL CABINETRY

INSTALLATION GUIDE

CARE & CLEANING

WARRANTY



BEFORE INSTALLATION: PLEASE CHECK ALL COMPONENTS CAREFULLY.

**IF COMPONENTS ARE INCORRECT, FAULTY OR DAMAGED, DO NOT
PROCEED WITH INSTALLATION. CONTACT FIENZA IMMEDIATELY.**

INSTALLATION IS ACCEPTANCE OF GOODS AND WILL VOID WARRANTY.

**PLEASE LEAVE THIS MANUAL
WITH THE END USER**



BEFORE INSTALLATION: PLEASE CHECK ALL COMPONENTS CAREFULLY. IF COMPONENTS ARE INCORRECT, FAULTY OR DAMAGED, DO NOT PROCEED WITH INSTALLATION. CONTACT FIENZA IMMEDIATELY. INSTALLATION IS ACCEPTANCE OF GOODS AND WILL VOID WARRANTY.

1. CHECK THAT YOUR WALL IS FLAT & PLUMB

Before installing, check that your wall is flat and plumb. If not, the cabinet will need to be packed out so that sits level, otherwise the cabinet may twist, causing doors and drawers to fall out of alignment and not function properly.

The cabinet should be installed over the top of a tiled wall with adequate clearance for doors and drawers to open. When installing the side of a cabinet against a wall, a fill panel can be used. See 'Installation Against a Wall' for more information.

It is recommended that vanities are installed at least 300mm away from wet areas such as showers and baths.

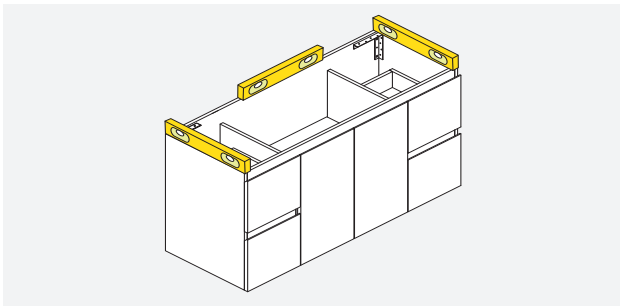
Cabinets with Side Panels & Mirror Cabinets with Undershef

Side panels, metal accent frames or undershelves **MUST** be fitted to the main body of the cabinet **BEFORE** mounting the cabinet to the wall. Please consult the separate instructions supplied with the product.

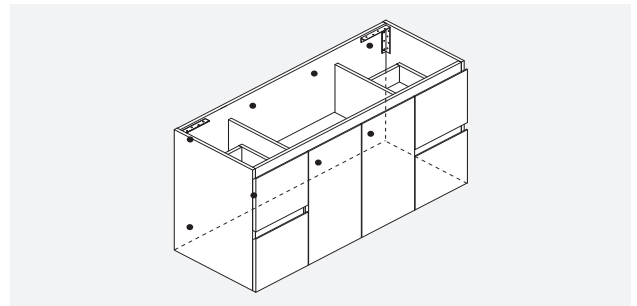
2. MOUNT YOUR CABINET MAKING SURE IT IS LEVEL & PLUMB

Mount the cabinet using screws through the solid back panel of the cabinet. Screws should be selected to suit the stud material and have a pan or counter sunk head. Screws should be placed horizontally within 100mm from the top of the cabinet, with a maximum of 300mm of spacing horizontally. The screws near the left and right edge of the cabinet should be within 100mm of each side.

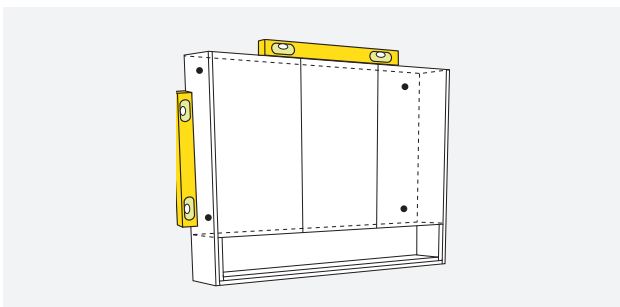
When mounting vanity cabinets, use a spirit level to ensure that the cabinet is level and plumb on all sides. If not, remove the cabinet and straighten the wall or pack the back of the cabinet until it has been corrected. **DO NOT install the vanity top until the cabinet is level and plumb in all directions.**



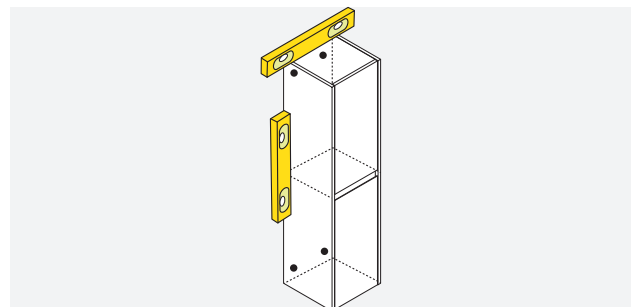
Vanities: Ensure cabinet is level and plumb.



Vanities: Mount to wall as detailed above.

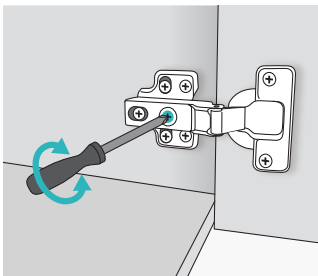


Mirror Cabinets: Mount to wall studs with included screws in each corner and ensure cabinet is level and plumb.

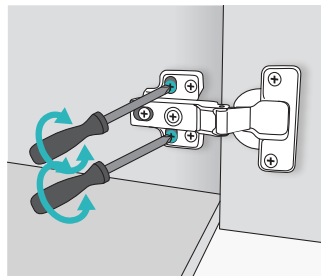


Tallboys: Mount with suitable screws in each corner and ensure cabinet is level and plumb.

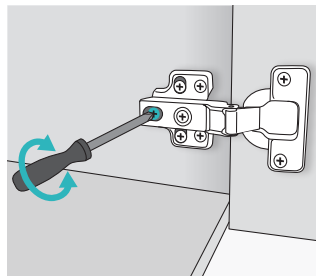
3. ADJUST THE DOORS



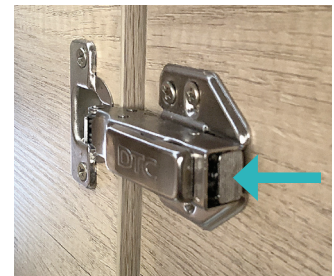
Use the front screw to adjust door to the left or right.



Loosen the two bracket screws to slide door up or down. Tighten screws.



Use the back screw to adjust door further in or out.

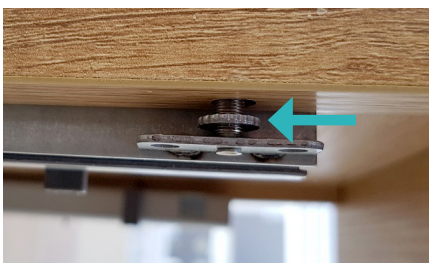


Some cabinets allow door to be removed (if required). Push the back of each hinge simultaneously.

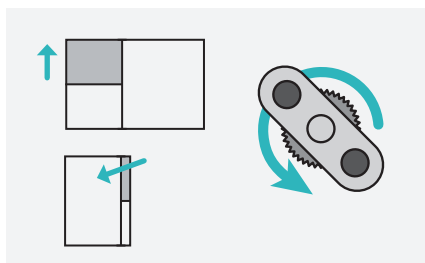
Adjust the Drawers

Lift the drawer up slightly for easy manual adjustment.

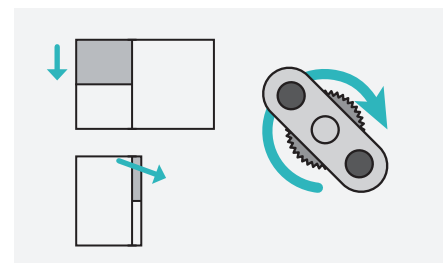
FOR CABINETS: Amato, Edge Scandi, Edge Industrial, Fingerpull, Hampton



Adjusting nut on underside of drawers.



To adjust the drawer UP (backwards tilt) turn anti-clockwise.

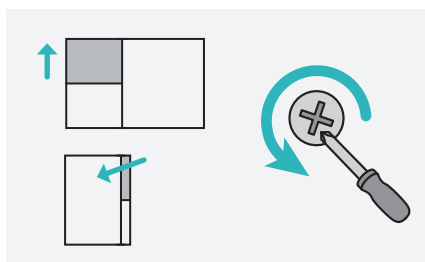


To adjust the drawer DOWN (forward tilt) turn clockwise.

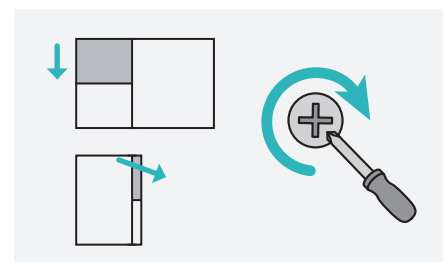
FOR CABINETS: Quest, Manu (Main Drawer)



Use a Phillips-head screwdriver to adjust via the screw circled above.



To adjust the drawer UP (backwards tilt) turn anti-clockwise.



To adjust the drawer DOWN (forward tilt) turn clockwise.

Remove the Drawers (if required)

FOR CABINETS: Amato, Edge Scandi, Edge Industrial, Fingerpull, Hampton

Removal

Fully extend the drawer.

Locate the grey tabs underneath the drawer. Pull out tabs until you hear a click.

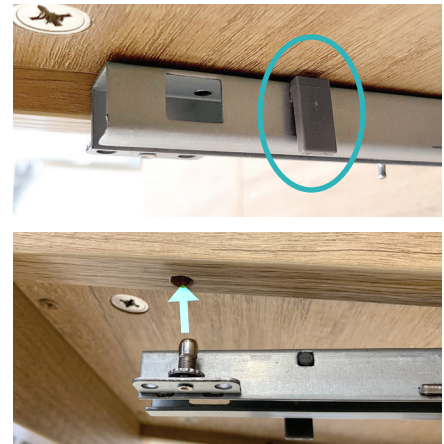
Lift the drawer up and out.

Re-fitting

Ensure both drawer runners are fully extended.

Slide the drawer onto the top of the runner ensuring that the holes drop down onto the screws as shown.

Push grey tabs back in until you hear them click into place.



FOR CABINETS: Quest, Manu (Main Drawer)

Removal

Remove 'fienza' cover tabs by popping them out with a flat head screwdriver.

NOTE: There are two tabs to remove for the 750 model, and four tabs for the 900 and 1200 models.

Lift all release buttons upwards simultaneously.

Remove the drawer by sliding up and out.

NOTE: The 900 and 1200 models require two people to lift the drawer.

Re-fitting

Refitting the drawer is easiest with two people. Ensure both drawer runners are fully extended.

Gently slide the drawer onto the runner until it clicks into place. All four runners may not click automatically into place. If this occurs, manually bring the runners forward until you hear them click into place.



FOR CABINETS: UniCab, Manu (Internal Drawers)

Removal

To remove, extend the drawer fully.

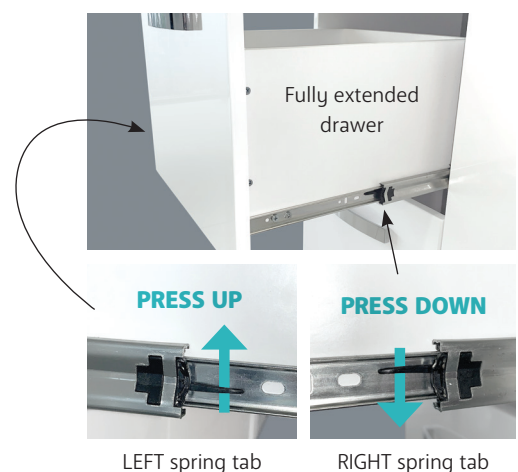
Press UP on the left-hand side spring tab, while simultaneously pressing DOWN on the right one at the same time. This will release the drawer from the runners allowing you to slide out the drawer.

NOTE: Do not try to remove the drawer without pressing the spring tabs simultaneously, as this will cause damage to the runners.

Re-fitting

Ensure both drawer runners are fully extended.

Press UP on the left spring tab and DOWN on the right spring tab simultaneously as you gently slide the drawer back onto the runner.



4. FIT THE TOP & SEAL CABINET (Vanity Cabinets)



For vanities, fit the top to the cabinet by sealing all four edges with a non-acidic silicone. **DO NOT** silicone timber tops to cabinets – refer to the instructions enclosed with the product.



Seal all cabinet edges against the floor and wall to prevent water penetration.

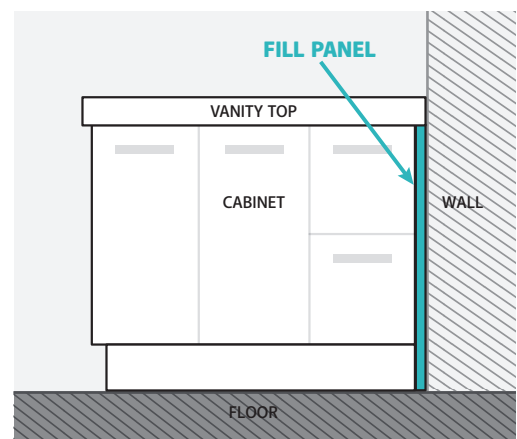


When fitting the basin waste, tighten by hand only, and then use silicone to seal. Overtightening of the waste may cause undue stress and damage the basin or top.

Installation Beside a Wall (Vanity Cabinets)

When installing the cabinet beside a wall, a fill panel can be used to fill the gap between the wall and the side of the cabinet. For short cabinets, the panel must be cut to size to suit the height from floor to the bottom edge of the vanity top.

STANDARD SIZE: 50 x 880 x 18mm (W x H x D)	
Finish	Item Code
Gloss White	F-BF18
Matte White	BF18MW
Scandi Oak	BF18S
Industrial	BF18X
Matte Black	BF18MB



Care & Cleaning

The best method of maintaining the finish is simply to wipe over with a clean, soft cloth. It is important that no abrasive cleaners or wax-based creams are used as this can result in a build-up of deposits/scratches that will detract from the appearance.

Scratches

Avoid contact with hard, sharp objects. Should scratches occur on **gloss lacquered cabinets**, fine marks can be removed using a cutting compound normally used for car re-treatment, followed by buffing with a car polish and a clean, soft cloth.

Chemical damage

Spills of some products such as hair lacquer, after-shave lotion, nail polish and remover, mineral turpentine, white spirit, kerosene, aerosol propellants and insecticides should be removed immediately by cleaning the product with a soft cloth.

Burns

Avoid placing hot objects, such as hair straighteners, curling tongs or lit cigarettes on any surface as these will cause discolouration and marking. Should slight accidental damage occur, it may be possible to remove marks with the same approach as for scratches (refer to 'Scratches' above).

Discolouration

Hair dye, bleaches, boot polish and similar chemicals will discolour the surface if not removed immediately. Provided the discolouration is not severe, restore the surface as described for scratches.

Warranty

At Fienza, we pride ourselves on manufacturing and supplying high quality bathroom products. Should you find fault with materials or workmanship within the warranty period listed below, Fienza will, at its discretion, repair or supply a replacement product or component.

Warranties for Domestic Use

The warranties below apply to domestic uses and applications of Fienza® products, such as private dwellings and retirement villages.

VANITY CABINETS & TALL BOYS	1 YEAR Labour for product fault. Does not include door and drawer adjustment. Does not include instances where faulty / damaged goods have already been installed, or mixer leak / burst hose has caused damage to cabinetry.
Vanities & Tallboys - CAB only	5 YEARS replacement parts or product
Handles, Legs, Drawer Runners	5 YEARS replacement parts
MIRRORS	No Labour included in warranty.
Mirror Cabinets - DOORS only	1 YEAR replacement parts or product
Mirror Cabinets - CAB only	5 YEARS replacement parts or product
Bevelled & Pencil Edge Mirrors	1 YEAR replacement parts or product

Warranties for Commercial Use

The warranties below apply to commercial uses and applications of Fienza® products, including, but not limited to: commercial food premises such as restaurants; commercial accommodation such as hotels; hospitals and healthcare facilities; public amenities; and industrial, laboratory and manufacturing facilities.

VANITY CABINETS & TALL BOYS	1 YEAR Labour for product fault. Does not include door and drawer adjustment. Does not include instances where faulty/damaged goods have already been installed, or mixer leak/ burst hose has caused damage to cabinetry.
Vanities & Tallboys - CAB only	1 YEAR replacement parts or product
Handles, Legs, Drawer Runners	1 YEAR replacement parts
MIRRORS	No Labour included in warranty.
Mirror Cabinets - DOORS only	1 YEAR replacement parts or product
Mirror Cabinets - CAB only	1 YEAR replacement parts or product
Bevelled & Pencil Edge Mirrors	1 YEAR replacement parts or product

Important Information

- Proof of Purchase is necessary to make a warranty claim.
- The warranty only applies to the original owner and is not transferable.
- Fienza will not be liable for any loss or damages caused by a defective product, only the product itself.
- The product must be installed by a licensed tradesman. Failure to do so voids warranty.
- The product must be installed according to the supplied instructions. Failure to do so voids warranty.
- These extended warranties are only available on products purchased after 1st May 2012.
- Do not store Oxidising Chemicals inside vanity cabinets (it can cause mixer hoses to burst).

Warranty Conditions

Please view full warranty conditions on our website:

<https://fienza.com.au/warranties-returns/>

Warranty Limitations

To the extent permitted under the Trade Practices Act and other relevant legislation, Fienza's liability is limited to:

- The cost of replacing the goods, or
- The cost of obtaining equivalent goods, or
- The cost of having the goods repaired
- Fienza is not responsible for any lack of operation or performance of goods (or any loss or damage) where goods are used or adapted for a with other goods not supplied by Fienza.
- It is the responsibility of the customer and installer before installation to ensure are correct and free of obvious visible faults.
- Fienza is not responsible for the labour and rectification costs incurred in the above circumstance.

Conditions for On-Site Warranty Service Calls

Fienza will charge a service fee for each visit to an installation by its technician where it is determined that the fault is due to poorly executed or unlicensed installation work or where the product is not a genuine Fienza product or where the product is outside the warranty period. This may be paid in advance by credit card over the phone to a Fienza technician attending the site and will be refunded if the Fienza product is found to be at fault.