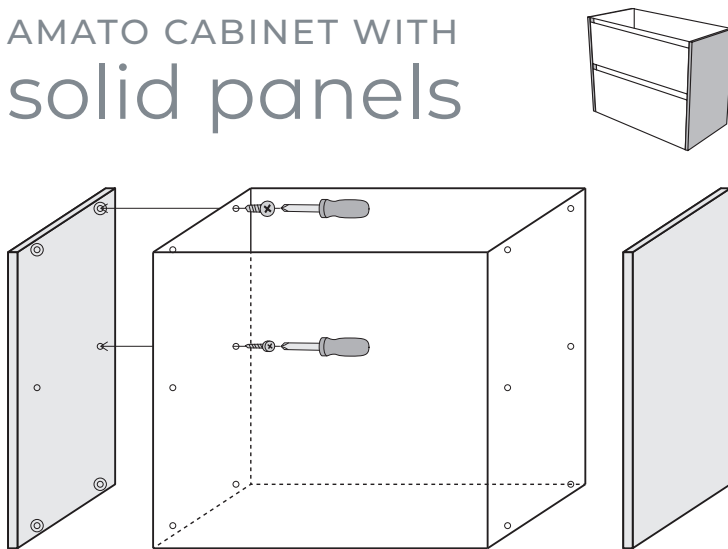


amato

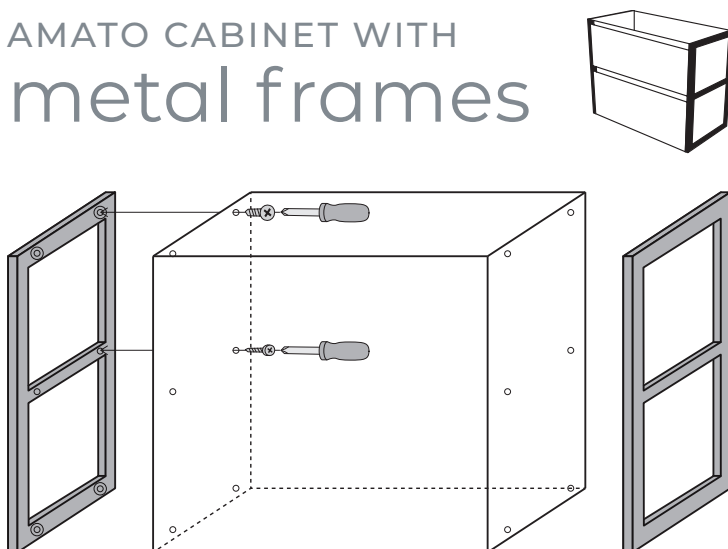
VANITY CABINETS

BEFORE INSTALLATION: PLEASE CHECK ALL COMPONENTS CAREFULLY. IF COMPONENTS ARE INCORRECT, FAULTY OR DAMAGED, DO NOT PROCEED WITH INSTALLATION. CONTACT FIENZA IMMEDIATELY. INSTALLATION IS ACCEPTANCE OF GOODS AND WILL VOID WARRANTY.

AMATO CABINET WITH solid panels



AMATO CABINET WITH metal frames



IMPORTANT

AMATO side panels or metal frames must be installed on the main body of the cabinet **BEFORE** mounting the cabinet to the wall.

ATTACHING PANELS OR FRAMES

1. Line up the side panel or metal frame to the side of the cabinet.
2. The screw holes are located inside the cabinet (see diagrams opposite).
3. Using the supplied screws and a Phillips head screwdriver, attach the side panels or metal frames to the main body of the cabinet. Take care not to overtighten the screws as this may cause damage.