

Munich

MU126BTW (Pan: MU126BTW / Seat: MU1263SC / Flush Plate - Refer code below when ordering)
MU126RDPPCR, MU126SQPPCR, MU126RDPPBK, MU126SQPPBK
 Wall Faced Toilet Suite



MU126RDPPCR



MU126SQPPCR



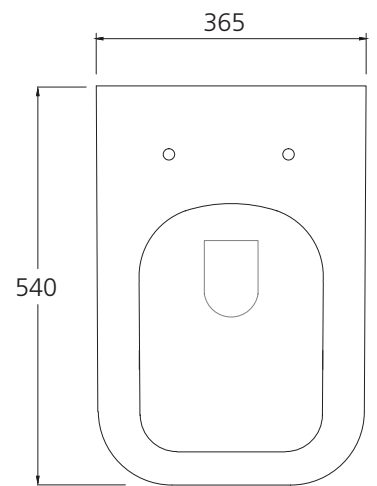
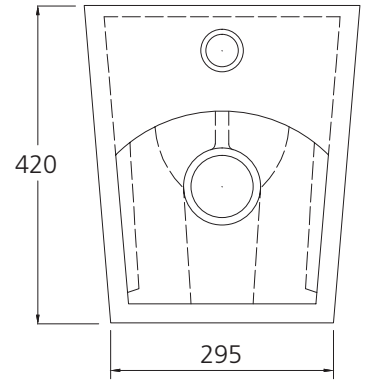
MU126RDPPBK



MU126SQPPBK



*Specify flush plate code when ordering.



Specifications /

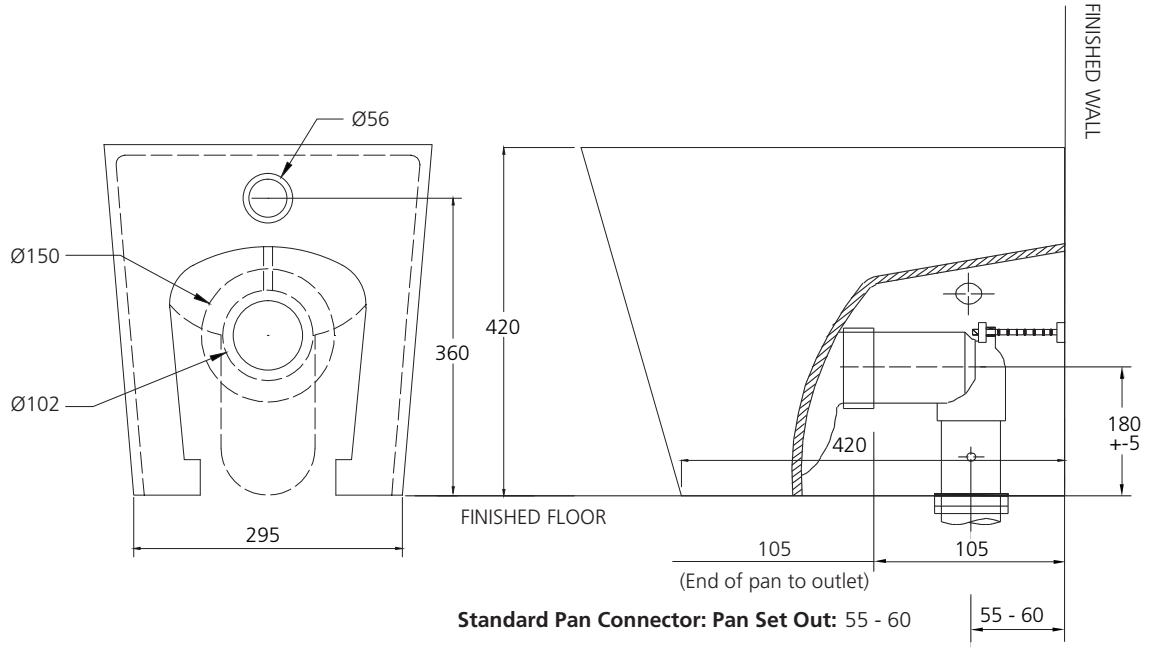
WELs Rating	4 star, 3.5L avg flush volume
Pan	Box rimless design
Trap(s)	Universal trap for S or P-trap installations. S-trap set out 55mm-60mm as standard. P-trap set out 185mm floor to centre of outlet. Optional S-trap set out 110mm-115mm (SPB0202)
Cistern	Geberit Sigma8 dual flush cistern (4.5L/3L)
Fixing	The toilet is fixed with a Geberit concealed water tank in wall.
Seat	Soft close and quick release toilet seat is provided as standard. Compression moulded toilet seat, fitted with buffers and metal hinges.
Colours	White (with chrome or black flush plate)
Installation	The installation of the toilet suite shall be in accordance with the normal minimum drain line grade requirements in AS/NZS 3500.2.
Materials	Vitreous china
Weight	33.7kg
Parts list	Square seat cover, hinge, decorative cover, S-trap connector, seal ring, fixing plate, fixing screw, floor fixing screw
Warranty	10 years vitreous china cistern and pan replacement of product; 2 years valves, fittings and seat; 1 year seals and labour (refer to oliveri.com.au/service-and-warranty-au)
Maintenance and care instructions	All surfaces should be cleaned with mild liquid detergent or soap and water. Do not use cream cleaners or citrus based cleaning products, as they are abrasive. Use of unsuitable cleaning agents may damage the surface. Any damage caused in this way will not be covered by warranty.

Munich

SET OUT DRAWING

All dimensions in mm

MU126BTW (Pan: MU126BTW / Seat: MU1263SC / Flush Plate - Refer code below when ordering)
MU126RDPPCR, MU126SQPPCR, MU126RDPPBK, MU126SQPPBK
 Wall Faced Toilet Suite



OPTIONAL SET OUT DRAWING

