



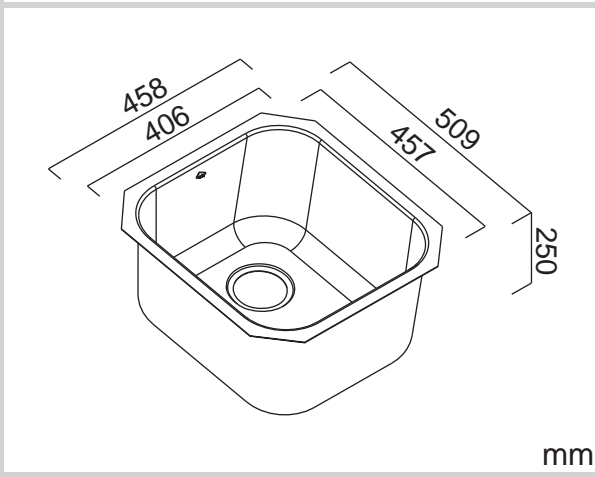
Model Code: LTS45UX

Included Accessories

		
UMG8	6020	

Optional Accessories

Dimensions



Specifications

Description	Single bowl, Undermount sink
Overall Sink Size	458mm x 509mm x 250mm deep
Bowl Dimensions	406mm x 457mm x 250mm deep
Drainer Length	N/A
Technic	Pressed
Material	Stainless steel SUS304

Installation

Fixings	Undermount clips supplied
Template	Supplied
Min Cabinet Size	500mm
Waste Holes	1 x 90mm round Compatible with waste disposal
Sealing Strip	N/A

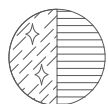
Plumbing

Waste Fittings	1 x (90mm x 2") basket waste included
Overflow	Available, conditions apply

Packaging

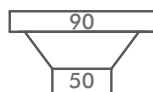
Carton Type	EPS protection & carton
Gross Weight	22.82Kg
Carton Size	558mm x 505mm x 500mm
Pack QTY	5

SURFACE FINISH



Silk|Brush

WASTE KIT

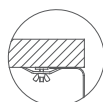


MATERIAL



Stainless Steel

INSTALLATION OPTIONS



Undermount

PROFILE

Abey are Australia's leaders in sinkware, designing and manufacturing to the world's highest quality specifications as well as sourcing and bringing you Europe's very best, leading edge designs – practical, affordable, inspirational, stylish, timeless or cutting edge. When you buy an Abey stainless steel sink you receive the highest quality and 25 year warranty. Abey and the manufacturer are continually seeking ways to improve the design specifications, aesthetic and production techniques of the products. As a result, alterations to the specifications and dimensions of the products and designs occur continually.