

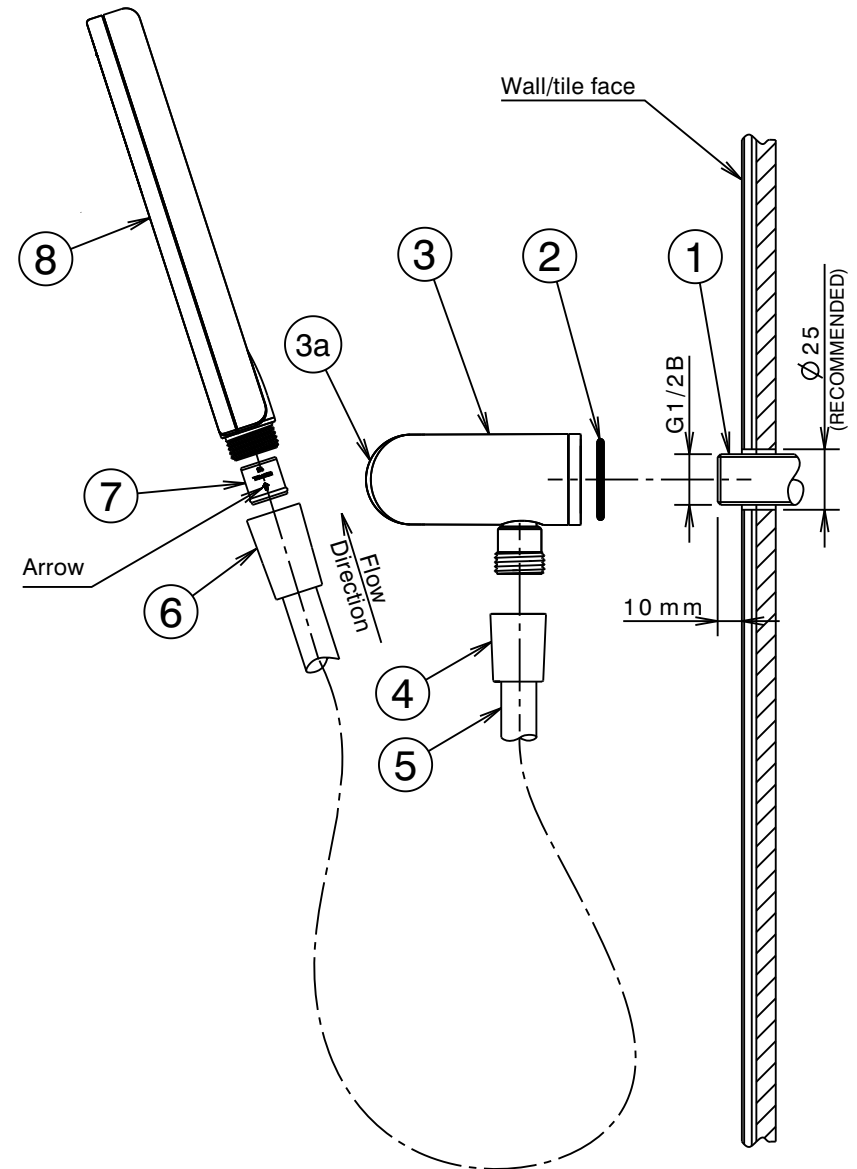
PLUMBERS INSTALLATION INSTRUCTIONS

Important

- * For warranty details refer to www.clark.com.au
- * The hand shower (8) is fitted with a single flow regulated check valve (7). Additional backflow prevention may be required if installing over a bath or other receptacle.
Note: Warranty is void if check valve (7) is not installed as shown.
- * Not suitable for gravity feed systems.
- * The flow of water from the handshower is regulated. This lower flow rate may not be suitable for connection to some gravity fed Water Heaters, low pressure supply networks, Instantaneous Water Heaters, Tempering Valves, Solar Water Heaters & Thermostatic Mixing Valves. Check with the manufacturers of these products.
- * All pipework must be thoroughly flushed prior to installation, as foreign materials may block the flow regulating device and reduce the flow of water.

Installation

- 1) Check that threaded nipple (1) is the correct length as shown. Cut to length if required ensuring end face is square. Apply thread tape to the thread.
Important: Care must be taken that thread tape cannot become dislodged and block the flow regulating device, causing a reduction in water flow
- 2) Fit seal (2) into groove into base of wall elbow (3) then screw the wall elbow onto the threaded nipple (1) and position so that the hose (5) will hang vertically down and handshower holder (3a) is horizontal. **DO NOT OVERTIGHTEN.**
- 3) Ensure that check valve (7), is in position in hand shower (8) as shown. Screw the shorter conical nut (4) of the shower hose (5) onto the wall elbow (3) & tighten. Connect the remaining conical nut (6) of the shower hose (5) onto the handshower (8) & tighten. Place handshower into slider bracket with shower hose hanging freely. Handshower holder inclination angle is adjustable by pivoting.
Important: If water does not flow from handshower (8) make sure that check valve (7) is installed with the arrow pointing in the direction of flow.



IMPORTANT	
<u>Pressure & Temperature Requirements.</u>	
<ul style="list-style-type: none"> • Hot and cold water inlet pressures should be equal. • Static inlet static pressure range : 150 -1000 kPa New Regulation :-500 kPa maximum operating pressure at any outlet within a building.(Ref. AS/NZS 3500.1) • Maximum hot water temperature : 80°C. 	
<u>Installation Requirements.</u>	
<ul style="list-style-type: none"> • The installing plumber is responsible for waterproofing all penetrations for Taps in Shower areas at installation by a proprietary flange system or a sealant.(Ref AS3740) 	