

## SQUARE HAND WALL BASIN INSTALLATION INSTRUCTIONS PLEASE READ CAREFULLY BEFORE INSTALLATION

### IMPORTANT

Provide suitable reinforcement behind finished wall for the D.200 Basin Fixing Kit at the fixing height position.

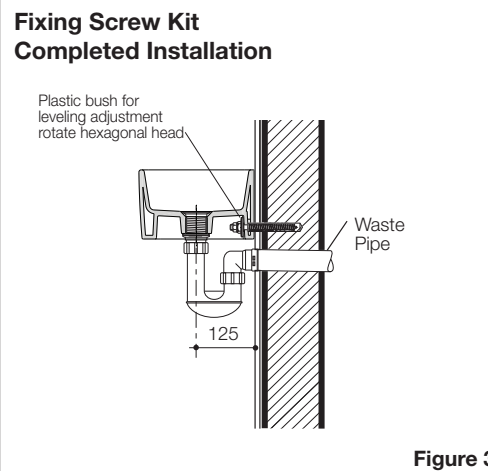
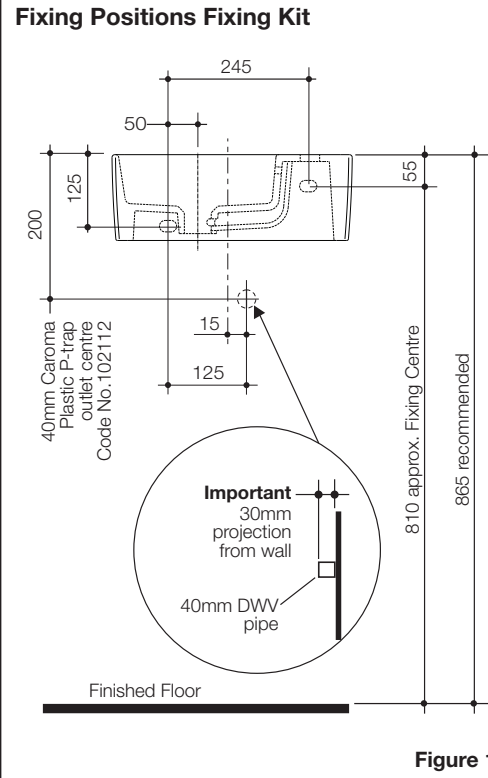
### Roughing in for D.200 Basin Fixing Kit:

For timber stud walls, noggins and studs must be positioned at a height to allow for the location of fasteners as detailed in **Figure 1**.

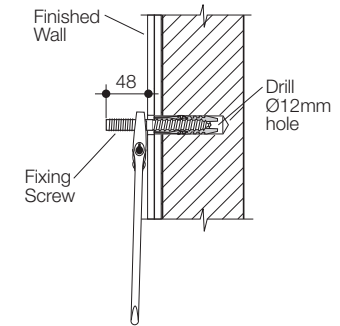
### BASIN INSTALLATION WITH D.200 BASIN FIXING KIT

- 1- Mark upper fixing screw hole position on finished wall at the recommended height as detailed in **Figure 1**.  
**Note: Only mark the upper fixing screw hole position**, second lower fixing screw hole to be marked in step 4.
- 2- *For masonry wall installation:* Drill two Ø12mm holes for Expansion Fasteners.  
*For timber stud wall installation:* Drill two Ø8mm holes for Fixing Screws.
- 3- Insert Expansion Fastener into the drilled hole in masonry wall. The Fixing Screw should be screwed into the wall using the flat section of the Fixing Screw, with a spanner as shown in **Figure 2**. Allow 48 mm of thread to protrude from the finished wall.
- 4- Mount the basin, level and mark the lower fixing screw hole position. Repeat steps 2 and 3.
- 5- Locate basin onto the Fixing Screws on the wall. Insert the Plastic Bush, Metal Washer and Nut onto the **right-hand** Fixing Screw first. Leave the Nut loose so that the left-hand side of the basin can be eased away from the wall slightly so that the left-hand Bush, Metal Washer and Nut can be located. Once both Nuts are engaged onto the Fixing Screws, level the basin and tighten to complete the assembly as detailed in **Figure 3**.
- 6- The Plastic Bush allows for leveling adjustment if required by rotating the hexagonal head bush, the basin will be slightly raised or lowered as shown in **Fig. 3**.
- 7- Fit taps and waste assembly to the basin.
- 8- Tighten Fixing Nuts and connect plumbing to complete the installation.

All measurements are subject to accepted manufacturing tolerances.  
To ensure accuracy please check actual product dimensions before drilling for installation.  
The manufacturer reserves the right to change specifications at any time without giving prior notification.  
This product should be installed by a qualified plumber. Local authority, Water Board, and Building Regulations may apply to the installation of this product, and you should consult the appropriate bodies on these requirements.



### Fixing Screw Masonry Walls Installation



### Fixing Screw Timber Stud Walls Installation

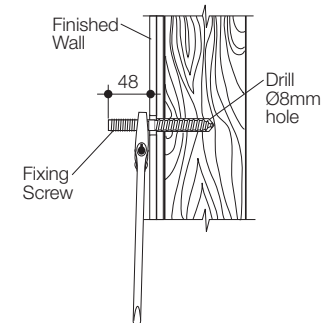


Figure 2

### Basin Fixing Screw Kit

#### D.200 Basin Fixing Kit

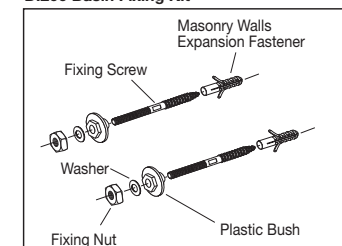


Figure 4