

PLUMBERS INSTALLATION INSTRUCTIONS

Installation

- 1) Check that the face of the recess tap body (1) is between 0–13mm from the wall/tile face, as shown in Fig.1
- 2) Check seats in recess tap bodies (1) are in good condition and free of foreign materials. Reseat if required.
Important : All pipework must be thoroughly flushed prior to installation, to remove all foreign matter.
- 3) Fully open tap spindle (3) in tap head assembly (2). Ensure fibre washer and jumper valve are in position as shown.
- 4) Screw tap head assembly (2) into recess tap body (1) by hand and tighten using suitable tube spanner.
- 5) Screw flange (5) onto plastic insert (4) then screw on wall the assembly and tighten fully by hand against wall/tile face taking care not to damage the decorative finish.
- 6) Fit handle assembly as follows:–
i) Turn both spindles to the fully off position
ii) Fit handle (6) directly onto spindle (3).
iii) Fit handle button (7) to spindle (3) and tighten firmly against handle (6), using spanner (8) provided.
- 7) Check that threaded nipple (9) is the correct length, as shown. Cut to length if required ensuring end face is square. Apply thread tape to the thread. Screw the bath outlet (10) onto the threaded nipple (9) and position as required. DO NOT OVERTIGHTEN.

IMPORTANT
<u>Pressure & Temperature Requirements.</u>
<ul style="list-style-type: none"> • Hot and cold water inlet pressures should be equal. • Inlet pressure range : 150 –1000 kPa New Regulation : –500 kPa maximum operating pressure at any outlet within a building. (Ref. AS/NZS 3500.1–2003, Clause 3.3.4) • Maximum hot water temperature : 80°C.

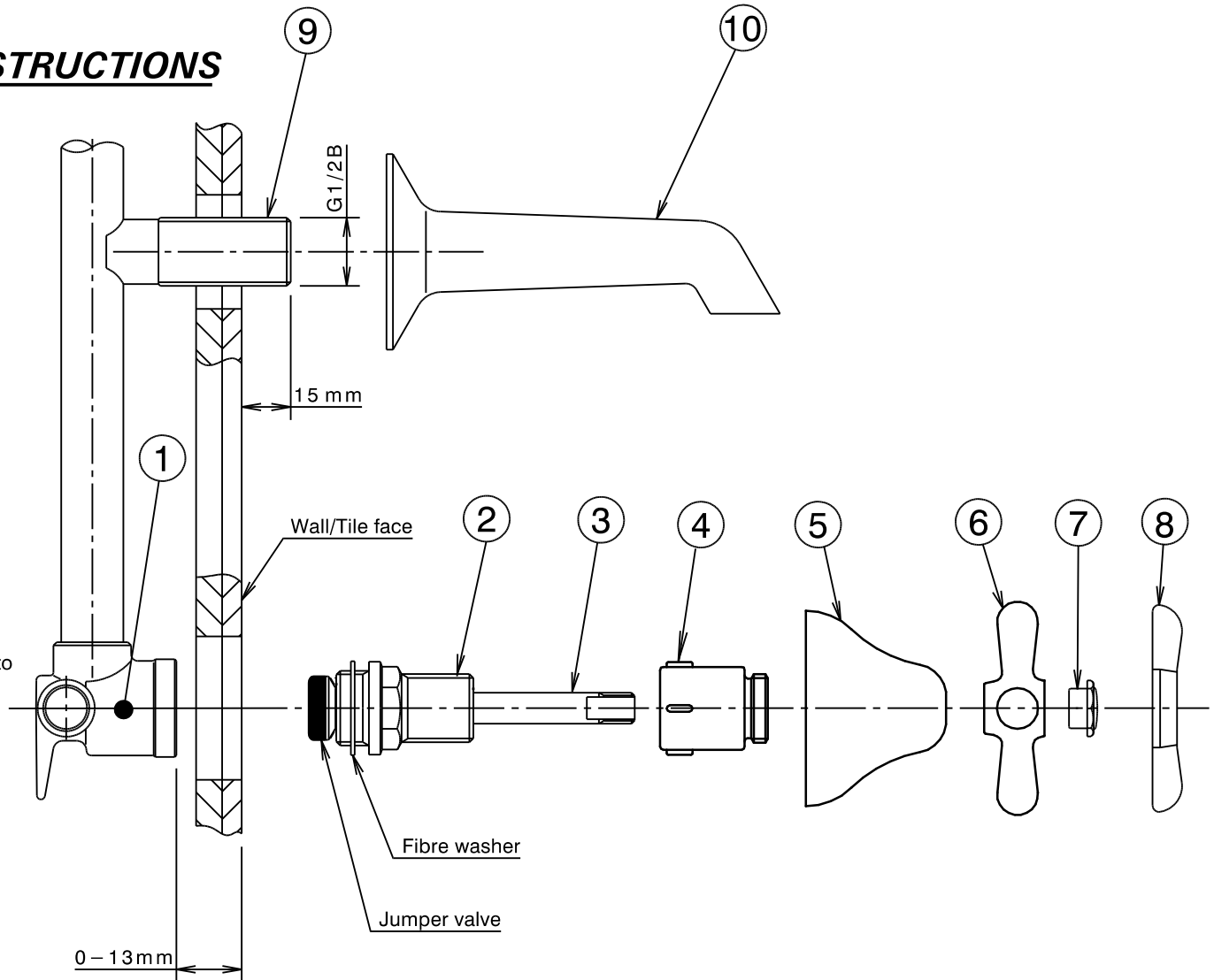


Fig. 1