

PLUMBERS INSTALLATION INSTRUCTIONS

VITREOUS CHINA FLORA 500 SHROUD

PLEASE READ CAREFULLY BEFORE INSTALLATION

Shroud Installation with D.200 Fixing/Anchor Screw Kit

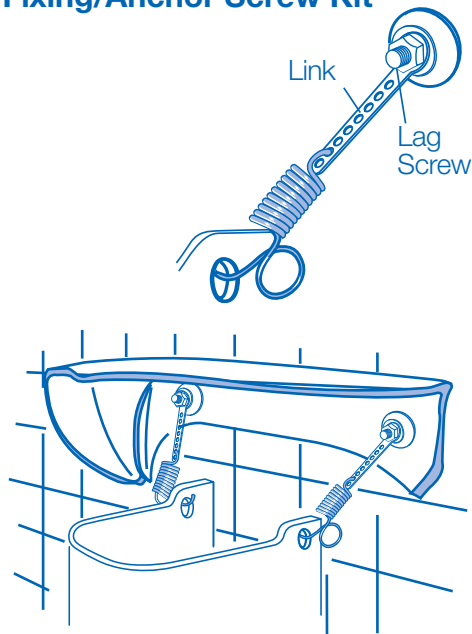
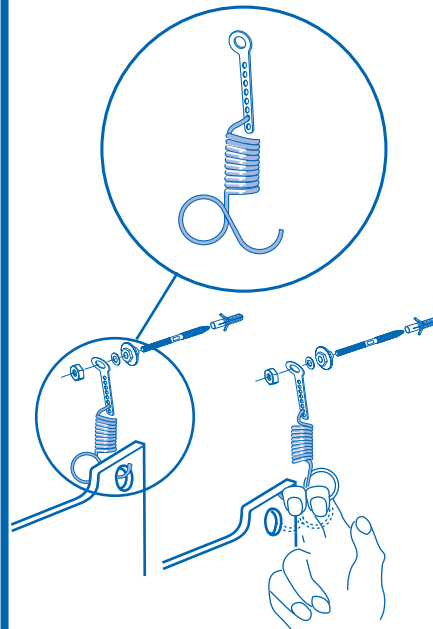
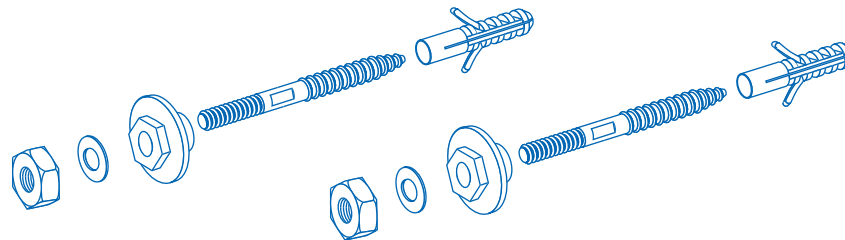


Fig.1

D.210 Concealed Fixing Clip Assembly (Supplied)



D.200 Basin/Lavatory Fixing/Anchor Screw Kit



Installation Procedure

- 1- Fix the D.200 Fixing/Anchor Screw Kit using installation instructions, printed on basin/lavatory carton.
- 2- Assemble fixing springs (supplied) to links and secure to the D.200 Fixing/Anchor Screw Kit with the nuts and washers, as detailed in **Figure 1**.
- 3- Ensure basin/lavatory is secured and plumbing is connected.
- 4- Position shroud to underside of basin/lavatory and pull down springs with two fingers as illustrated to locate into holes at the side of the shroud, as detailed in **Figure 2**.
- 5- Check shroud is tensioned and secured against basin/lavatory. The tension of the spring is adjusted by moving its location in the holes in the link. In situations where upper holes are used, the length of the links can be shortened by cutting off the holes not required.