



# CARVELLE 550 WALL HUNG BASIN/PEDESTAL INSTALLATION INSTRUCTIONS

## PLEASE READ CAREFULLY BEFORE INSTALLATION

### THESE INSTRUCTIONS SUPERSEDE INSTRUCTIONS PRINTED ON THE CARTON

#### IMPORTANT

Provide suitable reinforcement behind finished wall for the basin D.200 Basin/Lavatory Fixing Kit at the specified height position. For installation with pedestal the procedure for, **Installation with Pedestal using D.200 Basin/Lavatory Fixing Kit** must be followed with reference to Fig. 4.

#### Roughing in for Wall Hung Basin/Lavatory:

For timber stud walls, noggins and studs must be positioned at a height to allow for the location of fasteners, as detailed in Fig. 1. When installing a shroud, position water inlet connections, as detailed in Fig. 1.

#### INSTALLATION WITHOUT PEDESTAL USING D.200 BASIN/LAVATORY FIXING KIT

- 1- Mark fixing screw hole position on finished wall at the recommended height as detailed in Fig. 1.
- 2- Drill two  $\varnothing 12\text{mm}$  ( $1\frac{1}{2}''$ ) holes in masonry wall for expansion fasteners. For timber stud walls drill two  $\varnothing 8\text{mm}$  ( $\frac{3}{8}''$ ) holes for Fixing Screws.
- 3- Insert expansion fasteners into the drilled holes in masonry wall. Screw fixing screws into the wall using the flats located on the screws section of the stud and spanner as shown in Fig. 2. Allow 50mm ( $2''$ ) of thread to protrude from the finished wall.
- 4- Fit taps/faucets and waste/drain assembly to the basin.
- 5- Locate basin/lavatory onto the Fixing Screws on the wall. Insert plastic bushes, metal washers and fasten to wall with fixing nut. To complete assembly as detailed in Fig. 3.
- 6- The Plastic Bush allows for levelling adjustment if required by rotating the hexagonal head bush, the basin will be slightly raised or lowered as shown in Fig. 3.
- 7- Tighten fixing nuts and connect plumbing to complete the installation.

#### SHROUD INSTALLATION

For installations using the D.200 Basin/lavatory Fixing Kit, locate links on to fixing screws and fit fixing springs.

- 1- Ensure basin/lavatory is secured to bracket and plumbing is connected.
- 2- Position shroud to underside of basin/lavatory and pull down springs with two fingers to locate into holes at the side of the shroud.

- 3- Check shroud is tensioned and secured against basin/lavatory. The tension of the spring is adjusted by moving its location in the hole in the link.

#### Roughing in for Pedestal Basin/lavatory

**\* IMPORTANT-**For timber stud walls, noggins and stud must be positioned at a height to allow for the location of fasteners, as detailed in Fig. 4. For optimum basin/lavatory-pedestal installation, the basin/lavatory must be positioned over the pedestal to determine the height position for the D.200 basin/lavatory fixing kit and waste/drain pipe floor/wall position, as detailed in Fig. 4.

#### INSTALLATION WITH PEDESTAL USING D.200 BASIN/LAVATORY FIXING KIT

- 1- Mark fixing screw hole position on finished wall at the height as determined above, approximately 790mm as detailed in Fig. 4. Position basin/lavatory over pedestal and check fixing centres and waste/drain pipe centres. Adjust if necessary.
- 2- Drill two  $\varnothing 12\text{mm}$  ( $1\frac{1}{2}''$ ) holes in masonry wall for expansion fasteners. For timber stud walls drill two  $\varnothing 8\text{mm}$  ( $\frac{3}{8}''$ ) holes for Fixing Screws.
- 3- Insert expansion fasteners into the drilled holes in masonry wall. Screw fixing screws into the wall using the flats located on the screws section of the stud and spanner as shown in Fig. 2. Allow 50mm ( $2''$ ) of thread to protrude from the finished wall.
- 4- Fit taps/faucets and waste/drain assembly to the basin/lavatory.
- 5- Locate the basin/lavatory over the pedestal onto the fixing screws on the wall. Insert plastic bushes, metal washers and fasten to the wall with the fixing nuts to complete the assembly.
- 6- The plastic bushes allow for levelling of the basin if required by rotating the hexagonal head bush, the basin/lavatory will be slightly raised or lowered.
- 7- Tighten the fixing nuts and connect plumbing to complete the installation.
- 8- The pedestal should be bedded with an acetic cured silicone sealant and fixed to the floor with screws, cup washer and plastic plugs provided.

#### Wall Hung Basin D.200 Basin Fixing Kit

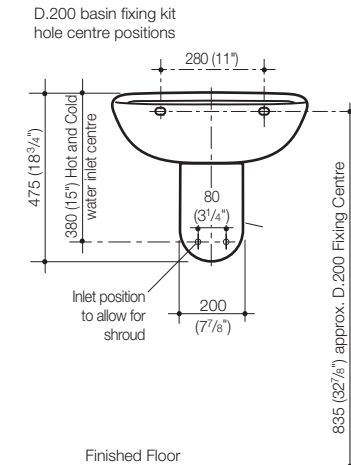
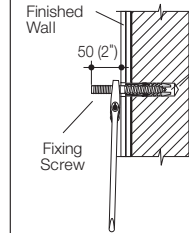
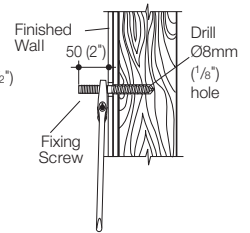


Fig. 1

#### Fixing Screw Masonry Walls Installation



#### Fixing Screw Timber Stud Walls Installation



#### D.200 Basin Fixing Kit

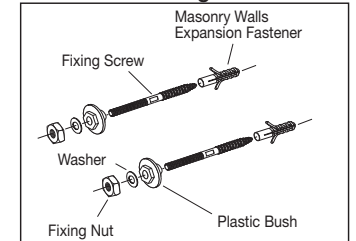


Fig. 2

#### D.200 Basin Fixing Kit Completed Installation

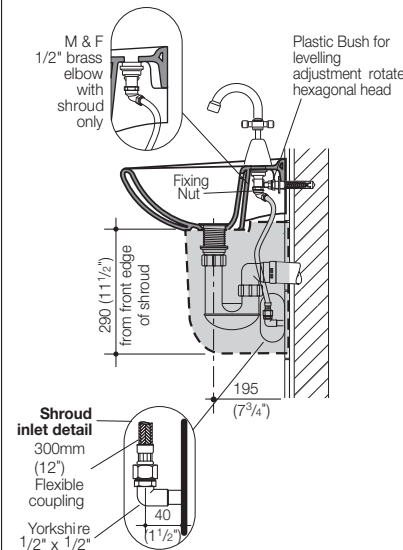


Fig. 3

#### Pedestal Wall Basin Installation

##### Waste pipe floor position

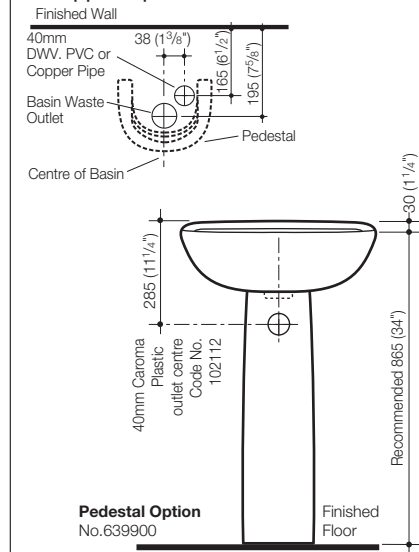


Fig. 4

All measurements are subject to accepted manufacturing tolerances. To ensure accuracy please check actual product dimensions before drilling for installation. The manufacturer reserves the right to change specifications at any time without giving prior notification. This product should be installed by a qualified plumber. Local authority, Water Board, and Building Regulations may apply to the installation of this product, and you should consult the appropriate bodies on these requirements.

Date of Issue: 28.11.11

Issue No: 6