

# Seats

## Colani

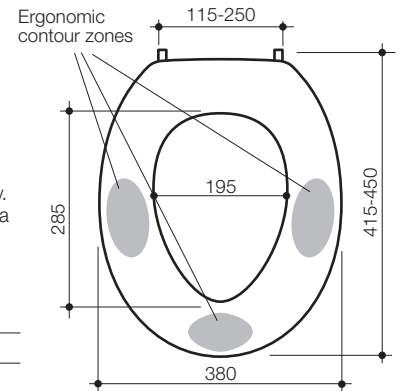


### Colani - Single Flap (Caroma White)

A specialised seat recommended for people with disabilities, gentle curves and ergonomic contour zones provides optimum support and stability for the pelvic region. The design is particularly suitable for people suffering from progressive muscular dystrophy. Special rotatable buffers are incorporated to give extra stability during side way transfers.

**Colour:** Caroma white (luminance = 79)

Colani Rehabilitation Seat	Code No.:
Single Flap, blind fixed hinge	813010W

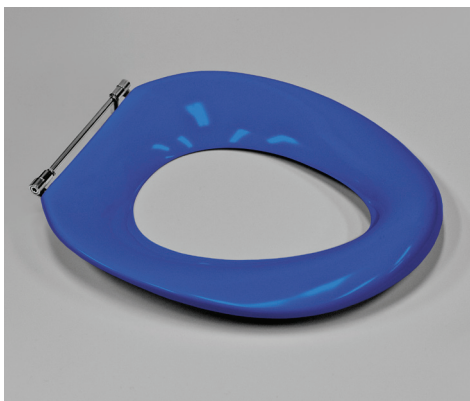
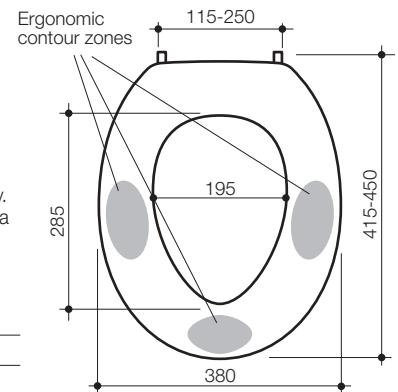


### Colani - Double Flap (Caroma White)

A specialised seat recommended for people with disabilities, gentle curves and ergonomic contour zones provides optimum support and stability for the pelvic region. The design is particularly suitable for people suffering from progressive muscular dystrophy. Special rotatable buffers are incorporated to give extra stability during side way transfers.

**Colour:** Caroma white (luminance = 79)

Colani Rehabilitation Seat	Code No.:
Double Flap, blind fixed hinge	813100W

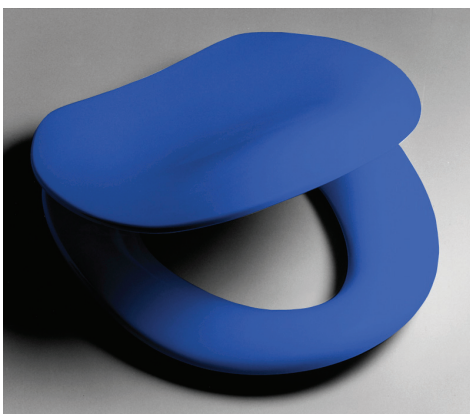
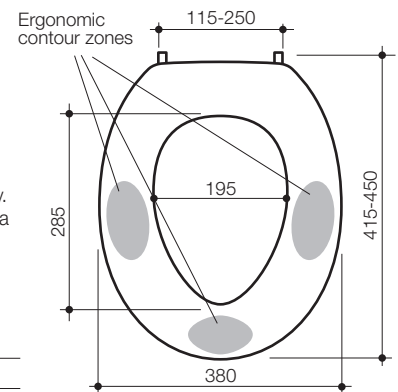


### Colani - Single Flap (Sorrento Blue)

A specialised seat recommended for people with disabilities, gentle curves and ergonomic contour zones provides optimum support and stability for the pelvic region. The design is particularly suitable for people suffering from progressive muscular dystrophy. Special rotatable buffers are incorporated to give extra stability during side way transfers.

**Colour:** Sorrento Blue (luminance = 7). Luminance contrast against Caroma white toilet suite is +80%.

Colani Rehabilitation Seat	Code No.:
Single Flap, blind fixed hinge	813010SB

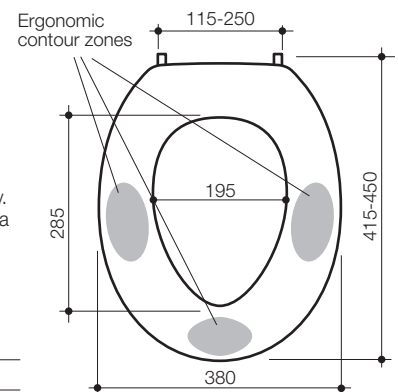


### Colani - Double Flap (Sorrento Blue)

A specialised seat recommended for people with disabilities, gentle curves and ergonomic contour zones provides optimum support and stability for the pelvic region. The design is particularly suitable for people suffering from progressive muscular dystrophy. Special rotatable buffers are incorporated to give extra stability during side way transfers.

**Colour:** Sorrento Blue (luminance = 7). Luminance contrast against Caroma white toilet suite is +80%.

Colani Rehabilitation Seat	Code No.:
Double Flap, blind fixed hinge	813100SB



**Seats**

**Colani**  
**Pedigree II Care**  
**Caravelle Care**

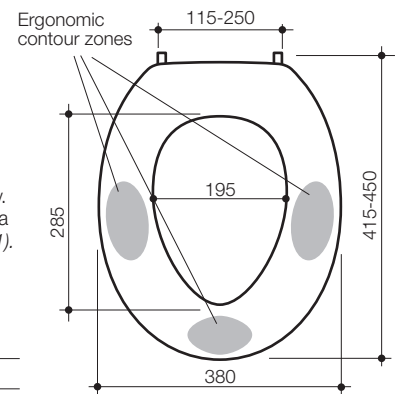


**Colani - Single Flap (Majestic Grey)**

A specialised seat recommended for people with disabilities, gentle curves and ergonomic contour zones provides optimum support and stability for the pelvic region. The design is particularly suitable for people suffering from progressive muscular dystrophy. Special rotatable buffers are incorporated to give extra stability during side way transfers. (Available late 2011).

**Colour:** Majestic Grey (luminance = 43). Luminance contrast against Caroma white toilet suite is +30%.

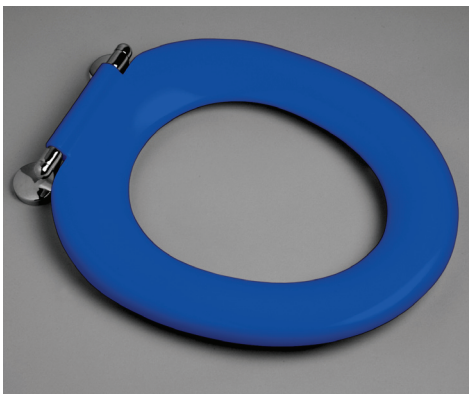
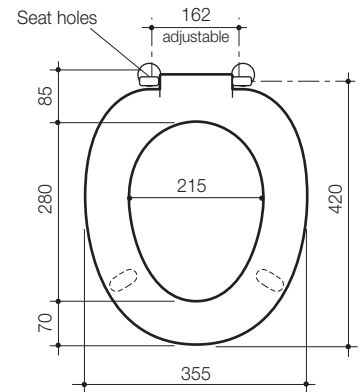
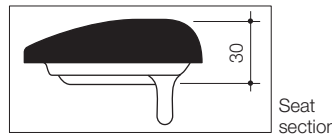
Colani Rehabilitation Seat	Code No.:
Single Flap, blind fixed hinge	813010MG



**Pedigree II Care - Single Flap (Caroma White)**

A specialised single flap seat designed for people with ambulant disabilities. Features die cast metal hinges, heavy duty solid axle hinge and rotatable buffers for extra stability during sideways transfers. Blind fixings standard. Code No.320030W.

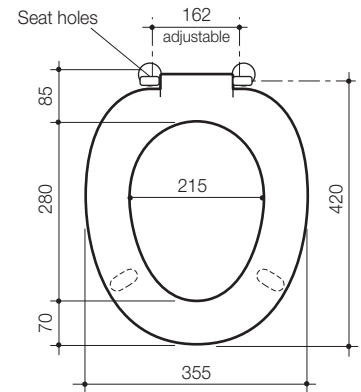
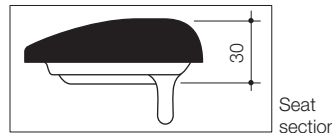
**Colour:** Caroma white (luminance = 79)



**Pedigree II Care - Single Flap (Sorrento Blue)**

A specialised single flap seat designed for people with ambulant disabilities. Features die cast metal hinges, heavy duty solid axle hinge and rotatable buffers for extra stability during sideways transfers. Blind fixings standard. Code No.320030SB.

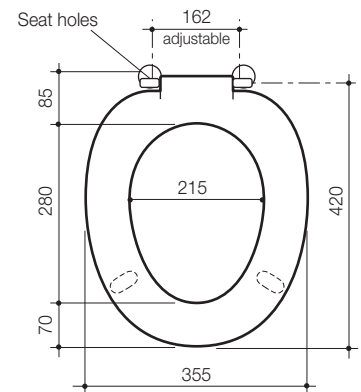
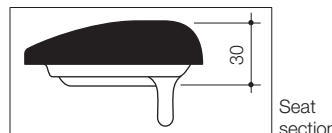
**Colour:** Sorrento Blue (luminance = 7). Luminance contrast against Caroma white toilet suite is +80%.



**Pedigree II Care - Single Flap (Majestic Grey)**

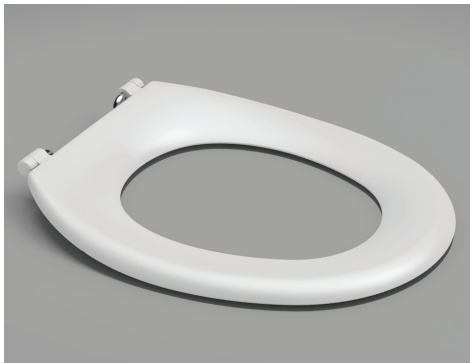
A specialised single flap seat designed for people with ambulant disabilities. Features die cast metal hinges, heavy duty solid axle hinge and rotatable buffers for extra stability during sideways transfers. Blind fixings standard. Code No.320030MG. (Available late 2011).

**Colour:** Majestic Grey (luminance = 43). Luminance contrast against Caroma white toilet suite is +30%.



**Seats**

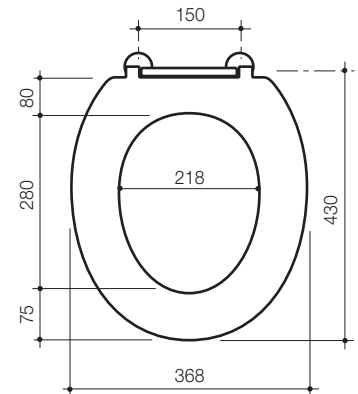
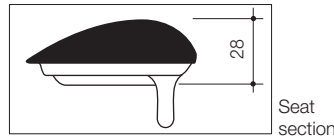
**Caravelle Care**



**Caravelle Care  
- Single Flap (Caroma White)**

A specialised seat available in single flap version designed for people with ambulant disabilities. Featuring solid stainless steel hinges, rotatable buffers for extra stability during sideways transfers. Blind Fixings standard. Single flap Code No.322012W.

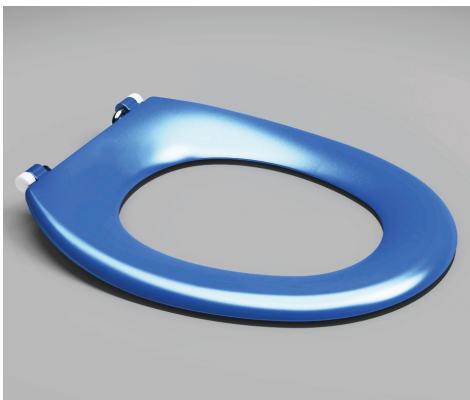
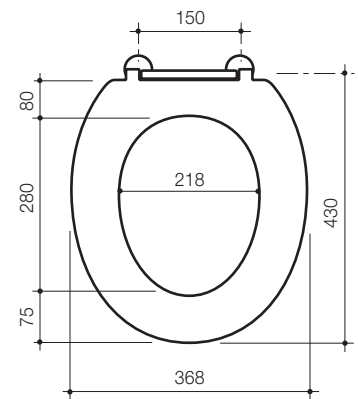
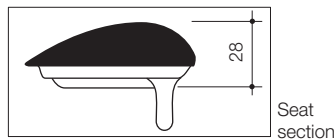
**Colour:** Caroma white (luminance = 79)



**Caravelle Care  
- Double Flap (Caroma White)**

A specialised seat available in a double flap version designed for people with ambulant disabilities. Featuring solid stainless steel hinges, rotatable buffers for extra stability during sideways transfers. Blind Fixings standard. Double flap Code No.322020W.

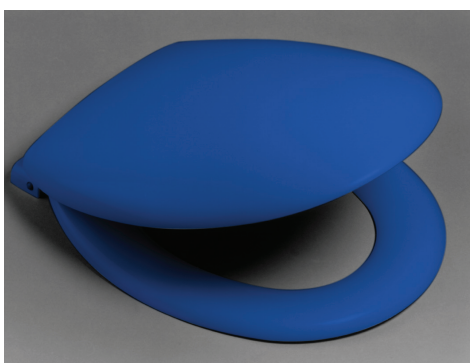
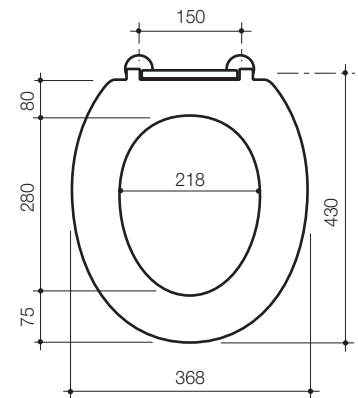
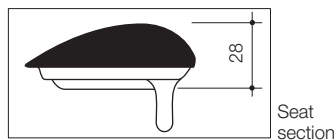
**Colour:** Caroma white (luminance = 79)



**Caravelle Care  
- Single Flap (Sorrento Blue)**

A specialised seat available in single flap versions designed for people with vision impaired or dementia. Featuring solid stainless steel hinges, rotatable buffers for extra stability during sideways transfers. Blind Fixings standard. Single flap Code No.322012SB.

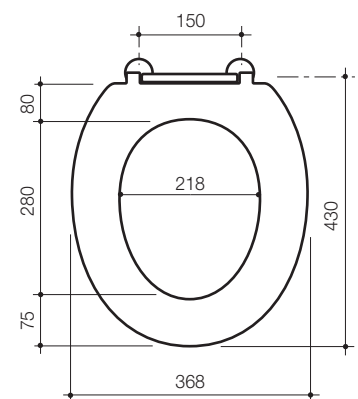
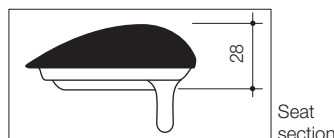
**Colour:** Sorrento Blue (luminance = 7). Luminance contrast against Caroma white toilet suite is +80%.



**Caravelle Care  
- Double Flap (Sorrento Blue)**

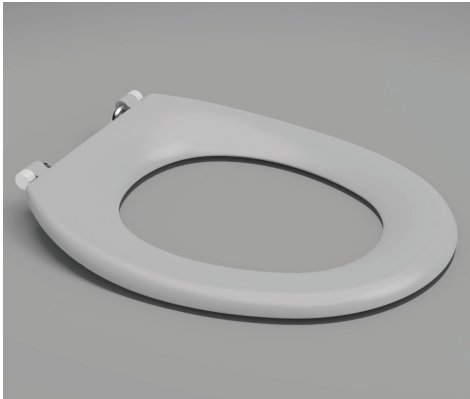
A specialised seat available in a double flap version designed for people with vision impaired or dementia. Featuring solid stainless steel hinges, rotatable buffers for extra stability during sideways transfers. Blind Fixings standard. Double flap Code No. 322020SB.

**Colour:** Sorrento Blue (luminance = 7). Luminance contrast against Caroma white toilet suite is +80%.



**Seats**

**Caravelle Care**



**Caravelle Care  
- Single Flap (Majestic Grey)**

A specialised seat available in single flap version designed for people with ambulant disabilities. Featuring solid stainless steel hinges, rotatable buffers for extra stability during sideways transfers. Blind Fixings standard. Single flap Code No.322012MG. (Available late 2011).

**Colour:** Majestic Grey (luminance = 43). Luminance contrast against Caroma white toilet suite is +30%.

