

# caroma® Slimline Restricted Single Flush (4L) Cistern

## Installation Instructions

\* This Cistern must be installed in accordance with AS/NZS 3500.1

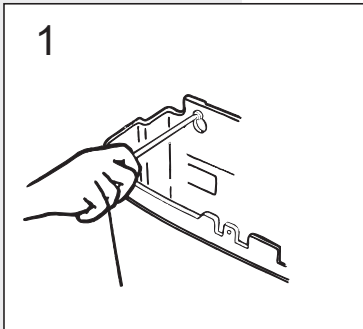
Customer Helpline:

13 1774 (Australia)

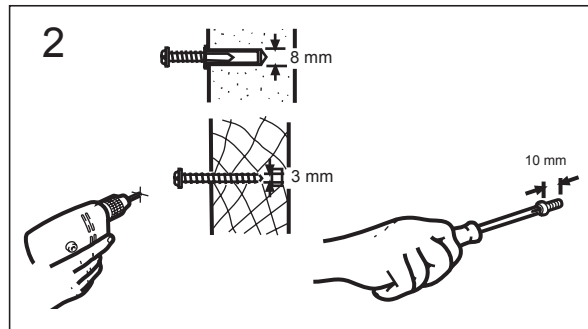
This cistern has been configured to flush 4L max, suitable for two stall urinals.

This cistern is supplied with a right hand inlet. This can be changed to left hand by swapping the inlet valve over.

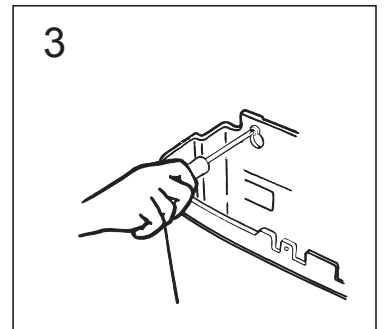
All cisterns are factory tested but because water pressures vary, the water level must be set by the installer.



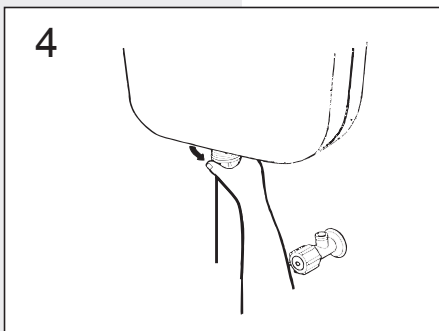
Remove the cistern lid by squeezing the lid on both sides. Hold cistern against wall in the exact position required, ensure that it is level and mark through the mounting holes.



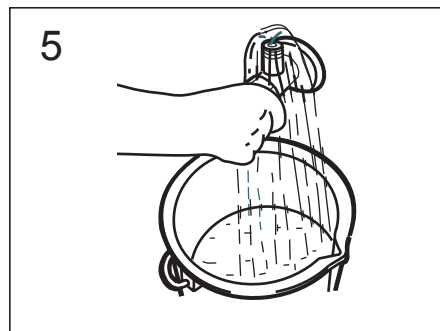
In masonry, drill 8mm diameter holes and insert the plugs provided. In timber, drill 3mm diameter pilot holes. Install the fixing screws leaving the heads protruding by approximately 10mm from the wall.



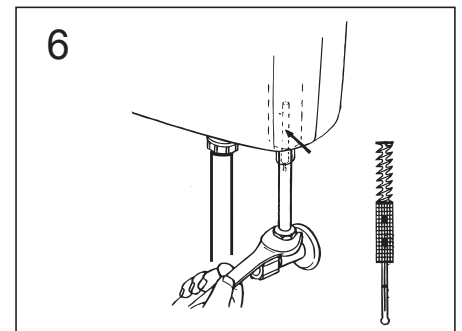
Hang the cistern over the screws and then take up the slack in the screws.



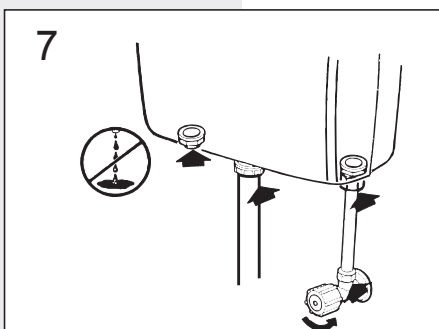
Connect the flush pipe from the cistern to the urinal. In most cases this pipe will be a special fabrication.



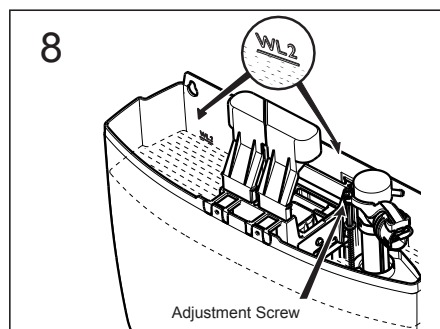
Open the water supply stop cock to thoroughly flush out the supply line.



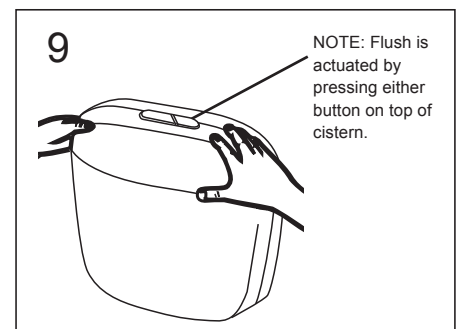
Make sure that the strainer is in place to help prevent damage caused by water borne contaminants. Then fit the water supply pipe using approved fittings.



Turn on the water supply and check for leaks at the connection fittings. Allow the cistern to fill and then flush it. Check for leaks at both ends of the flush pipe.



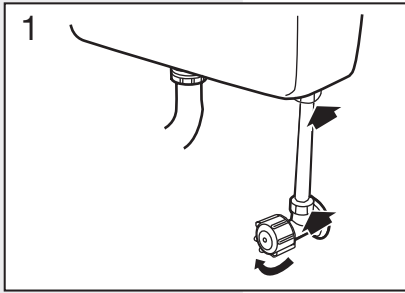
Actuate the Inlet valve at least once to purge any trapped air in the valve. Adjust the water level to the WL2 mark.



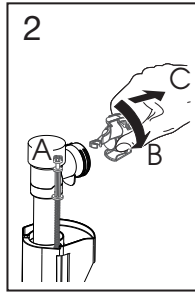
If all cistern functions are correct, replace the lid.

# caroma® Apollo Inlet Valve

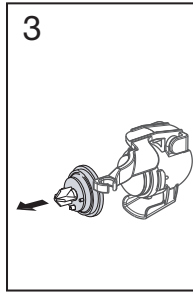
## Maintenance Instructions



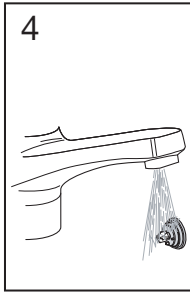
Turn off water supply and if strainer is to be cleaned remove connection fittings.



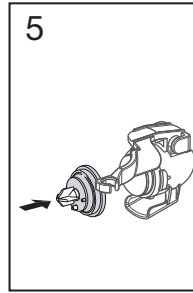
Unclip adjusting screw. Rotate anti clockwise & pull to remove cap assembly.



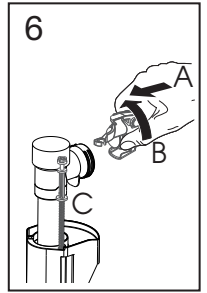
Remove seal from cap assembly.



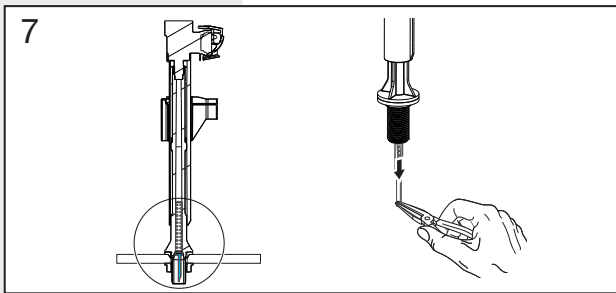
Wash seal to remove any dirt and inspect for damage.



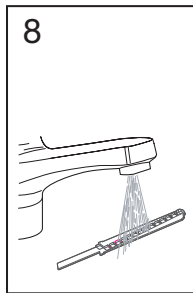
Replace seal on cap assembly.



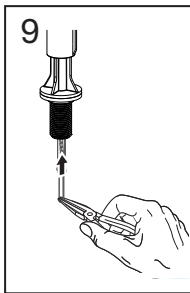
Push & rotate clockwise to re-attach cap assembly. Re-attach adjusting screw.



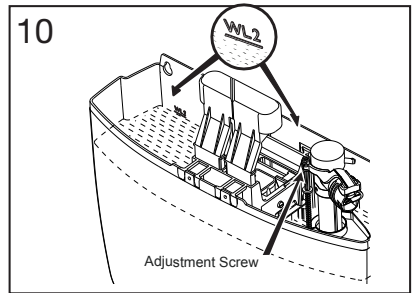
Using pliers carefully remove strainer from the base of the valve.



Wash strainer to remove any dirt.



Carefully push strainer back into valve.



Reconnect water supply & turn water supply back on.

## Service Requirements

- Inlet Strainer may require periodic cleaning (dependant on water quality) - procedure as described above.

## Troubleshooting Guide

- Valve slow to fill OR fails to open ▶ Ensure tap is open and/or clean Tail Strainer.
- Valve fails to close ▶ Clean & inspect seal as described above, replace Cap Assembly & Seal if damaged.
- If any other issues arise ▶ Consult a plumber or Caroma After Sales Service.

## Spare Parts Information

- Apollo Inlet Valve compatible Spare Part Kit is **687 082**  
Containing - **1 x Cap Assembly**  
- **1 x Seal**  
Refer to - **Steps 1, 2, 5 & 6 above.**
- For all other spare parts refer to the Caroma Technical Handbook.

# caroma® Outlet Valve

## Service Requirements

- Servicing is only required in instances where outlet valve operation is found to be faulty.

## Troubleshooting Guide

- If valve leaks ▶ Inspect seal for damage and replace interflow tube assembly if necessary.
- If any other issues arise ▶ Consult a plumber or Caroma After Sales Service.

## Spare Parts Information

- Caroma Hi-Flo Outlet Valve compatible Spare Part Kit is **415 110**  
OR
- Caroma Norwood Outlet Valve compatible Spare Part Kit is **405 139**.  
Each Contains - **1 x Interflow Tube Assembly**  
Refer to - **Spare Parts Installation.**
- For all other spare parts refer to the Caroma Technical Handbook.

