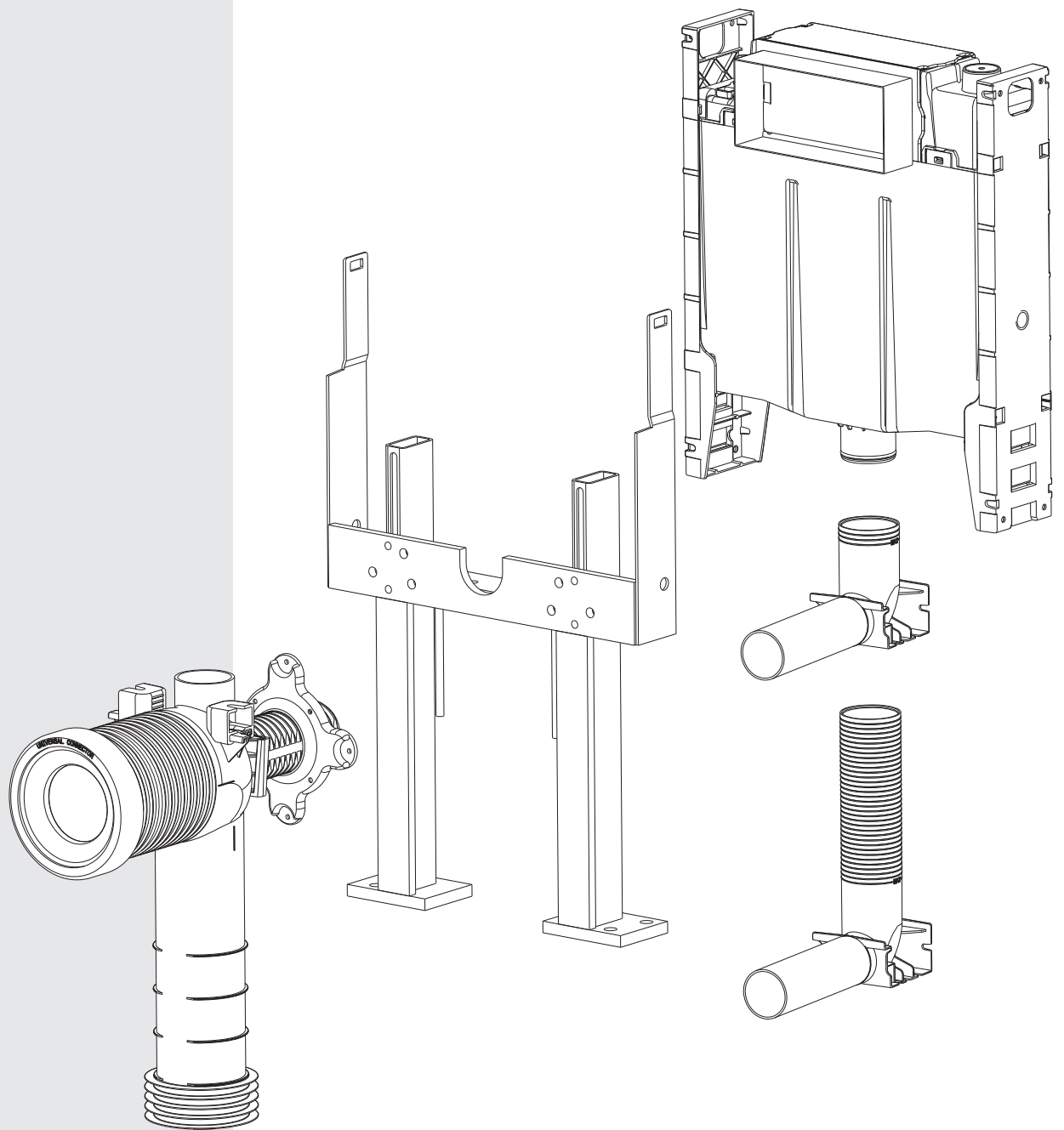


INVISI™

SERIES II

4.5/3 litre concealed cistern
237001, 237003 & 237004



5 Step Easy Install	3
Installation Requirements	3
Cistern Service Access Options	4
Button Service Access Options	5
Installing the Cistern - 237 001	
Inwall Access - stud wall	6
Inwall Access - masonry wall	7
Induct Access	8
In Ceiling Access	9
Under Counter Access	10
Custom Panel Access	11
Installing the Cistern - 237 003	
Inwall Access	12
Induct Access	14
In Ceiling Access	15
Where removal of the cistern may be required	16
Where adjustment of the cistern height is required	16
Installing the Cistern - 237 004	
Under Counter Access	17
Optional Remote Mounting Box Kit - 237 006	18
Access Panel Variations	19
6/3 Litre Conversion	19
Preparation for Fitout	20
Removing Internal Components through Access Window	20
Servicing - Outlet Valve	21
Servicing - Inlet Valve	22
Important Notices	23
Helplines	24

5 Step Easy Install

1

**Check
Installation
Requirements**

2

**Select
Cistern Service
Access Options**

3

**Select
Button Service
Access Options**

4

**Installing
the Cistern**

5

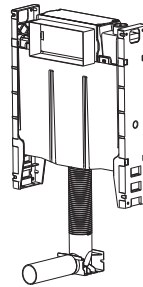
**Preparation
for Fitout**

Installation Requirements

237 001 - Invisi II 4.5/3L Dual Flush Cistern

CONTENTS

- Invisi II - 4.5/3L Concealed Cistern
- Mounting Brackets
- Tall Flush Pipe
- 0.5m of Pneumatic Tube
- Cistern Fixing Pack



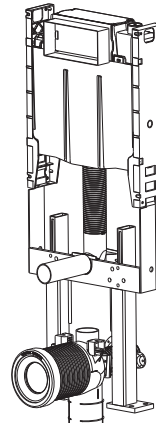
REQUIREMENTS

- 90mm Min Inwall Cavity Depth
- 400mm Min - 420mm Max Cavity Width (e.g. between studs)
- 1/2 inch BSP Water Connection

237 003 - Invisi II 4.5/3L Dual Flush Cistern - with Standard Wall Hung Pan Bracket

CONTENTS

- Invisi II - 4.5/3L Concealed Cistern
- Mounting Brackets
- Inwall, Wall Hung Pan Bracket
- Tall Flush Pipe
- 0.5m of Pneumatic Tube
- 90mm Waste Pipe
- Pan Bracket Fixing Pack



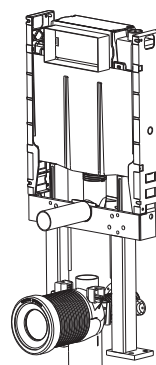
REQUIREMENTS

- 90mm Min Inwall Cavity Depth
- 400mm Min - 420mm Max Cavity Width (e.g. between studs)
- 1/2 inch BSP Water Connection

237 004 - Invisi II 4.5/3L Dual Flush Cistern - with Under Counter Wall Hung Pan Bracket

CONTENTS

- Invisi II - 4.5/3L Concealed Cistern
- Mounting Brackets
- Under Counter, Wall Hung Pan Bracket
- Short Flush Pipe
- 0.5m of Pneumatic Tube
- 90mm Waste Pipe
- Pan Bracket Fixing Pack



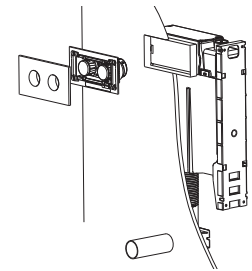
REQUIREMENTS

- 850mm Min Height to under counter
- 90mm Min (Front Mount Button Panel)
- 100mm Min (Top Mount Button Panel)
- Inwall Cavity Depth
- 400mm Min - 420mm Max Cavity Width (e.g. between studs)
- 1/2 inch BSP Water Connection

Inwall Access

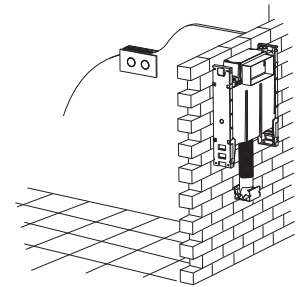
This allows access to cistern internals through the button panel window. Standard installation requires no change to product configuration.

An optional Remote Mounting Box Kit (refer to page 18) is required if using Remote Button Panel and or extending the flush pipe .



Induct Access

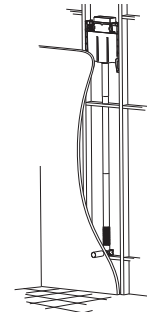
This allows access to the whole cistern. Standard installation will require Remote Mounting Box Kit (refer to page 18) for use with Remote Button Panel.



In Ceiling Access

This allows access to the whole cistern or access to cistern internals through the panel window depending on installation. Standard installation will require Remote Mounting Box Kit (refer to page 18) for use with Remote Button Panel.

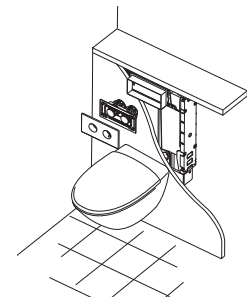
Optional Top Access will require the access panel to be converted (refer to page 19).



Under Counter Access

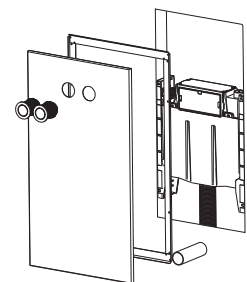
This allows access to cistern internals through the button panel window. Standard installation requires no change to product configuration.

Optional Top Access will require the access panel to be converted (refer to page 19).



Large Panel Access

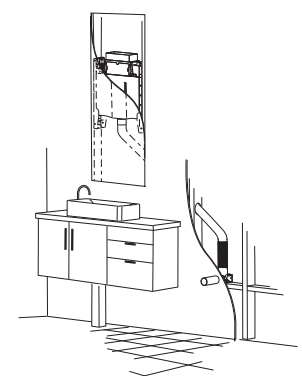
This allows access to the whole cistern. Standard installation requires no change to product configuration.



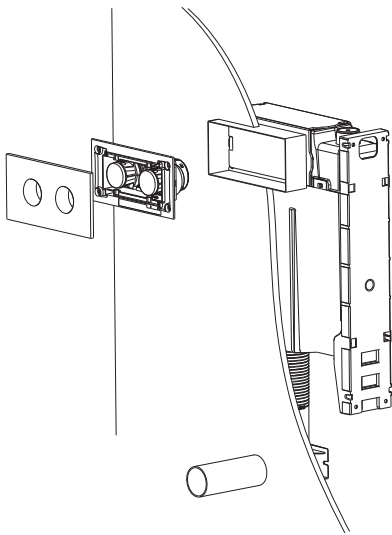
Custom Panel Access

This allows access to the whole cistern or access to cistern internals through the panel window depending on installation.

An optional Remote Mounting Box Kit (refer to page 18) is required if using Remote Button Panel and or extending the flush pipe .



Button Service Access Options

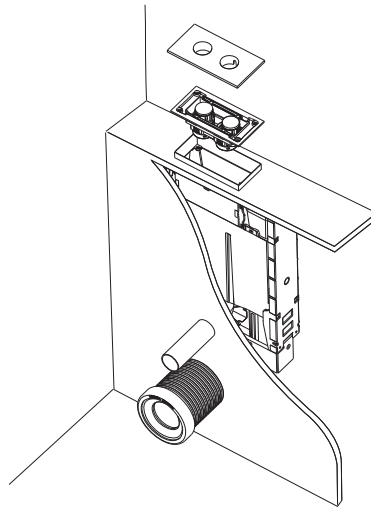


Direct Panel Mounting - Front

This is suitable for use with any of the button panel kits.

Requires a 5mm minimum - 45mm maximum wall thickness.

Access to the cistern internals is provided through the panel window.

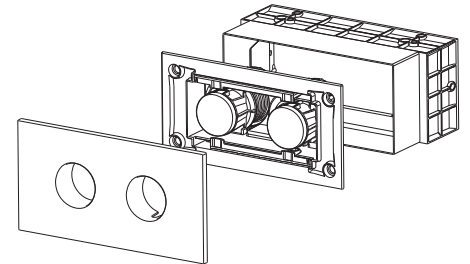


Direct Panel Mounting - Top (Under Counter)

This is suitable for use with any of the button panel kits.

Requires a 5mm minimum - 45mm maximum wall thickness.

Access to the cistern internals is provided through the panel window.

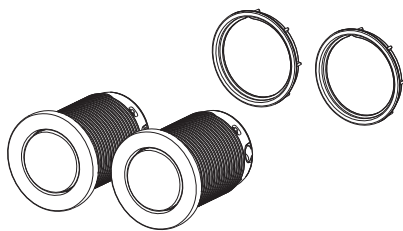


Remote Panel Mounting

This is suitable for use with any of the button panel kits.

Requires a 5mm minimum - 45mm maximum wall thickness.

A Blanking Panel is required for inwall access to cistern internals.

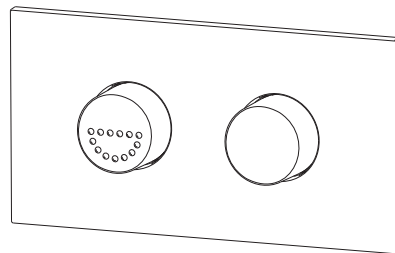


Remote Button Mounting

Access to the rear of the buttons must be provided for servicing.

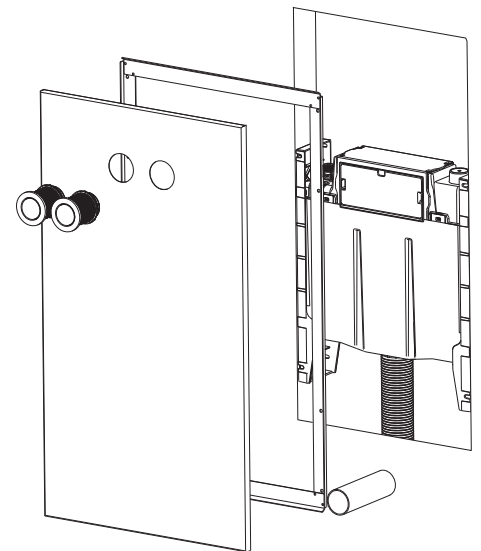
Suitable for mounting through panels up to 55mm thick.

A Blanking Panel is required for inwall access to cistern internals.



Care Button Panel

A Care Button Panel is available for use in disabled applications.



Large Button Panel

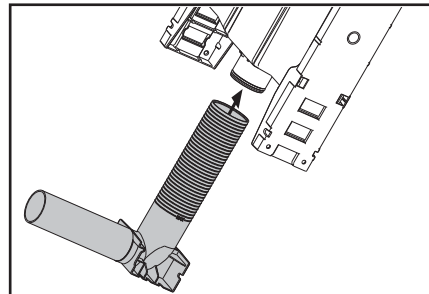
Used in combination with Round Remote Buttons allows access to the whole cistern.

Requires a 5mm minimum wall thickness.

Inwall Access - stud wall

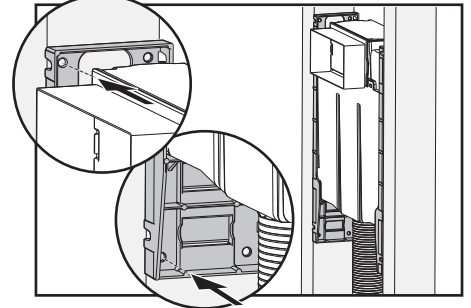
1. Check the DN 100 Soil Pipe is centred between the studs - check there is 400 - 420 mm between the studs (450mm nominal to stud centres).
2. Calculate the finished floor height (allowing for floor gradings and tile thickness, etc.) and add this to the known height of the selected pan's inlet. Mark this resulting height on the stud - **This is your datum and flush pipe centre line.**
3. Fix Nogging 25mm below datum.

4. Cut flush pipe if required and chamfer the inside edge.
Note: "MAX" indicates the maximum amount that the flush pipe can be trimmed.

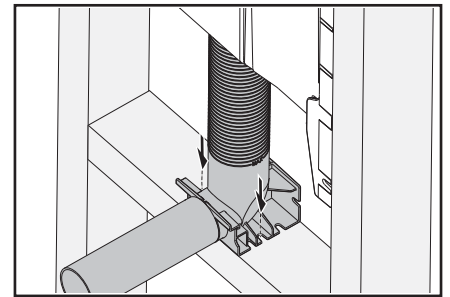


5. Lubricate 'O'Ring on cistern tail using soapy water and slide flush pipe on.

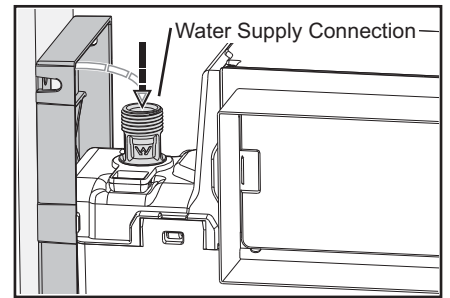
6. Screw cistern to studs via the 2 front, top and bottom holes in each mounting bracket making sure the water connection fitting is on the left hand side of cistern.



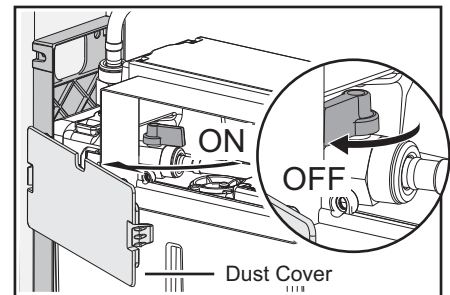
7. Secure the flush pipe to the Nogging utilising 2 of the screw holes in the integrated flush pipe support.



8. Connect the water supply.

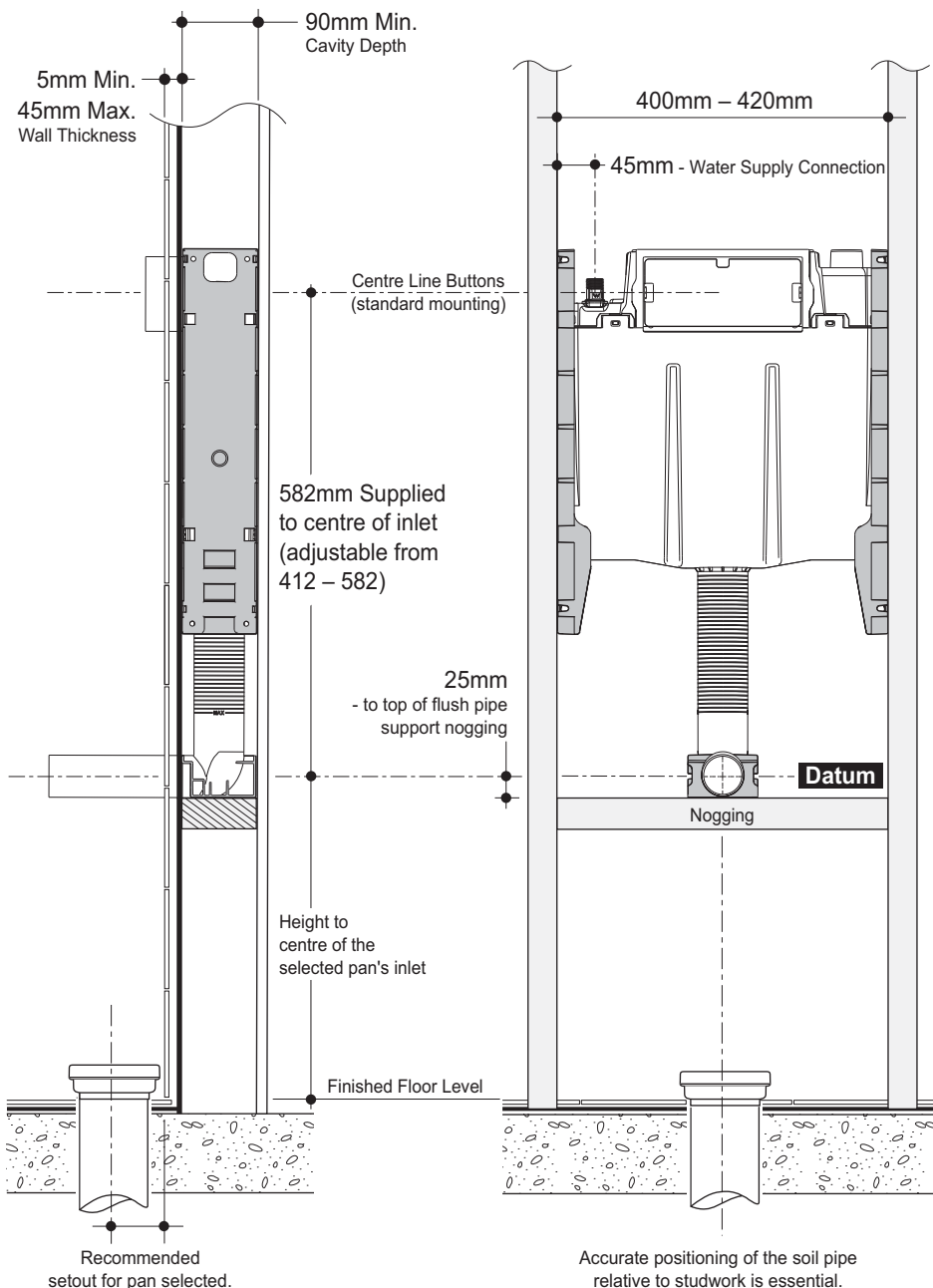


9. Remove Dust Cover, turn Isolating Tap ON, fill tank & set water level using Adjusting Screw on the inlet valve.



10. Check cistern and all joints for leaks.

11. Turn Isolating Tap OFF. Continue with Preparation for Fitout on page 20.



Inwall Access - masonry wall

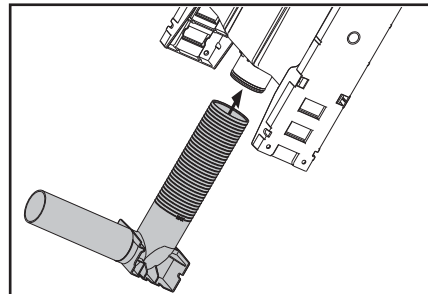
1. Check the DN 100 Soil Pipe is centred to the hole built into the masonry wall.

2. Make sure the hole for the flush pipe is at the correct height. Calculate the finished floor height (allowing for floor gradings and tile thickness, etc.) and add this to the known height of the selected pan's inlet. Mark this resulting height on the wall - **This is your datum and flush pipe centre line.**

3. Confirm size and positioning of opening as shown is relative to your datum. Allowance must be made for finishing of the wall above the flush pipe (refer to options on page 20.).

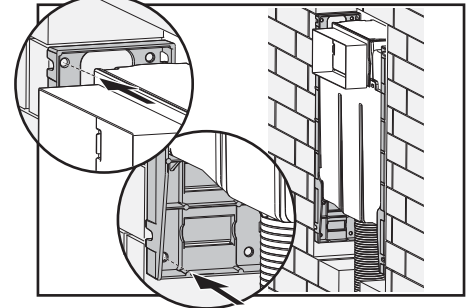
4. Cut flush pipe if required and chamfer the inside edge.

Note: "MAX" indicates the maximum amount that the flush pipe can be trimmed.

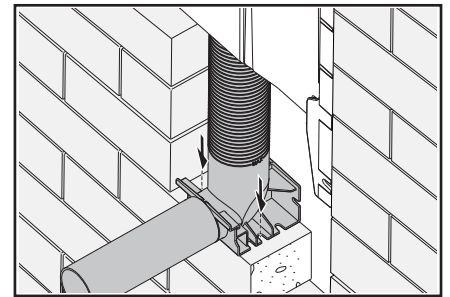


5. Lubricate 'O'Ring on cistern tail using soapy water and slide flush pipe on.

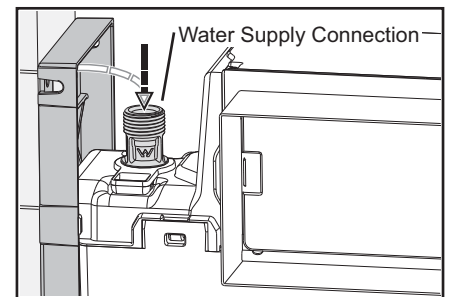
6. Screw cistern to wall via the 2 front, top and bottom holes in each mounting bracket making sure the water connection fitting is on the left hand side of cistern.



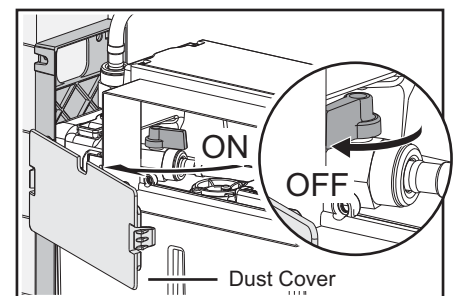
7. Secure the flush pipe to the masonry utilising 2 of the screw holes in the integrated flush pipe support.



8. Connect the water supply.

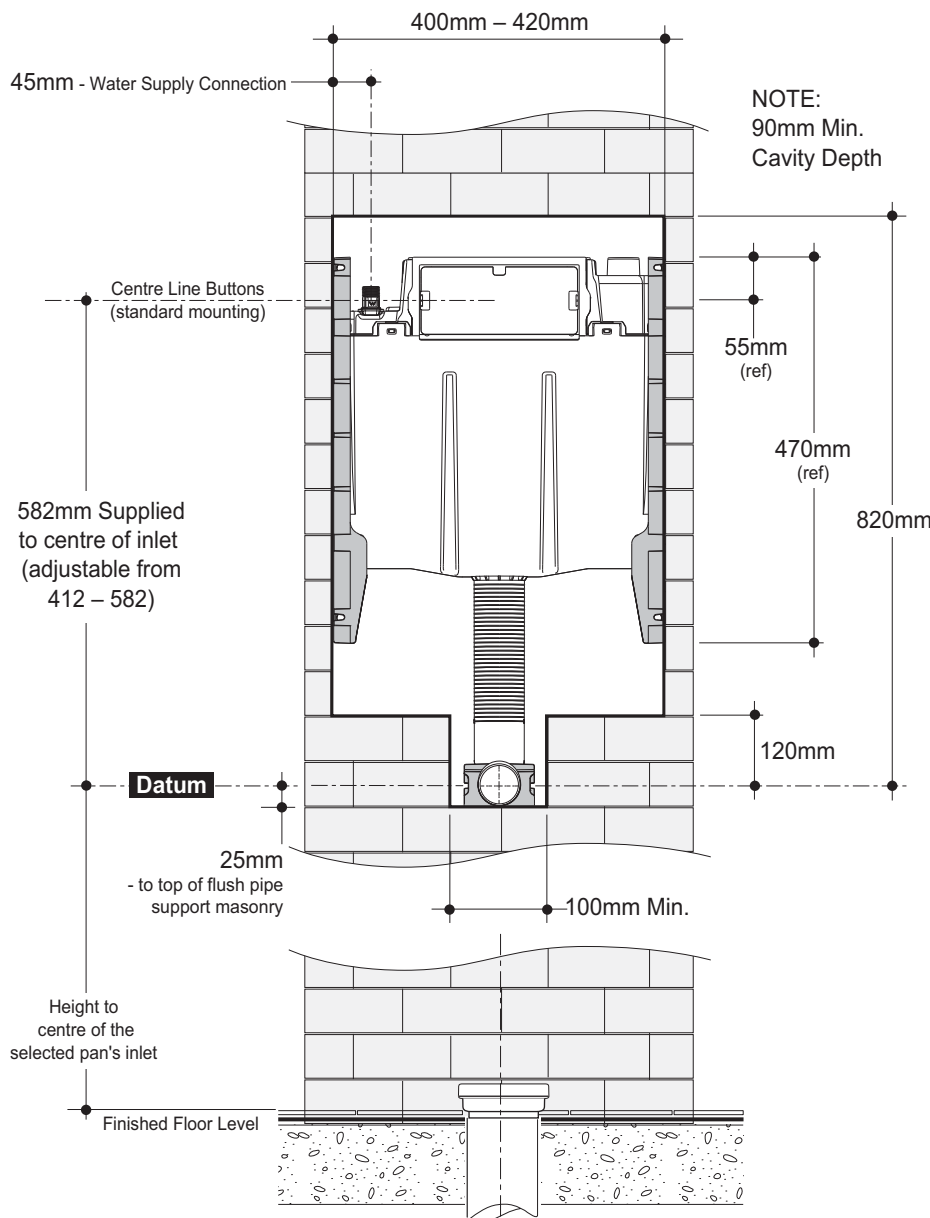


9. Remove Dust Cover, turn Isolating Tap ON, fill tank & set water level using Adjusting Screw on the inlet valve.



10. Check cistern and all joints for leaks.

11. Turn Isolating Tap OFF. Continue with Preparation for Fitout on page 20.

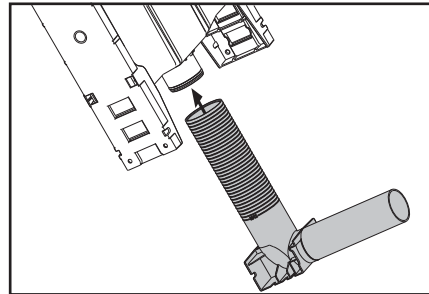


Accurate positioning of the soil pipe relative to studwork is essential.

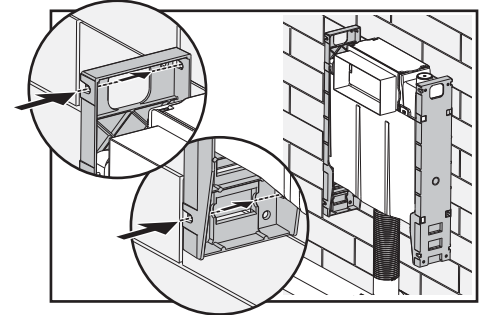
Induct Access

1. Calculate the finished floor height (allowing for floor gradings and tile thickness, etc.) and add this to the known height of the selected pan's inlet. Mark this resulting height on the wall - **This is your datum and flush pipe centre line.**
2. Drill a 51mm/2 inch minimum hole for the flush pipe, ensuring it is centred to your DN 100 Soil Pipe.
3. Fix a Nogging 25mm below datum to the wall.

4. Cut flush pipe if required and chamfer the inside edge.
Note: "MAX" indicates the maximum amount that the flush pipe can be trimmed.

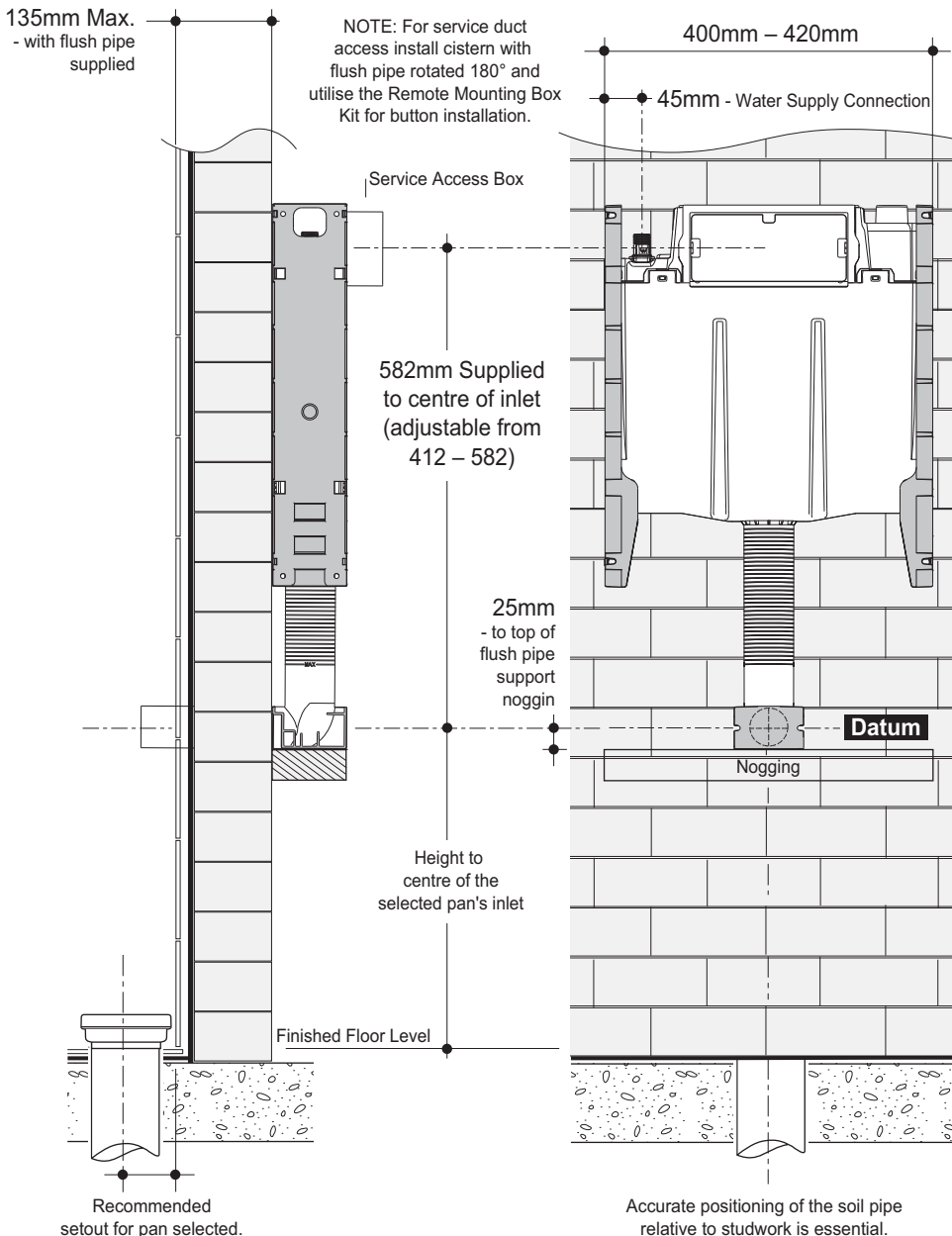
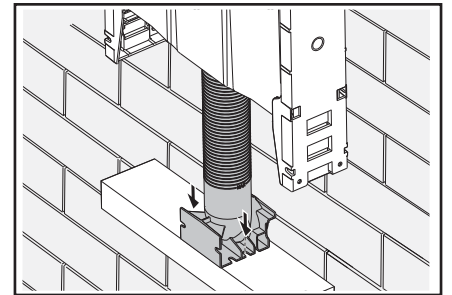


6. Place the flush pipe through hole and secure cistern to duct wall using 2 screws via holes in each of the mounting brackets.

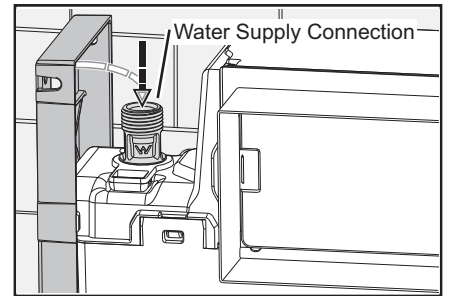


5. Lubricate 'O'Ring on cistern tail using soapy water and slide flush pipe on so that it is protruding in the opposite direction from that of the Service Access Box.

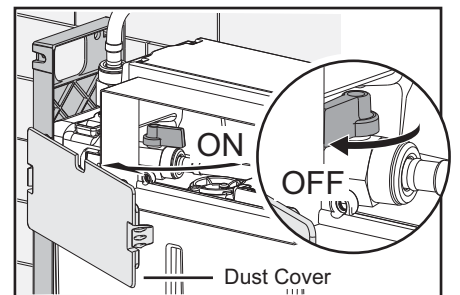
7. Secure the flush pipe to the Nogging utilising 2 of the screw holes in the integrated flush pipe support.



8. Connect the water supply.



9. Remove Dust Cover, turn Isolating Tap ON, fill tank & set water level using Adjusting Screw on the inlet valve.



10. Check cistern and all joints for leaks.

11. Turn Isolating Tap OFF. Continue with Preparation for Fitout on page 20.

In Ceiling Access

1. Cistern can be a maximum height of 3 metres above the known height of the selected pan.

2. Calculate the finished floor height (allowing for floor gradings and tile thickness, etc.) and add this to the known height of the selected pan's inlet. Mark this resulting height on the stud - **This is your datum and flush pipe centre line.**

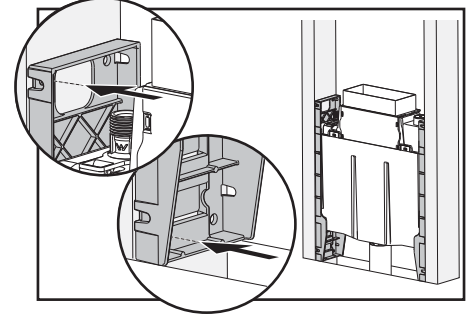
3. Fix Nogging 25mm below datum.

4. Utilising the Elevated Flush Pipe Parts included in the Remote Mounting Box Kit fabricate and install flush pipe (refer to page 18).
Note: "MAX" indicates the maximum amount that the flush pipe can be trimmed.

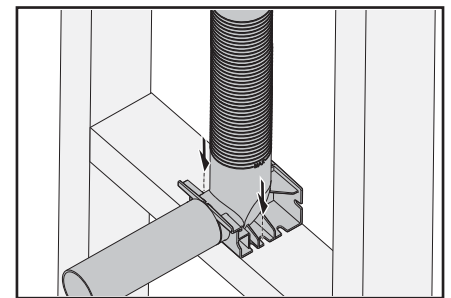
5. Lubricate 'O'Ring on cistern tail using soapy water and slide flush pipe on.

6. Screw cistern to studs via the 2 front, top and bottom holes in each mounting bracket making sure the water connection fitting is on the left hand side of cistern.

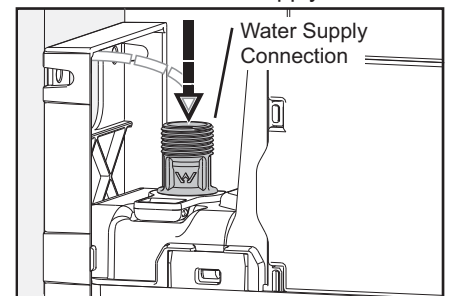
Note: Cistern may be installed on wall face (refer to page 8 - Induct Access)



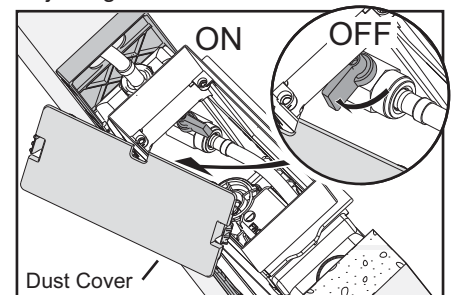
7. Secure the flush pipe to the Nogging utilising 2 of the screw holes in the integrated flush pipe support.



8. Connect the water supply.

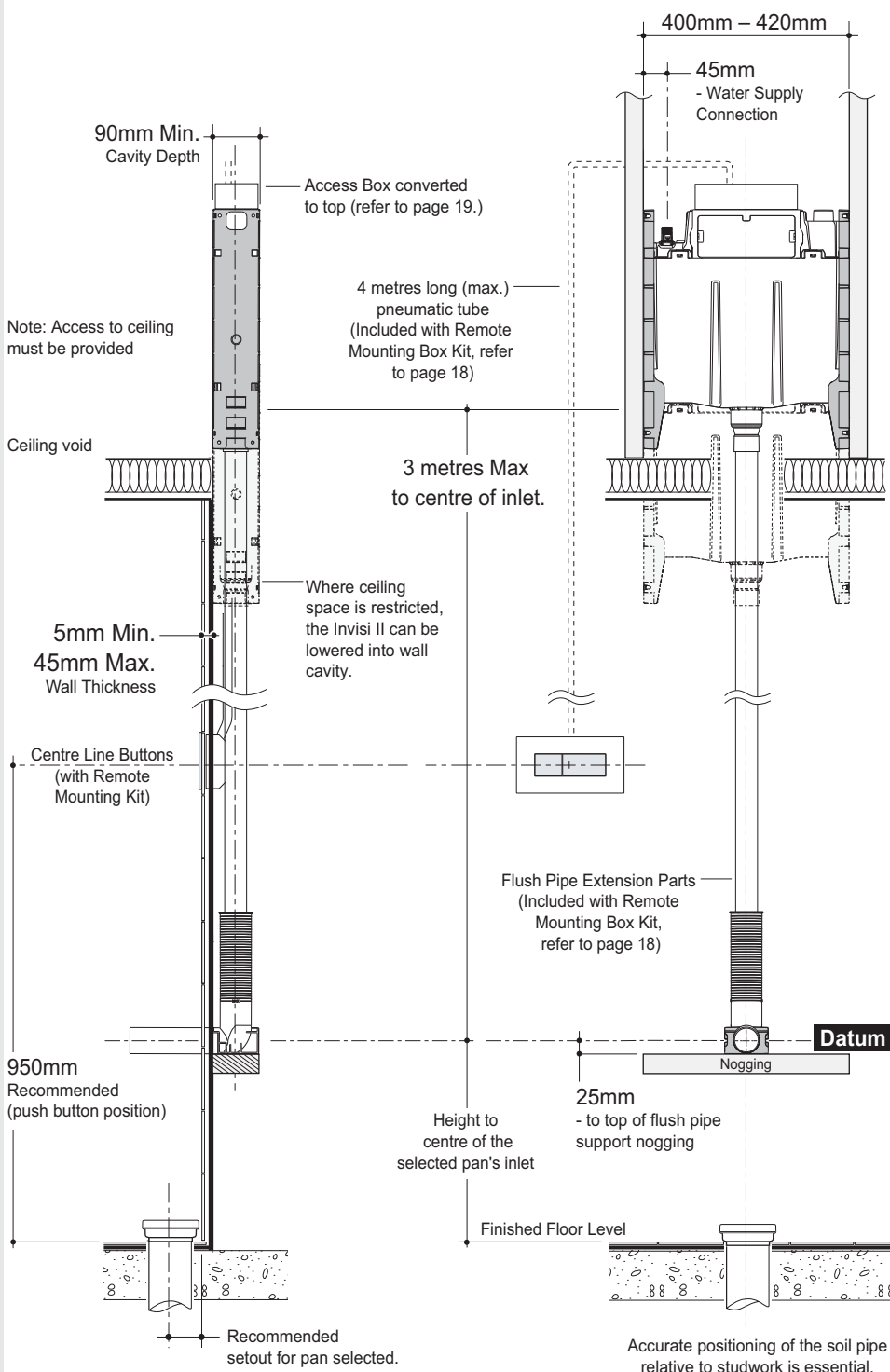


9. Remove Dust Cover, turn Isolating Tap ON, fill tank & set water level using Adjusting Screw on the inlet valve.



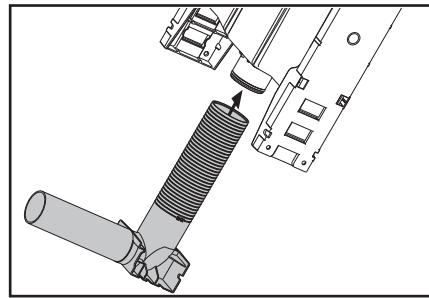
10. Check cistern and all joints for leaks.

11. Turn Isolating Tap OFF. Continue with Preparation for Fitout on page 20.

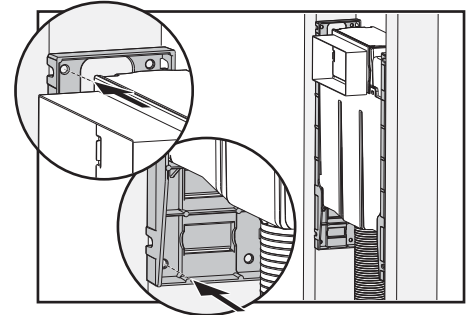


Under Counter Access

1. Check the DN 100 Soil Pipe is centred between the studs - check there is 400 - 420 mm between the studs (450mm nominal to stud centres).
2. Calculate the finished floor height (allowing for floor gradings and tile thickness, etc.) and add this to the known height of the selected pan's inlet. Mark this resulting height on the stud - **This is your datum and flush pipe centre line.**
3. Fix Nogging 25mm below datum. **Note:** Where the Counter is at the minimum height the flush pipe must be trimmed to the "max" amount and cistern installed with the top surface of the Brackets hard up against the underside of the counter top.

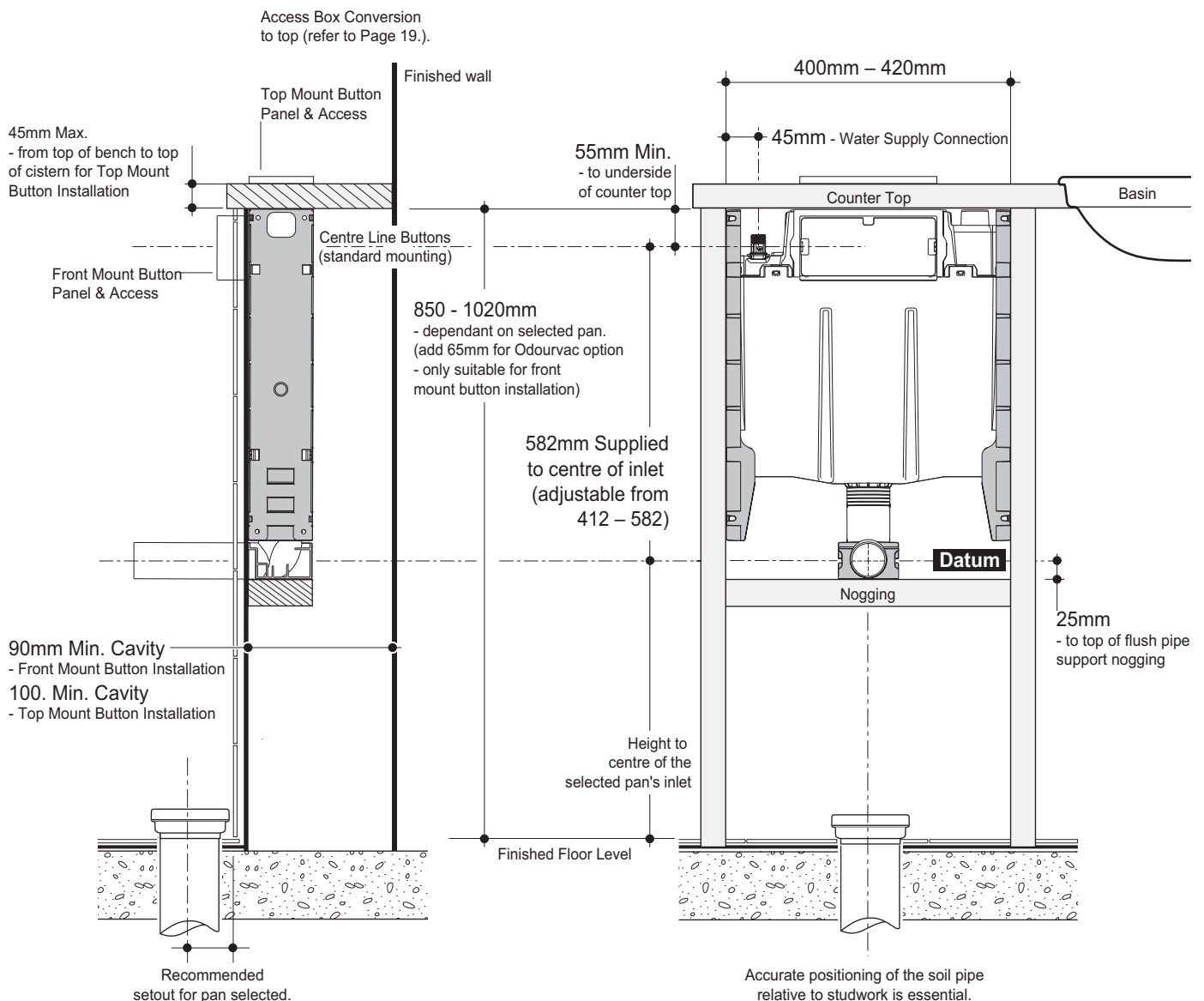


4. Cut flush pipe if required and chamfer the inside edge. **Note:** "MAX" indicates the maximum amount that the flush pipe can be trimmed.

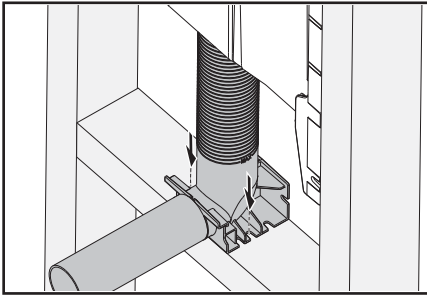


6. Screw cistern to studs via the 2 front, top and bottom holes in each mounting bracket making sure the water connection fitting is on the left hand side of cistern (continue next page).

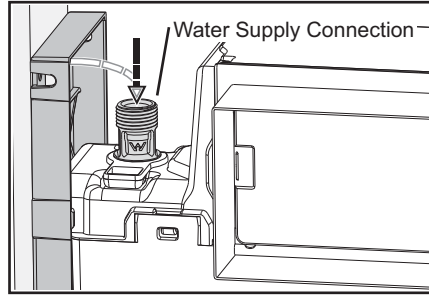
5. Lubricate 'O'Ring on cistern tail using soapy water and slide flush pipe on.



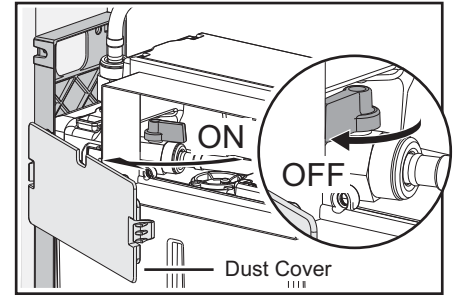
Under Counter Access - continued



7. Secure the flush pipe to the Nogging utilising 2 of the screw holes in the integrated flush pipe support.



8. Connect the water supply.



9. Remove Dust Cover, turn Isolating Tap ON, fill tank & set water level using Adjusting Screw on the inlet valve.

10. Check cistern and all joints for leaks.

11. Turn Isolating Tap OFF. Continue with Preparation for Fitout on page 20.

Custom Panel Access

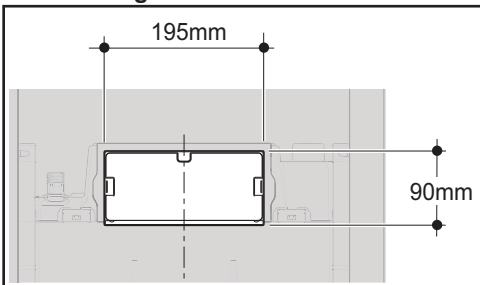
1. The design of the custom panel is limited only by the designers imagination.

2. Cistern must be mounted using the attached Mounting Brackets. Refer to appropriate installation method on previous pages.

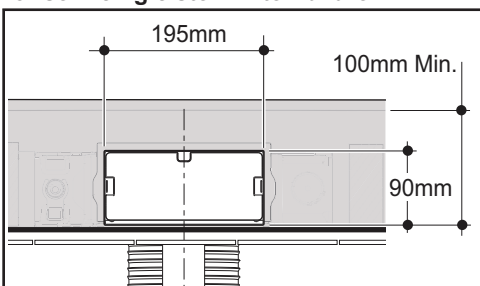
3. Allowances for access to at least the cistern internals if not the entire cistern must be incorporated into the design.

4. Refer to page 18 for flush pipe design guidelines.

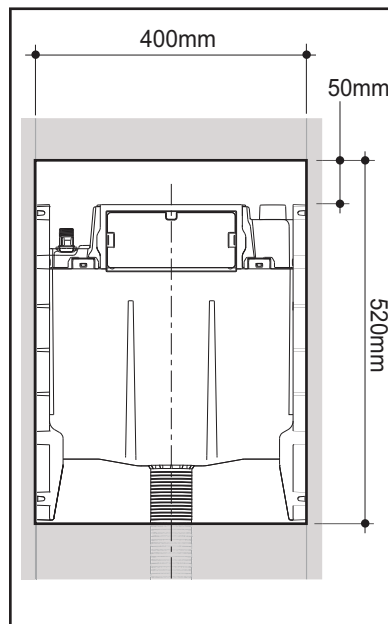
The minimum front access requirements for servicing cistern internal are:



The minimum top access requirements for servicing cistern internal are:

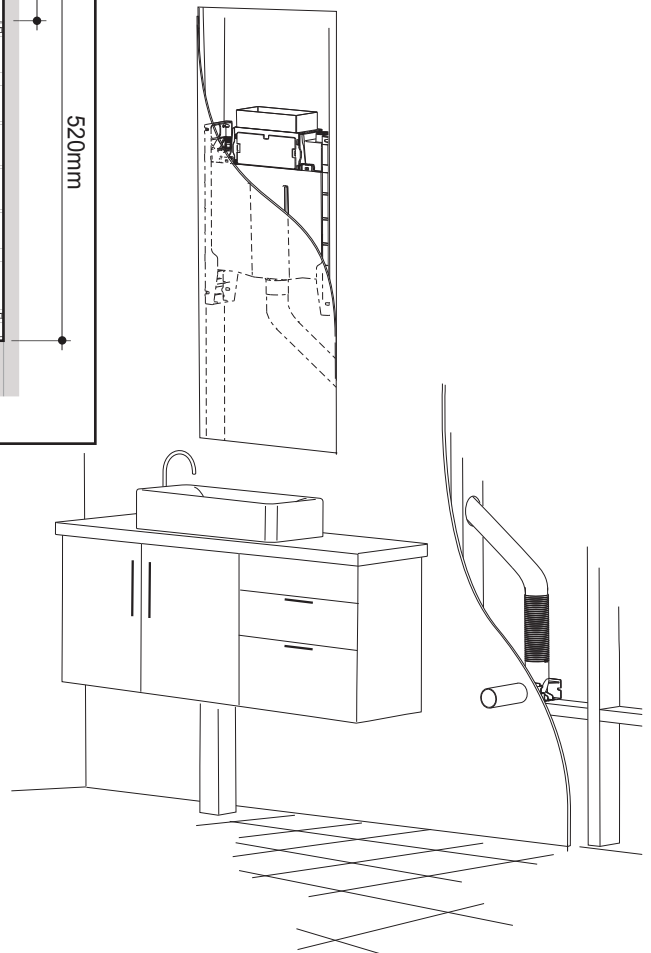


The minimum front access requirements for cistern removal are:

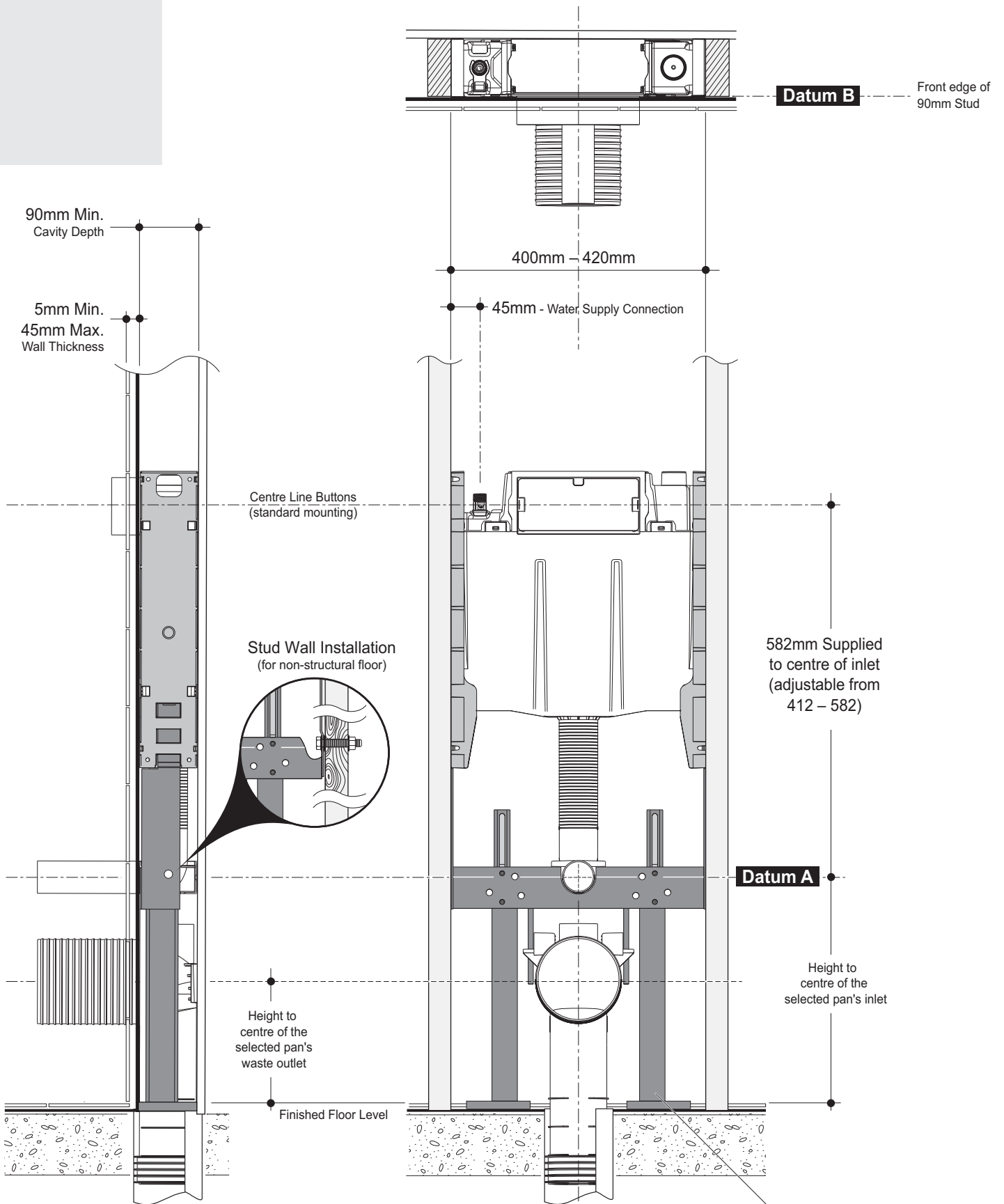


5. Check cistern and all joints for leaks..

6. Turn Isolating Tap OFF. Continue with Preparation for Fitout on page 20.



Inwall Access



To achieve a minimum wall cavity of 90mm the soil pipe must be accurately centralised.

Accurate positioning of the soil pipe relative to studwork is essential.

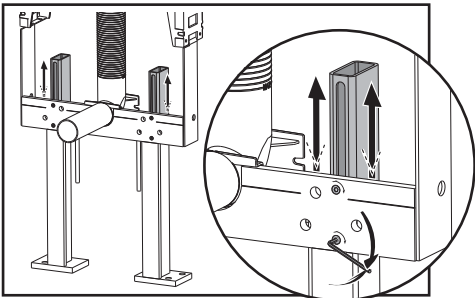
Caroma Invisi 2 Integrated Wall Hung Pan Bracket

Inwall Access - continued

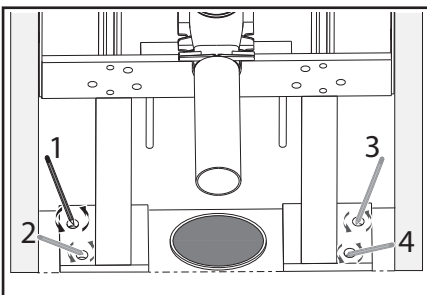
1. Check the DN 100 Soil Pipe is centred between the studs - check there is 400 - 420 mm between the studs (450mm nominal to stud centres).

2. Calculate the finished floor height (allowing for floor gradings and tile thickness, etc.) and add this to the known height of the selected pans inlet. Mark this resulting height on the stud - **This is your "Datum A" and flush pipe centre line.**

NOTE: When using a Large Panel, fabricating full size Custom Panel and or where adjustment of the cistern height in relation to "Datum A" is required refer to page 16.



3. Measure and ensure the Flush Pipe Centre Line which is marked on the Pan Bracket is at the correct height. This should match the Datum A previously established. Use an allen key to adjust. Ensure bolts are tightened after setting.



4. Place the Pan Bracket & Cistern Assembly in position and mark out all 4 bolt locations in the bracket feet.

NOTE: The front face of the Pan Bracket should be flush with the front face of the studs ("Datum B") & the DN 100 Soil Pipe should be central in both the wall cavity and between studs as well as being cut flush with the floor.

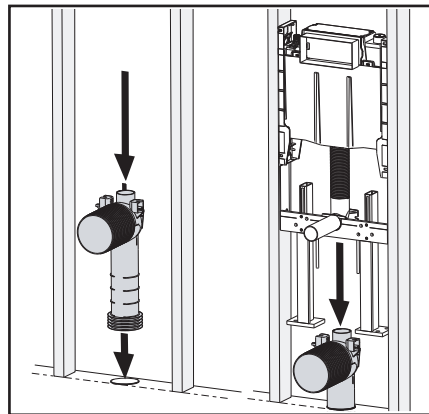
5. Move Pan Bracket & Cistern Assembly out of it's installation position and drill the 4 holes in the floor as marked.

For Structural Flooring

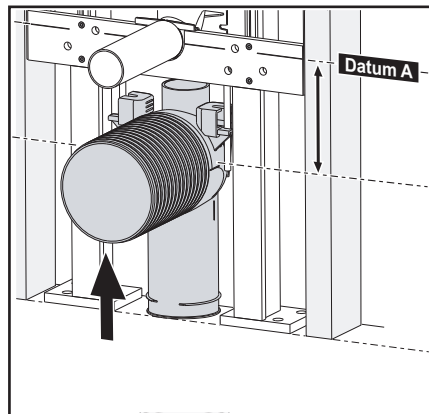
Drill Ø12mm hole for use with M12 TRU Bolts supplied in pack.

For Non Structural Flooring

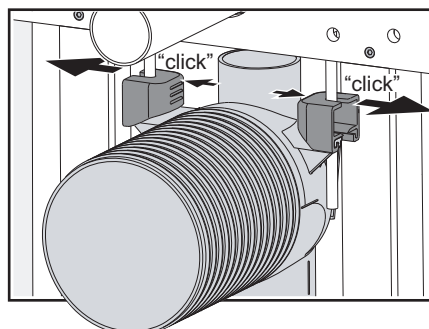
Drill to suit fixings used (fixings not supplied). The vertical arms of the pan bracket must also be bolted to side studs.



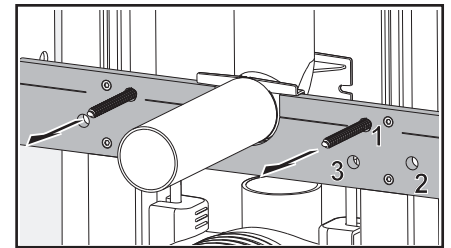
6. Lubricate the Waste Pipe with soap and water and push into the soil pipe. Carefully reposition Pan Bracket & Cistern Assembly and secure with fixings.



7. Slide the Waste Pipe up so the centre line marked on the body is set at the correct spacing from the flush pipe "Datum A".

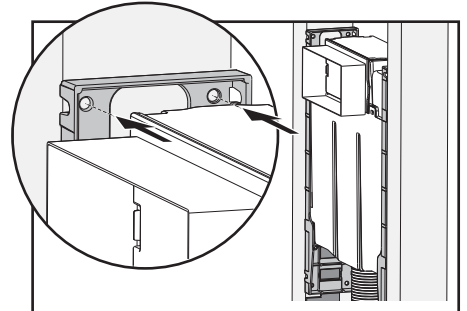


8. Secure the Waste Pipe position by firmly pushing the Waste Pipe Clips outwards to latch on to the threaded rods.

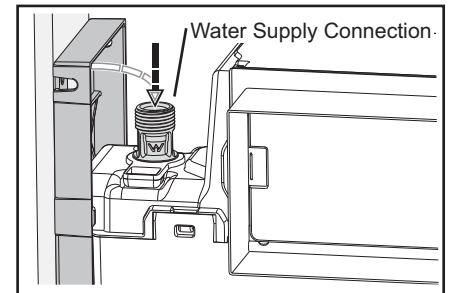


9. Screw in threaded rods for mounting the pan and lock in position with nuts against the Front Plate. Three hole spacings are accommodated to suit the selected pan:

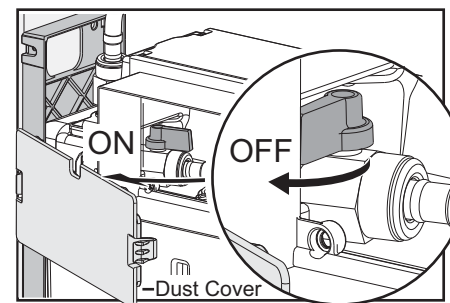
- 1 - 200mm
- 2 - 280mm
- 3 - 180mm



10. Screw the cistern in place using at least 1 of the 2 holes provided in the top of each mounting bracket. Make sure the water connection fitting is on the left hand side of cistern and cistern is flush with wall.



11. Connect the water supply.



12. Remove Dust Cover, turn Isolating Tap ON, fill tank & set water level using Adjusting Screw on the inlet valve.

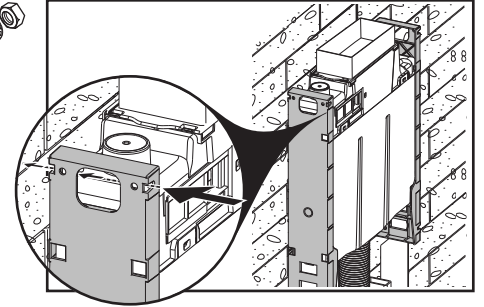
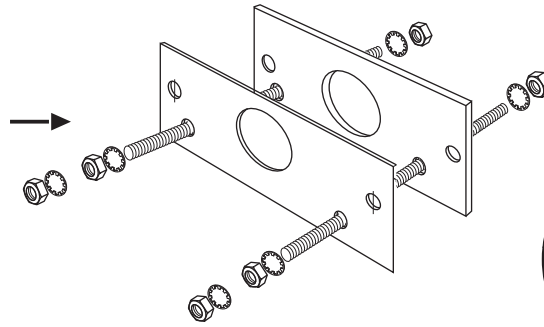
13. Check cistern and all joints for leaks.

14. Turn Isolating Tap OFF. Continue with Preparation for Fitout on page 20.

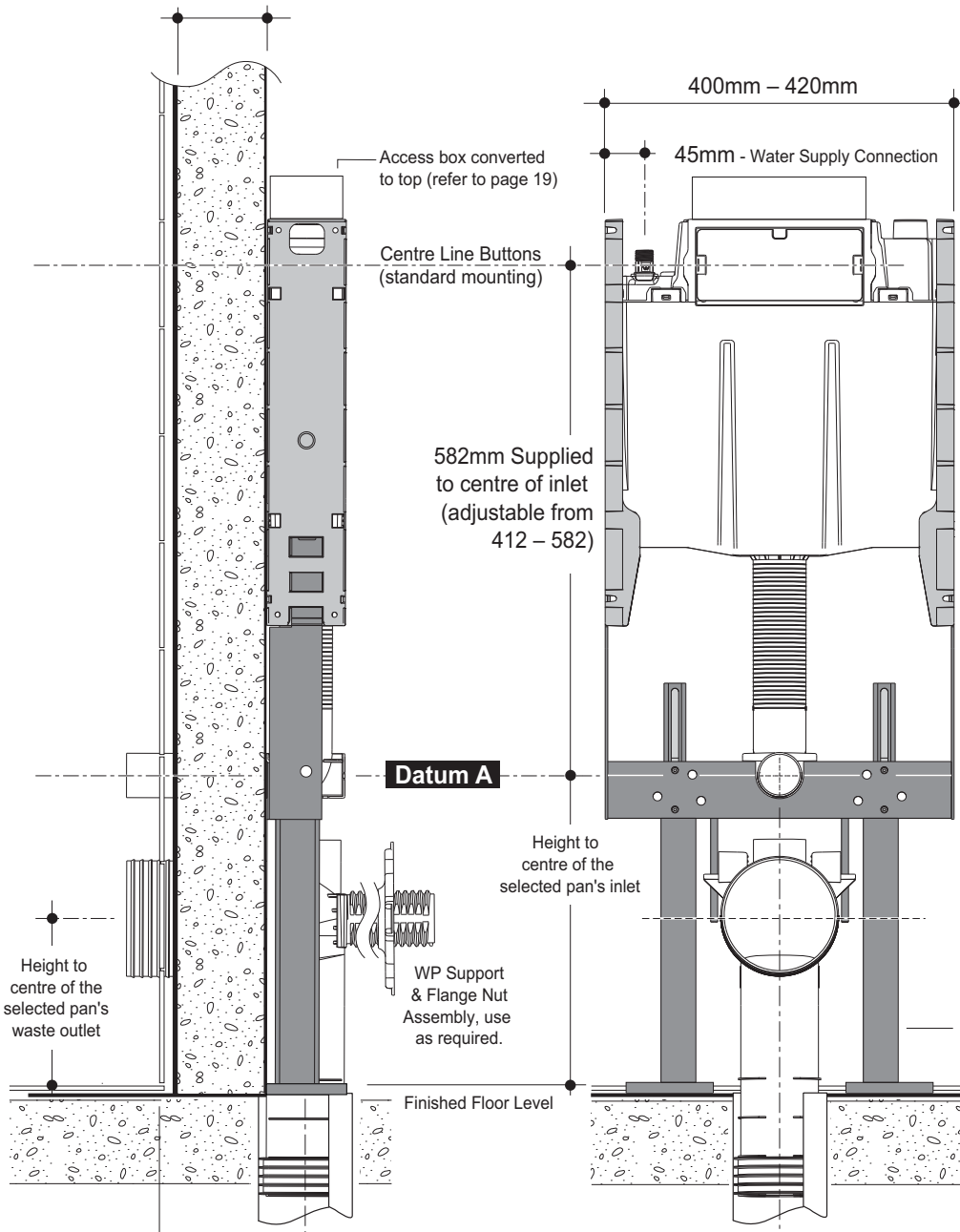
Induct Access

Refer to pages 12 to 13 for installation procedure.

NOTE: For Induct Structural Wall installations the Invisi 2 cistern pack 237 001 in conjunction with the D788 Sanifix Bolt Through Wall Pan Bracket (Code No. 687 788) is recommended, as pictured adjacent.

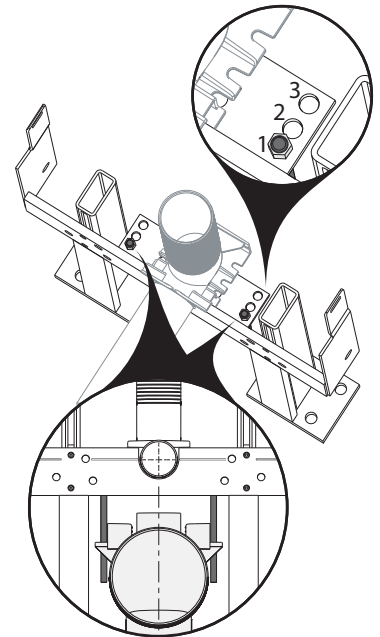


135mm Max. with supplied flush pipe. Ensure at least 300mm clearance above top of cistern for service access.



Waste Pipe Adjustment

Allows for the DN 100 Soil Pipe being set back from the wall face up to 25mm.

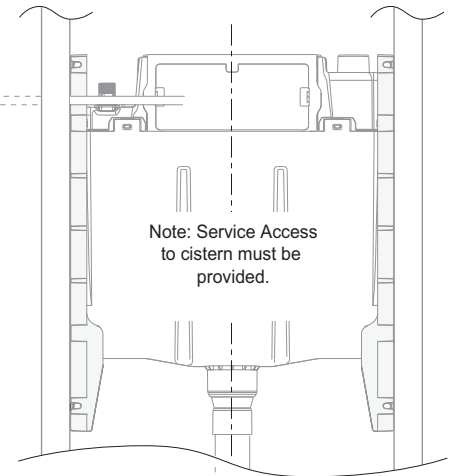


170 max. from finished wall with the Waste Pipe provided with this pack.

Accurate positioning of the soil pipe relative to studwork is essential.

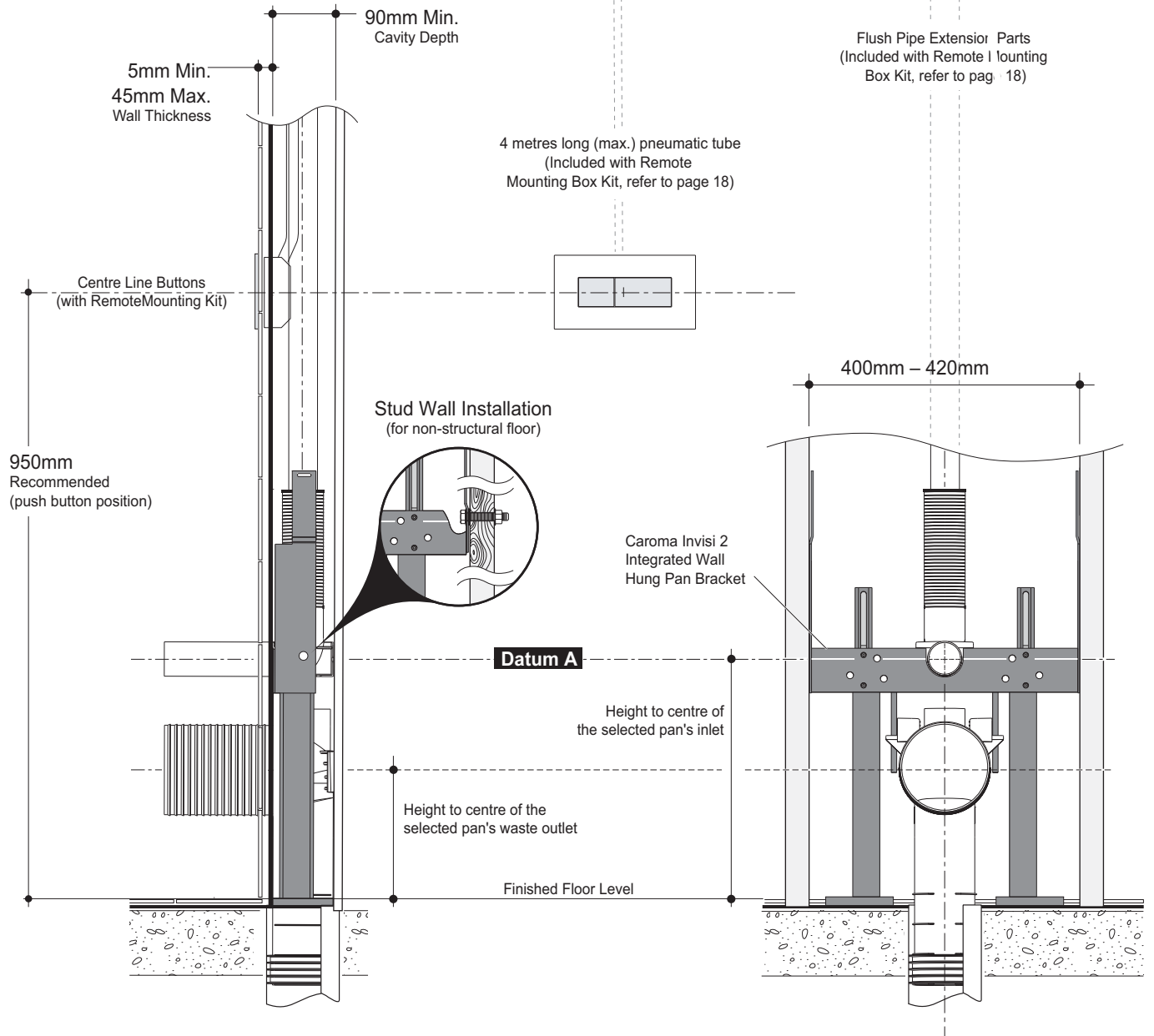
In Ceiling Access

Refer to page 16 for removing the cistern from the pan bracket, before referring to pages 12 to 13 for installation procedure.



Flush Pipe Extension Parts (Included with Remote Mounting Box Kit, refer to pag. 18)

4 metres long (max.) pneumatic tube (Included with Remote Mounting Box Kit, refer to page 18)

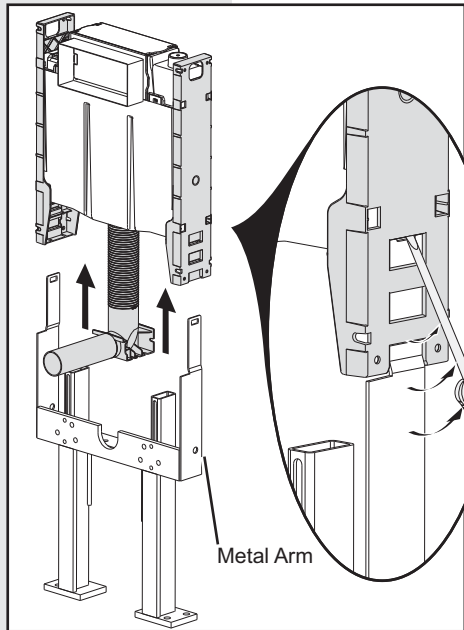


To achieve a minimum wall cavity of 90mm the soil pipe must be accurately centralised.

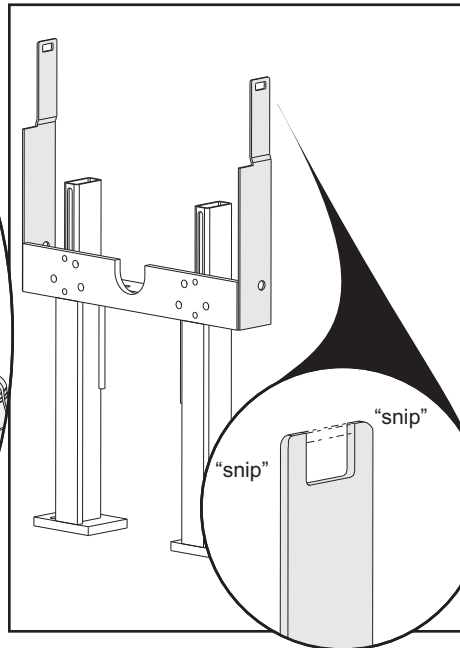
Accurate positioning of the soil pipe relative to studwork is essential.

Where removal of the cistern may be required.

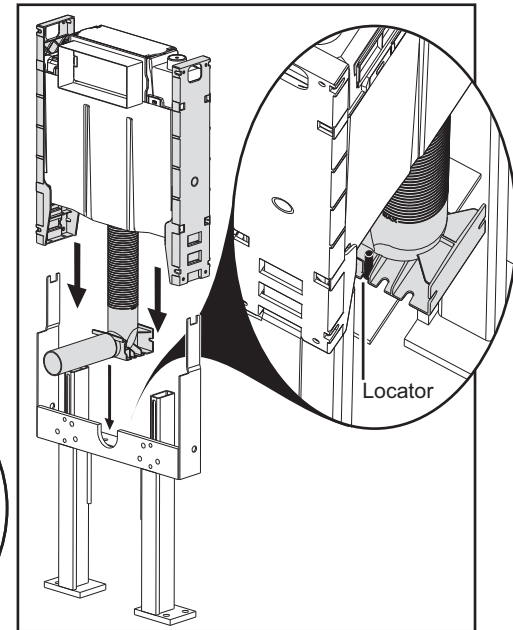
- When using a Large Panel or full size custom panel.



Remove cistern from Pan Bracket using a screw driver to lever the plastic tab out of the hole in the Metal Arm, both sides.



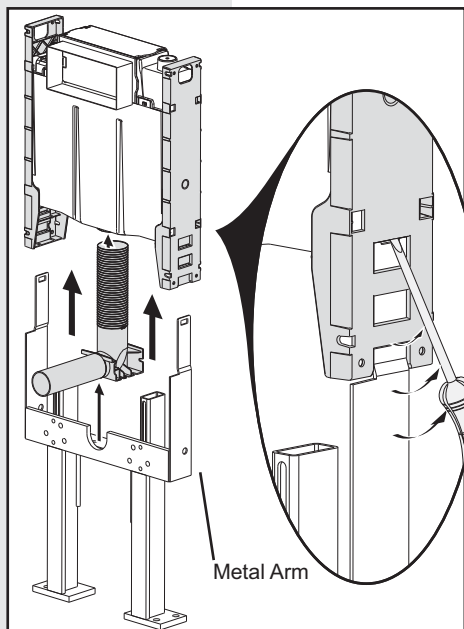
Cut the hole in the metal arm so it is open at the top. This ensures the plastic tab will no longer lock in position.



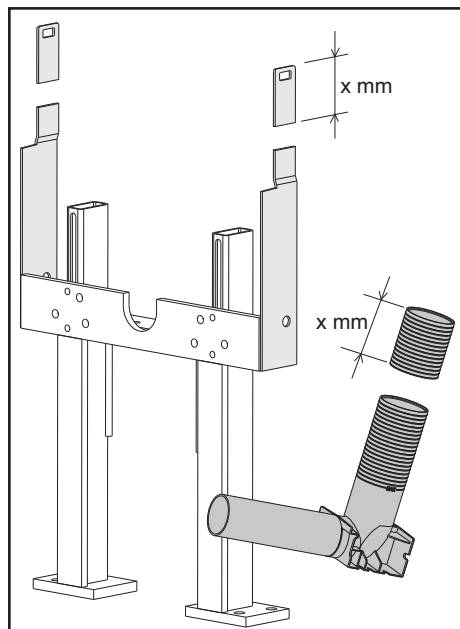
Slide the cistern back into place ensuring the Flush Pipe is correctly positioned on the Pan Bracket.

Continue with installation.

Where adjustment of the cistern height is required.



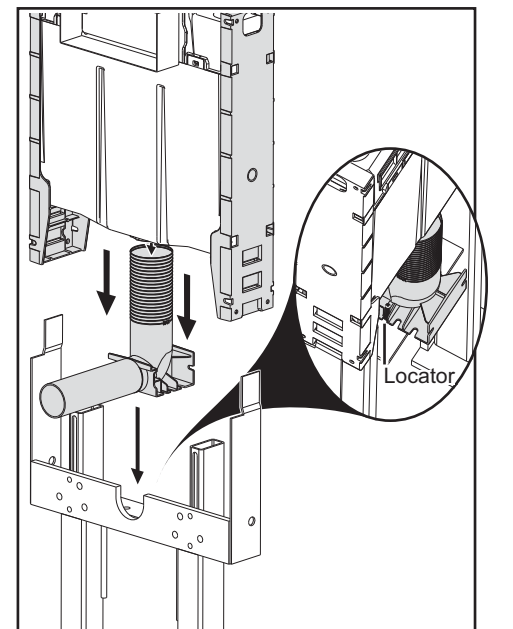
Remove cistern from Pan Bracket using a screw driver to lever the plastic tab out of the hole in the Metal Arm, both sides.



If the Height of the cistern is to be lowered, cut the Flush Pipe and chamfer the inside edge.

The same length that is removed from the Flush Pipe should also be removed from the Metal Arms on the Pan Bracket.

If the cistern height is to be raised then Flush Pipe Extension Parts included in the Remote Mounting Box Kit (refer to page 18) are required.



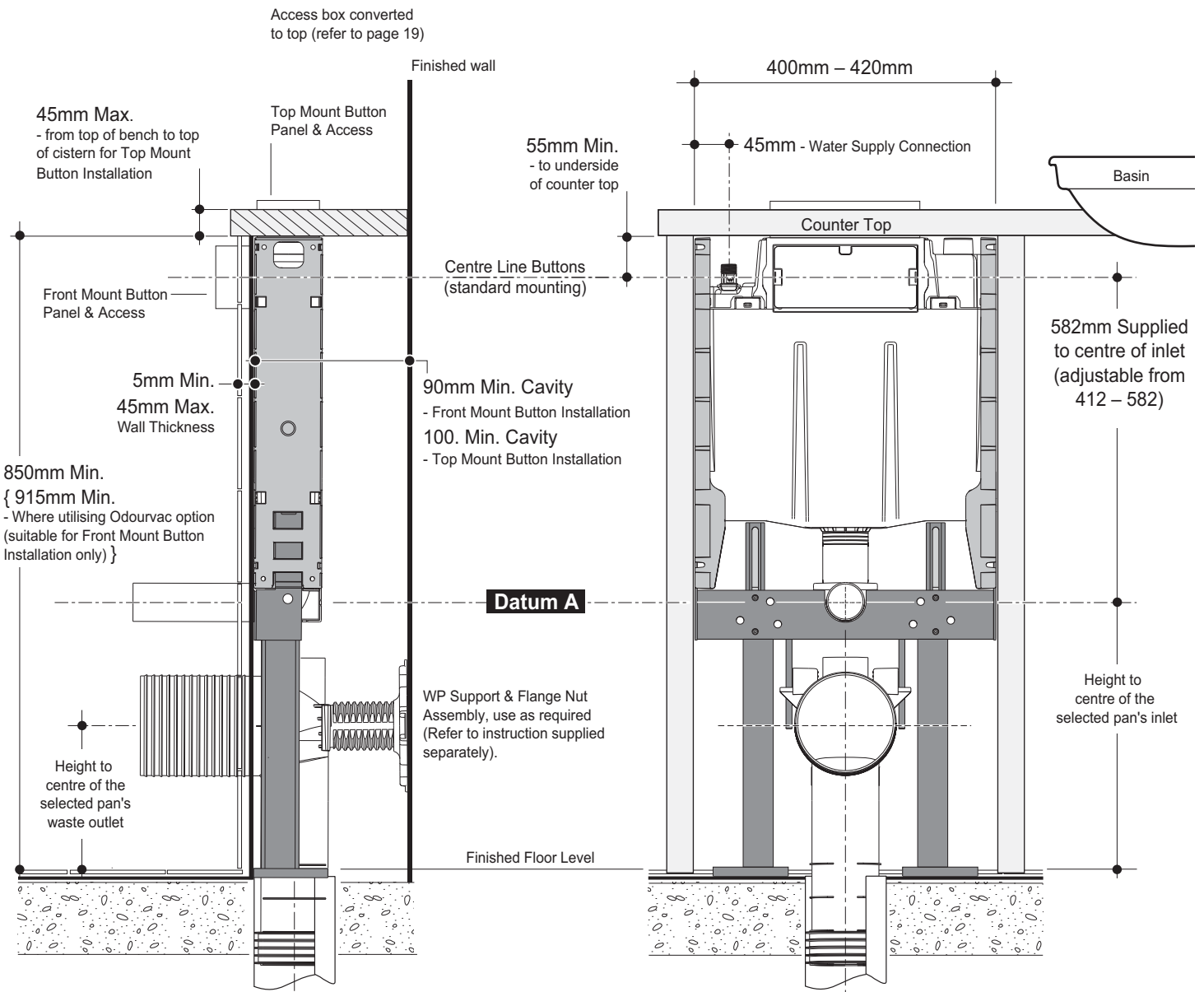
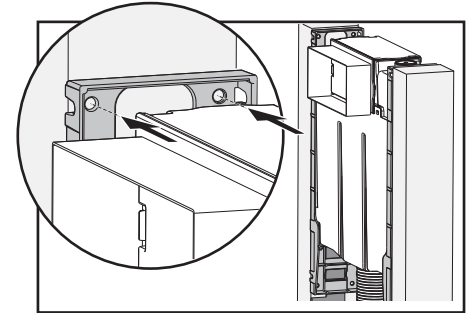
Lubricate 'O' Ring on cistern tail using soapy water & slide Flush Pipe on.

Ensure the Flush Pipe is correctly positioned on the Pan Bracket.

Continue with installation.

Under Counter Access

Refer to pages 12 to 13 for installation procedure.



Accurate positioning of the soil pipe relative to studwork is essential.

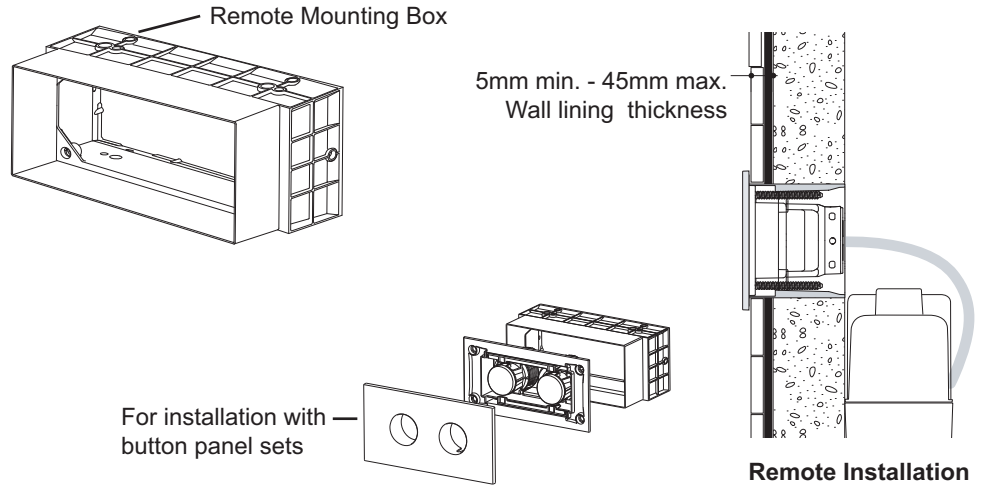
The Bracket system is suitable for installation only where non compressible wall materials are used.

To achieve a minimum under counter cavity of 90mm the soil pipe must be accurately centralised.

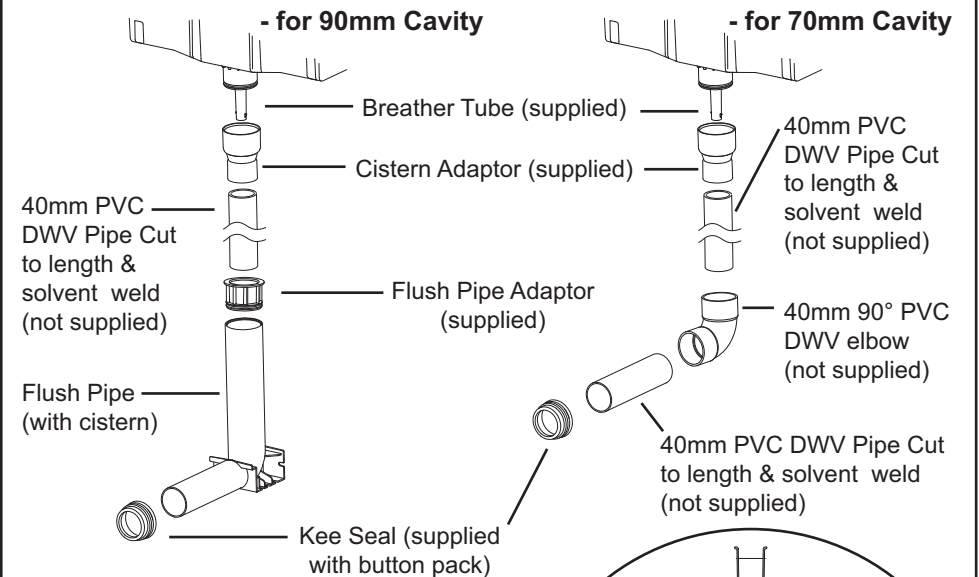
Kit Includes

- Remote Mounting Box
- 2 x 4m Pneumatic Tubes
- Elevated Flush Pipe Parts

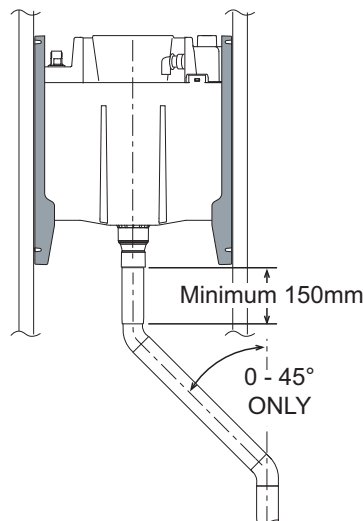
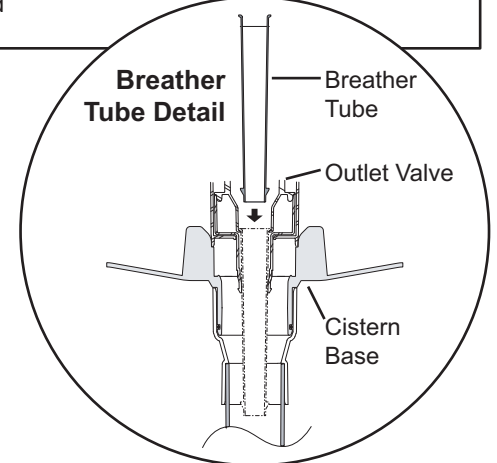
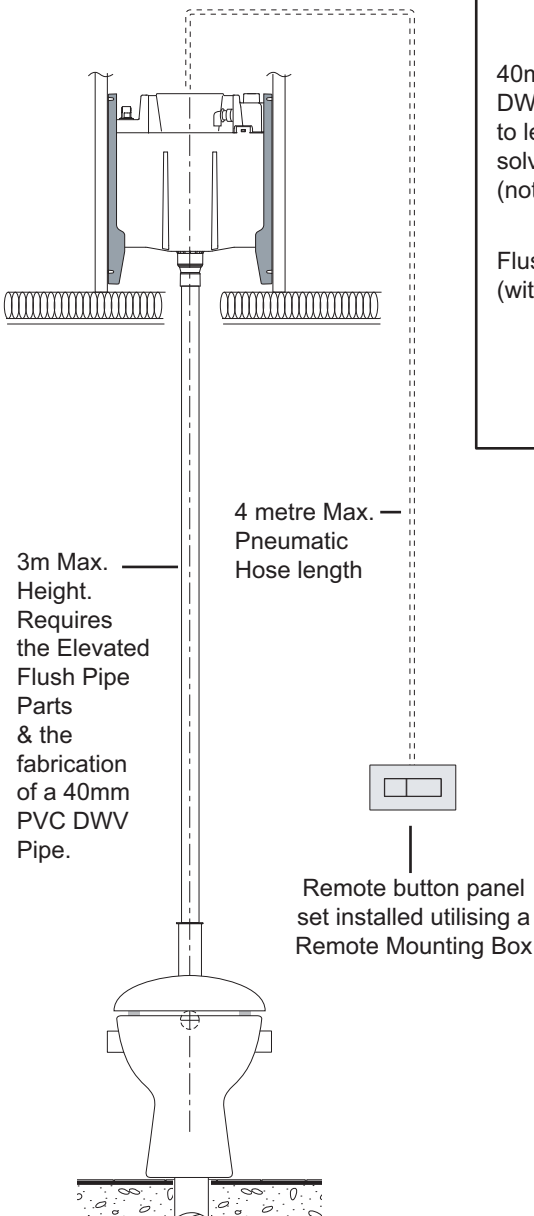
The Remote Mounting Box has been specifically designed in conjunction with and to facilitate the installation of button panel sets in remote Invisi II installations.



Elevated Flush Pipe Parts



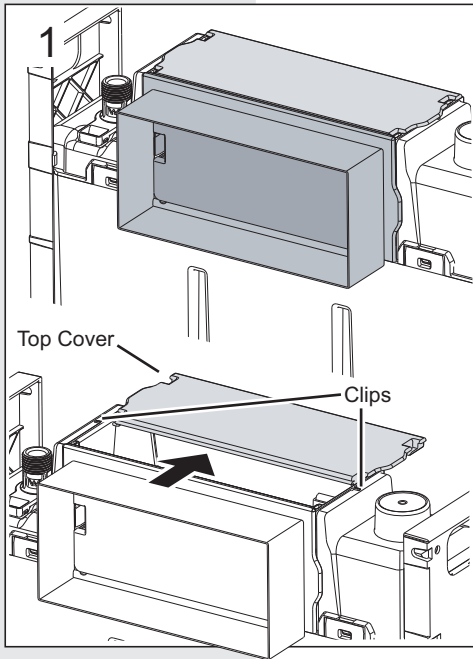
Example - Inceiling/Remote Installation



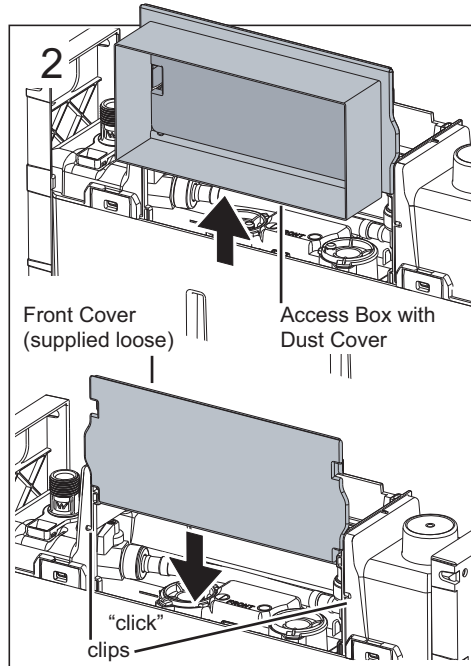
Example - Offset/Remote Installation

NOTE:
All flush pipe offsets must be run at 45°. The inclusion of any additional bends in the flush pipe may have a negative effect on the products flushing performance.

The Cistern is supplied standard with Front Access.
For conversion from Front to Top Access follow this procedure.

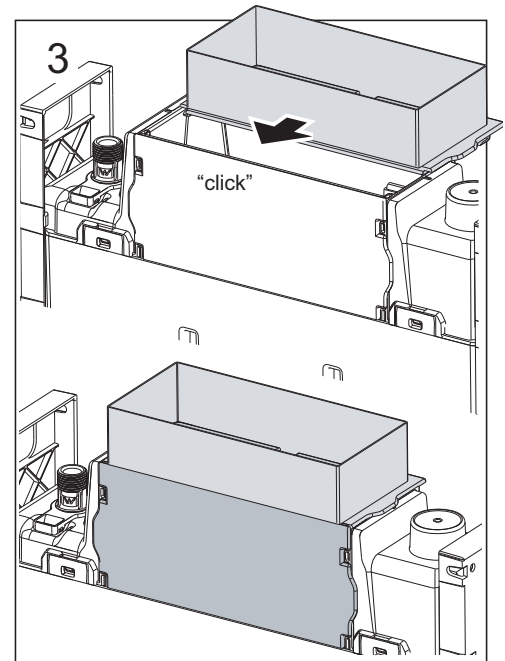


Slide the Top Panel back and off the lid. (This panel will no longer be required). There are clips at each end so the Top Panel should be carefully levered or flexed to clear both clips.



Slide the Access Box up and off the lid. There are clips at each end so the Top Panel should be carefully levered or flexed to clear both clips.

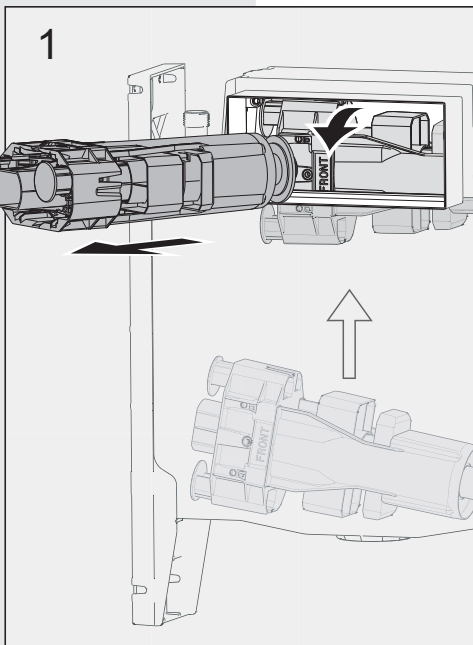
Find the Front Panel supplied loose in the pack (This panel is slightly larger than the Top Panel). Slide the Front Panel onto the lid ensuring it locks into position.



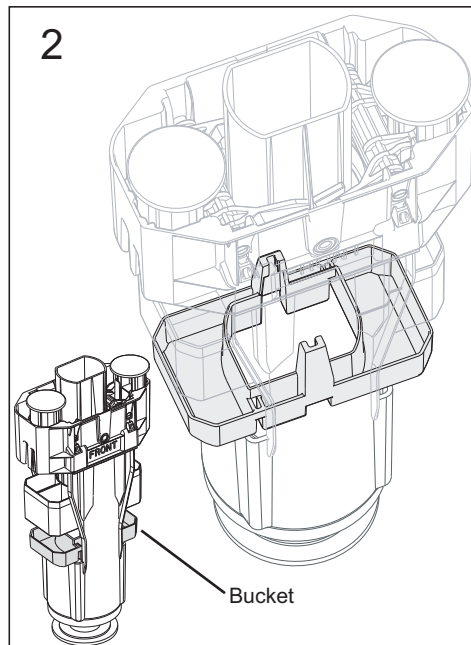
Slide the Access Box onto the lid ensuring the overhang tab is to the rear of the cistern and it locks into position.

The Panel and Access Box should lock together neatly as shown.

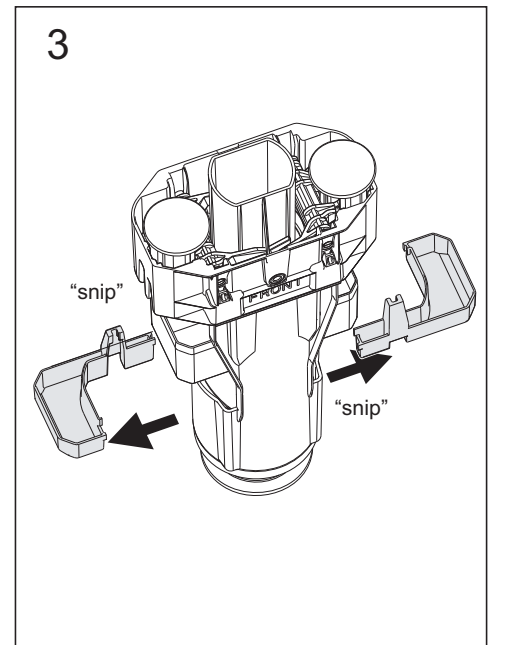
6/3 Litre Conversion



Ensure mains water is turned off and remove Outlet Valve from cistern as per the instructions page 21.



Using side cutters or a knife cut the Bucket in all 4 places.



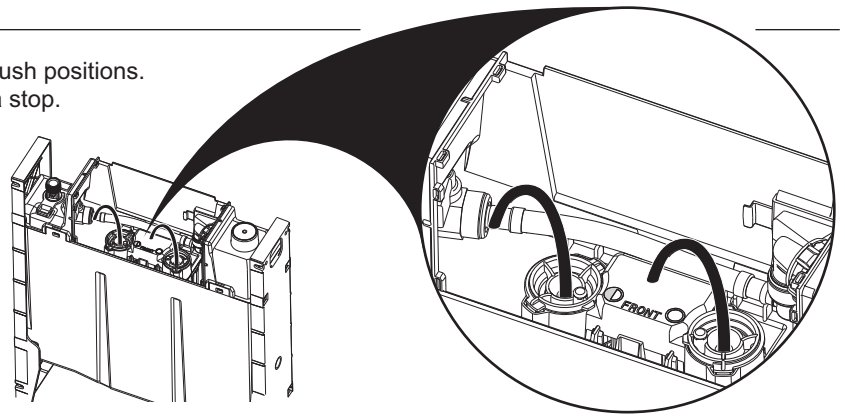
Remove and discard Bucket. Refit Outlet Valve and all other internals back into the cistern.

Pneumatic Tube Connections

Firmly connect the pneumatic tube into the half and full flush positions. Each tube should be inserted approx. 16mm until it hits a stop.

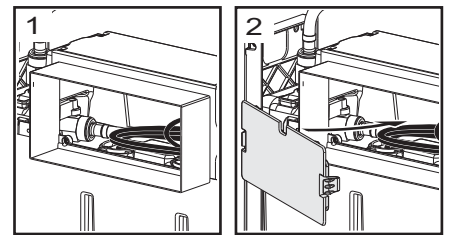
NOTE:

- 4.5/3L Cisterns are supplied with 0.5m length pneumatic tube.
- Remote Mounting Box Kit is supplied with 2 x 4m lengths of pneumatic tube.
- 4m lengths of pneumatic tube can be purchased separately Part No. 237 702



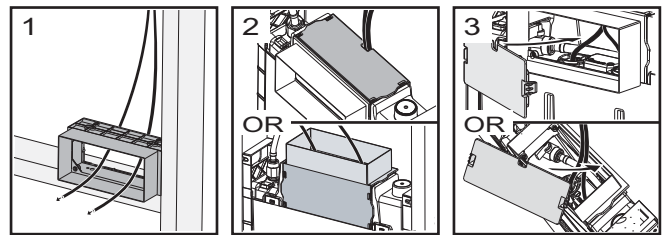
Direct Panel Mounting

Cut Pneumatic Tube in half so you have 2 x 0.25m lengths. Attach the tubes to the cistern as shown above. Tuck neatly back inside the Access Window and clip the dust cover panel back into position. When finishing the wall, clad and tile right up to the edge of the Access Window.



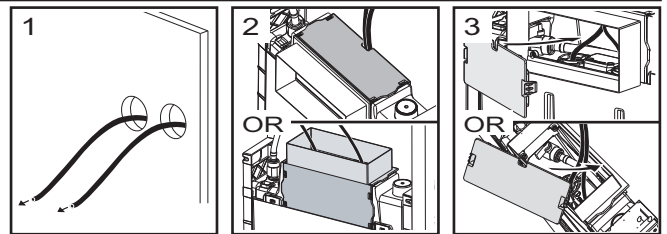
Remote Panel Mounting

Attach the tubes to the cistern as shown above. Break out tab in the Top Panel or Dust Cover Panel to allow the Tubes to protrude and clip back into position. Feed the 4m lengths of Pneumatic Tube through the framework and out through the Mounting Box. Apply tape over end of tubes to prevent any dirt from getting inside and tuck neatly back inside the Mounting Box. When finishing the wall clad and tile right up to the edge of the Access Window and or Remote Mounting Box.



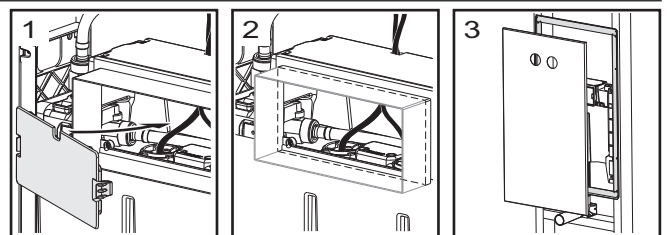
Remote Button Mounting

Attach the tubes to the cistern as shown above. Break out tab in the Top Panel or Dust Cover Panel to allow the Tubes to protrude and clip back into position. Feed Pneumatic Tubes through the framework and out through the Drilled Holes. Apply tape over end of tubes to prevent any dirt from getting inside and tuck neatly back inside holes.

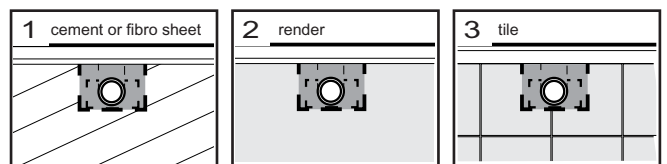


Large Button Panel

Attach the tubes to the cistern as shown above. Break out tab in the Top Panel to allow the Tubes to protrude and clip the Dust Cover Panel back into position. Trim the Access Window all around so it protrudes between 10-15mm from the front face of the Dust Cover Panel. Apply tape over end of tubes to prevent any dirt from getting inside and tuck neatly back inside the large Access Window.

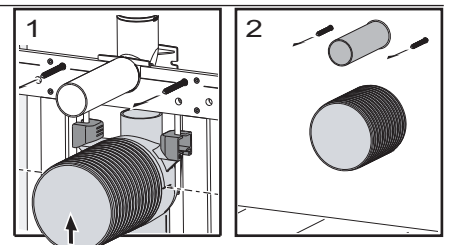


Options for Finishing Around the Flush Pipe

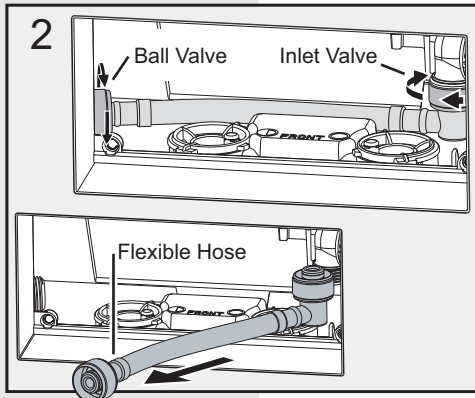
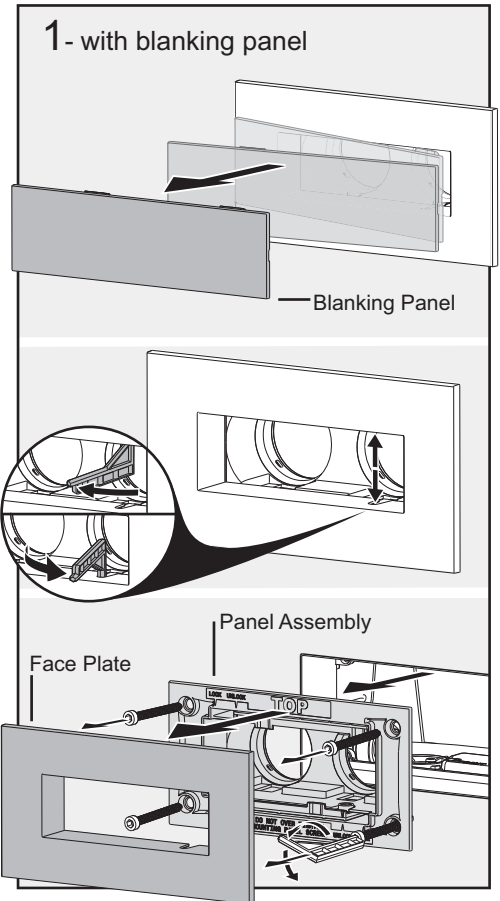
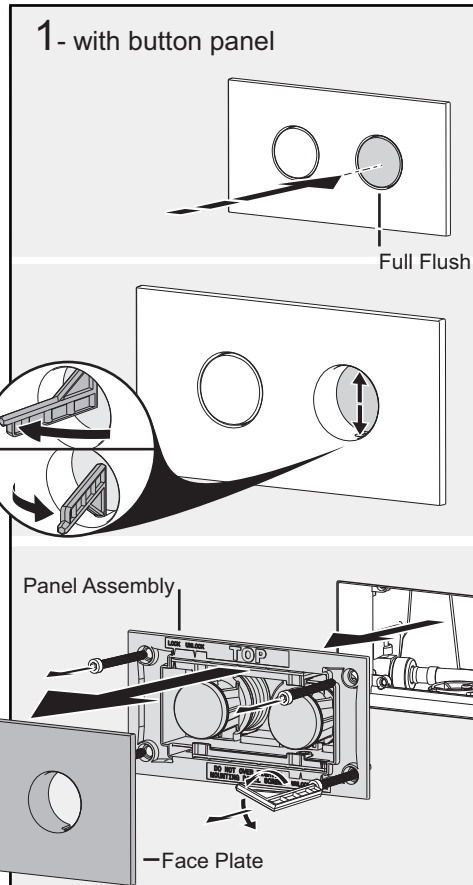
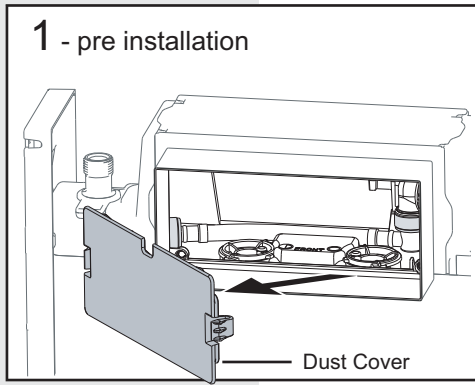


Pan Bracket

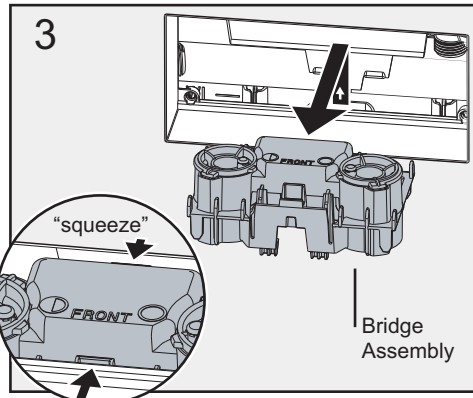
Ensure the Wall Hung Pan Mounting Bolts, Flush Pipe and Waste Pipe are all set to the correct height and spacing to suite the selected pan. When finishing the wall clad and tile right up to the edge of these parts.



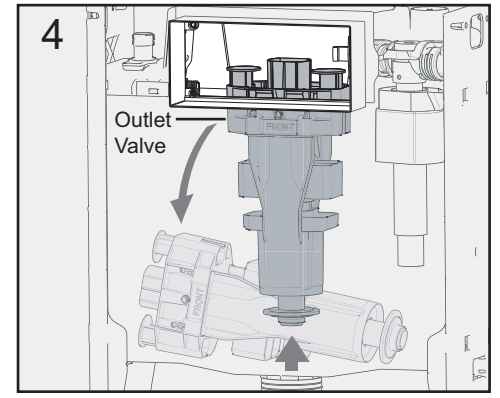
Removing Internal Components through Access Window



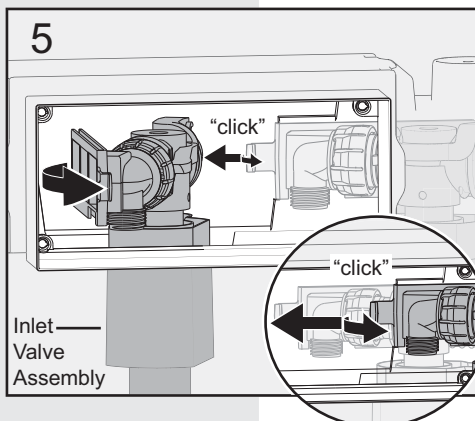
Disconnect Flexible Hose from the Inlet Valve and the Ball Valve.



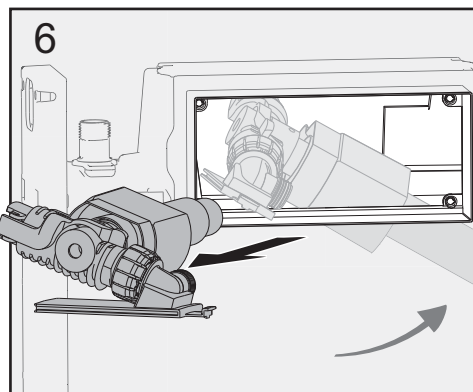
Remove the Bridge Assembly by squeezing tabs front and back to disengage from locking tabs inside the tank.



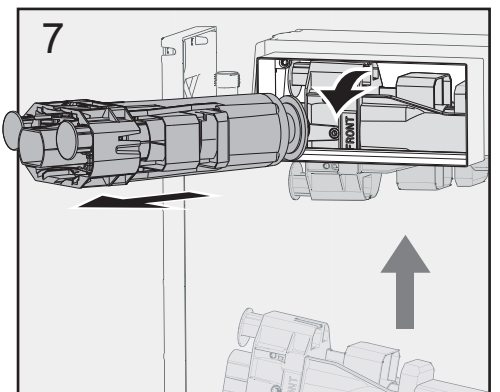
Lift the Outlet Valve to disengage from guide ribs in the base of the tank and lay over on it's side.



Lift tab and slide the Inlet Valve Bracket to the left.



Rotate and remove the Inlet Valve



Lift the Outlet Valve from the base of the tank, roll forwards and rotate so the button end comes out first.
NOTE: Reverse procedure to reassemble.

Servicing Requirements

- Servicing is only required in instances where outlet valve operation is found to be faulty.

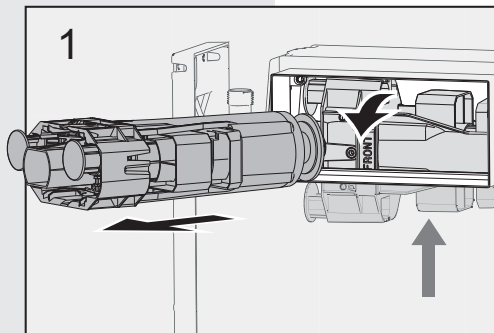
Troubleshooting Guide

- If Outlet Valve leaks ► Inspect seal for damage and replace if necessary.
- If short flushing ► Check pneumatic tubes are pushed into the bridge and buttons
- If any other issues arise ► Consult a plumber or Caroma After Sales Service.

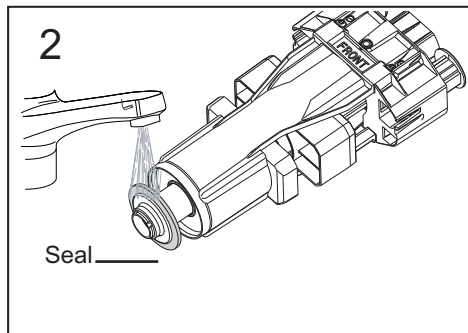
Spare Parts Information

- Caroma Invisi II Outlet Valve compatible Spare Part Kits are:
 - 237 272** Containing - **1 x Complete 4.5/3L Outlet Valve**
 - 237 302** Containing - **1 x Diaphragm Seal**
 - Refer to - **Maintenance & Spare Parts Instructions**

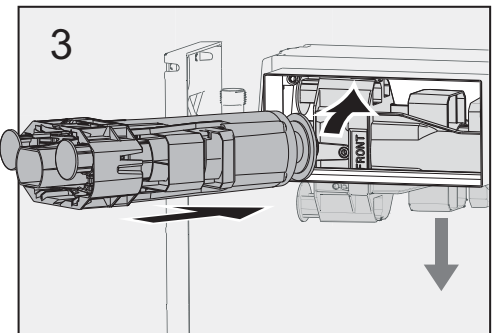
Maintenance & Spare Parts Instructions



1
Ensure mains water is turned off and remove Outlet Valve from cistern as per the instructions on page 21.



2
Wash seal to remove any dirt and inspect for damage. If necessary remove seal and replace (Spare Part Kit 237 302).



3
Re-assemble complete Outlet Valve and refit into cistern. Turn mains water back on, wait for cistern to fill and test both buttons to ensure they activate the outlet valve.

Servicing Requirements

- Inlet Valve Seal may require periodic cleaning (dependant on water quality).
- procedure as defined below.

Troubleshooting Guide

- Inlet Valve is slow to fill OR fails to open ► Ensure tap is open.
- Inlet Valve fails to close ► Clean & inspect seal as described above, replace Cap Assembly & Seal if damaged.
- If any other issues arise ► Consult a plumber or Caroma After Sales Service.

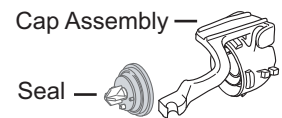
Spare Parts Information

- Caroma Invisi II Inlet Valve compatible Spare Part Kits are:

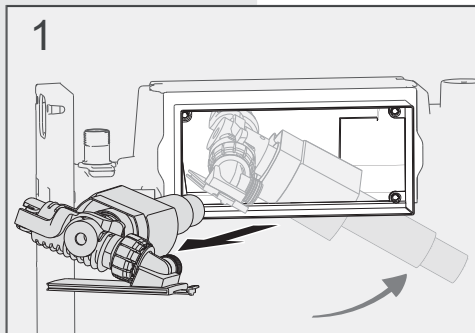
687 171 Containing - **1 x Complete Unifill Inlet Valve**
with bayonet connection

687 049 Containing - **1 x Cap Assembly**
- **1 x Seal**

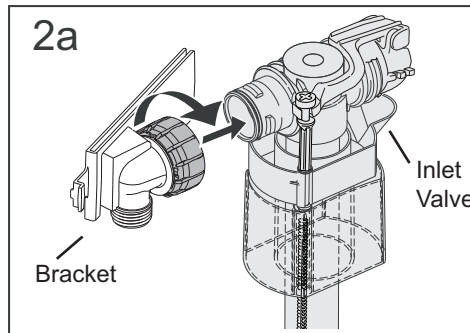
Refer to - **Maintenance & Spare Parts Instructions**



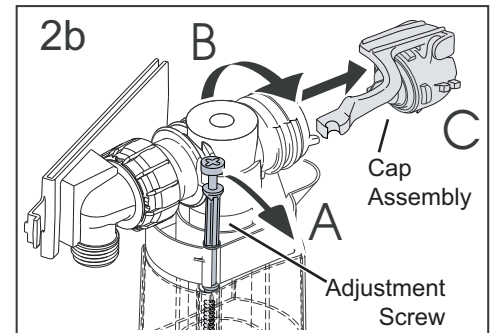
Maintenance & Spare Parts Instructions



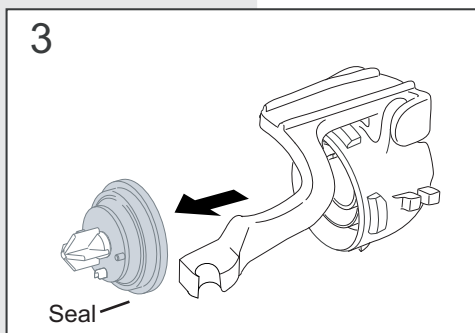
1
Ensure mains water is turned off and remove Inlet Valve from cistern as per the instructions on page 21.



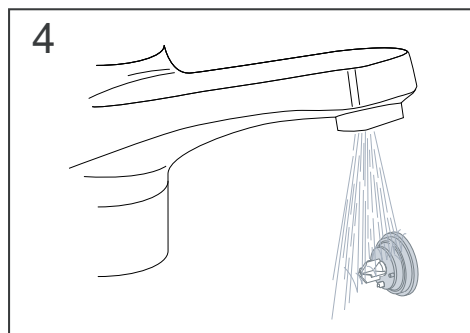
2a
To replace complete Inlet Valve:
rotate nut clockwise & pull to disconnect it from the Bracket.



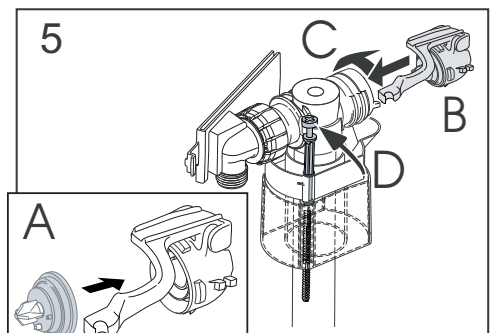
2b
To clean and inspect seal:
unclip the Adjustment Screw, rotate clockwise & pull to remove cap assembly.



3
Remove seal from Cap Assembly.



4
Wash seal to remove any dirt and inspect for damage.



5
Replace seal onto cap assembly. If necessary replace cap & Seal (Spare Part Kit 687 049)
Push & rotate anti-clockwise to re-attach cap assembly, re-clip Adjustment Screw and refit into cistern.

Recommended Water Supply Pressure

Water Supply pressure minimum 30 kPa - Maximum 1000 kPa

Helplines

Australia

1300 CAROMA (1300 227 662)

New Zealand

09 279 2700

Caroma International

+61 3 9926 5477

USA

1800 605 4218

Caroma Industries Limited

ABN 35 000 189 499

Locked bag 20, Epping, NSW 2121, Australia

www.caroma.com.au

www.smartflush.com.au

www.caroma.co.nz

www.caromausa.com