

CUBUS UTILITY WALL BASIN PLUMBERS INSTALLATION INSTRUCTIONS PLEASE READ CAREFULLY BEFORE INSTALLATION

IMPORTANT

Provide suitable reinforcement behind finished wall for the basin D.200 Fixing at the fixing height position.

Roughing in for D.200 Fixing Kit :

For timber stud walls, noggins and studs must be positioned at a height to allow for the location of fasteners as detailed in **Figure 1**.

BASIN INSTALLATION WITH D.200 FIXING KIT

- 1- Mark fixing screw hole position on finished wall at the recommended height as detailed in **Figure 1**.
- 2- Drill two Ø12mm holes in masonry wall for expansion fasteners. For timber stud walls drill two Ø8mm holes for Fixing Screws.
- 3- Insert expansion fasteners into the drilled holes in masonry wall. Screw Fixing Screws into the wall using the flats located on the screws section of the stud and spanner as shown in **Figure 2**.
Allow 48mm of thread to protrude from the finished wall.
- 4- Fit taps and waste assembly to the basin.
- 5- Locate basin onto the Fixing Screws on the wall. Insert plastic bushes, metal washers and fasten to wall with fixing nut. To complete assembly as detailed in **Figure 3**.
- 6- The Plastic Bush allows for leveling adjustment if required by rotating the hexagonal head bush, the basin will be slightly raised or lowered as shown in **Figure 3**.
- 7- Tighten fixing nuts and connect plumbing to complete the installation.

All measurements are subject to accepted manufacturing tolerances.
To ensure accuracy please check actual product dimensions before drilling for installation.
The manufacturer reserves the right to change specifications at any time without giving prior notification.
This product should be installed by a qualified plumber. Local authority, Water Board, and Building Regulations may apply to the installation of this product, and you should consult the appropriate bodies on these requirements.

Fixing Positions D.200 Fixing Kit

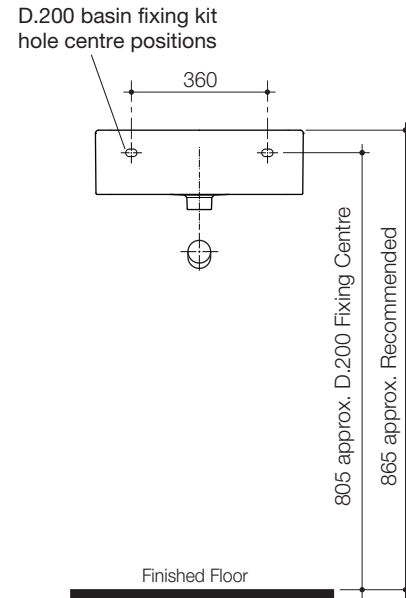
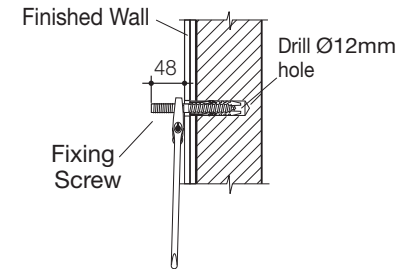


Fig. 1

Fixing Screw Masonry Walls Installation



Fixing Screw Timber Stud Walls Installation

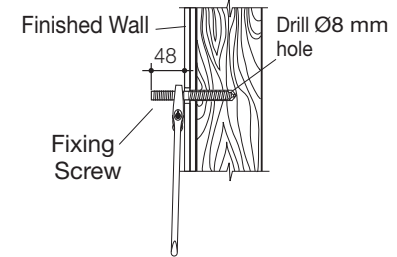


Fig. 2

D.200 Fixing Screw Kit Completed Installation

Plastic bush for leveling adjustment rotate hexagonal head

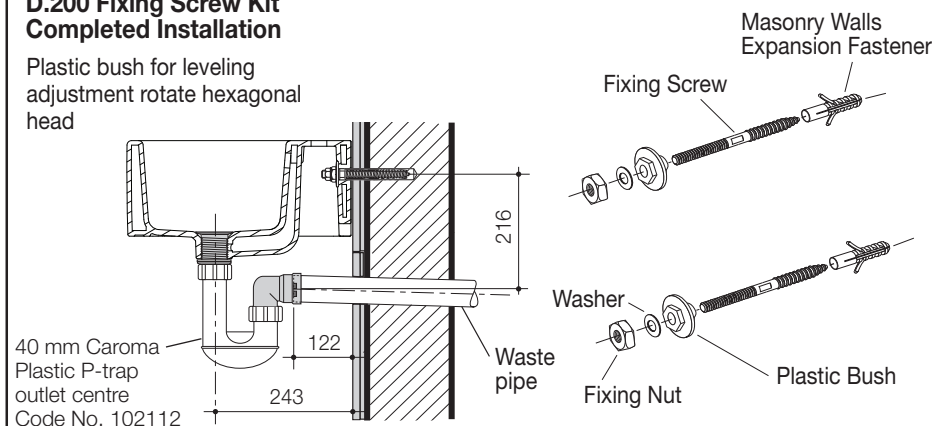


Fig. 3