

# Caroma®

## Junior 100

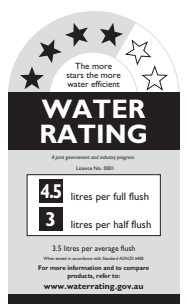
Plastic 4.5/3 litre Dual Flush  
Connector Toilet Suite



CI/SfB	(74.1)	g3
Date	May 2015	

Supersedes all previous issues

# 3.80.1



# Caroma®

## Junior 100

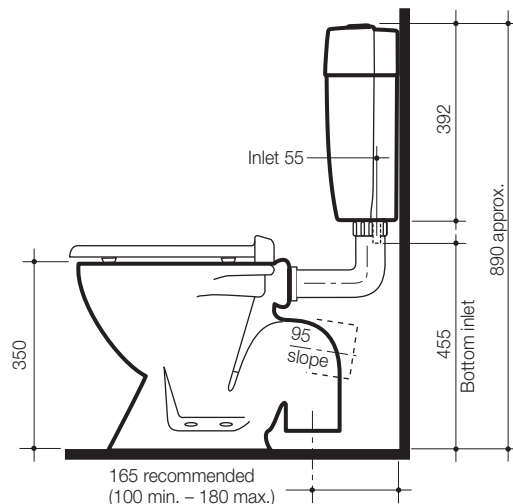
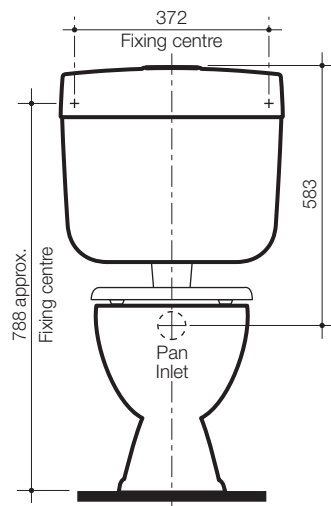
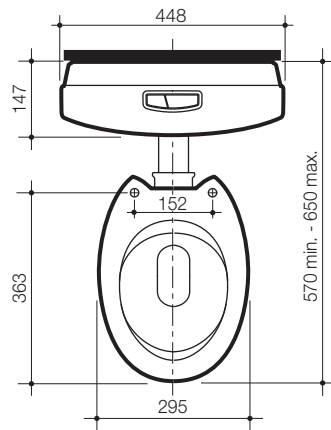
### Plastic 4.5/3 litre Dual Flush Connector Toilet Suite



Junior 100 'S' trap connector suite shown

The **Junior 100** connector toilet suites incorporate a reduced height toilet pan specially designed for infants. A new generation in water-saving technology sanitaryware product, the **Junior 100** connector toilet suite uses Caroma Smartflush technology to deliver a 4.5/3 litre dual flush toilet suite system.

- Pan:** **Junior** 4.5/3 litre full flush wash down pan.
- Traps:** S and P-trap only. Slope of P-trap 95°.
- Inlet:** Dual purpose for 40mm or 50mm diameter flush pipe. Specify 50mm diameter flush pipe for mid-level and low-level installations.
- Cisterns:** Plastic cistern – **Slimline** cistern – A one piece injection moulded tank with a well fitting removable lid housing and centrally positioned push buttons.
- Inlet Valve Overflow:** 50mm back inlet. 40mm key seal is available if required.
- Seats:** The **Junior** standard toilet seat is supplied with the Junior 100 toilet suite. See *chapter 5.01 SEATS of the Caroma Technical Manual for further details.*
- Colours:** White only.
- Installation:** The installation of the toilet suite shall be in accordance with the normal minimum drainline grade requirements in AS/NZS 3500.2.
- Dimensions:** All dimensions are in millimetres and are subject to normal manufacturing variations. Caroma pursues a policy of continuing improvement in design and performance of its products. The right is therefore reserved to vary specifications without notice.



Junior 100 4.5/3 litre Connector Suites:	Code No:
Bottom Inlet with Slimline Cistern and Junior Seat	S trap 984241W
Bottom Inlet with Slimline Cistern and Junior Seat	P trap 984246W

**Note:** All height dimensions to underside of pan, make allowance for bedding.

**Bedding:** The pan should be fixed to the floor with a sand cement mixture of 3:1 to a depth of 60mm. Do not use lime or fast drying cement in the bedding mixture. When bedded the back of the foot of the pan should be approximately 10mm above the finished floor.

**Screw fixing:** The pan should be bedded with an acetic cured silicone sealant and fixed with corrosion resistant screws and pan guard washers. Use Caroma screw fixing kit. Code No.601150.