

Caroma®

CI/SfB	(74.2)	g3
Date	August 2016	

Supersedes all previous issues

Teo 460

Ceramic Wall Basin

Nominal Size: 460mm x 460mm (nominal)

1.17.1



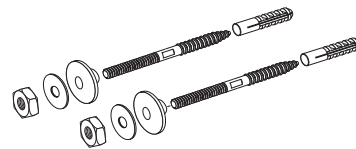
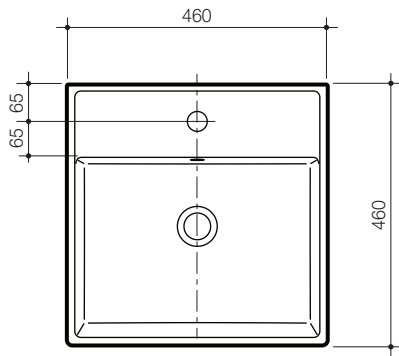
Teo 460



Tapware and bottle trap shown not included.

Teo is impressive with clean straight lines in a variety of sizes providing a consistent solution to all bathroom spaces. The basin is suitable for domestic and commercial applications.

- Tap Holes:** Basin available in: No tapholes Code No. EU8031G05; One taphole Code No. EU8031G15.
- Waste Outlet:** The basin has been designed for the Caroma waste outlet suitable for a 40mm trap connection. Chrome flush fitting waste and white plug supplied. Alternative waste options are available — Plug & anti-vandal flush fitting chrome waste Code No.687141C; Plug & chrome grate waste Code No.687328C.
- Traps:** 40mm Caroma Plastic Long P-trap outlet centre Code No.102112; 40mm Modina bottle trap Code No.687290C; 40mm Eco bottle trap Code No.687295.
- Bowl Capacity:** 5.2 litres to overflow
- Overflow:** Overflow available only. Designed for maximum tap flow rate of 9 litres/minute.
- Fixing:** **Wall Basin Fixing Kit** – Supplied. Bolts directly to the finished wall.
- Colours:** White only.
- Dimensions:** All dimensions are in millimetres and are subject to normal manufacturing variations. Caroma pursues a policy of continuing improvement in design and performance of its products. The right is therefore reserved to vary specifications without notice.



Basin Fixing Screw Kit

