

Caroma® 'G' SERIES PLUS - SINK SET

WATER EFFICIENT TAPWARE

PLUMBERS INSTALLATION INSTRUCTIONS

Important Information

- * Not suitable for gravity feed systems.
 - * If the outlet (24) is required to swivel, it is recommended that it is converted prior to installing into the deck (see Fig.6, Sht 2).
 - * The outlet is fitted with a flow regulated aerator insert.
 - * Isolating stop taps are recommended to be fitted to the inlet connections. (Part No: 842018C - Mini cistern 1/4 T)
 - * All pipework must be thoroughly flushed prior to installation, as foreign materials may block the flow regulating device and reduce the flow of water.
- Note: Aerator insert housing must be retightened to prevent removal by hand.**

Installation (Fig.1 & 2 or 3)

- 1) Measure centre distance between tap body holes in deck, cut breach piece (17) to required length. (As a guide see cutting template below)
- 2) Install the threaded tail of sink outlet base (21) with seal (20) into deck hole. Rotate outlet base (21) so that the **caroma** marking is facing towards the front. Fit washer (19) & backnut (18) and tighten.
- 3) Fit compression nuts (16) and olives (15) to each end of breach piece (17), connect to tap bodies (14) and tighten compression nuts (16) slightly.
- 4) Fit one locknut (12) and one washer (13) to each tap body (14). Install assembly into deck ensuring "O" rings on breach piece (17) are not damaged as they enter tail of basin outlet base (21). Fit remaining washer (13) and locknut (12), adjust locknuts (12) so that the tap bodies (14) protrude 5mm above the deck and tighten.
- 5) Tighten compression nuts (16) on the breach piece (17).
- 6) To install ceramic disc cartridges (12), first determine handle closing position.

Forward closing lever handles (ideal for opening using elbows) (Fig.2)

- Hot Tap: Fit contra rotation cartridge (blue seal 11).

Outward closing lever handles (more suitable for hand opening) (Fig.3)

- Hot Tap: Fit normal rotation cartridge (red seal 11).

- 7) Remove locknut (8), cap (9) and fibre washer from cartridge (10). Screw cartridge (10) into tap body (14). Using a suitable spanner, tighten cartridge (10) until it comes to a firm stop. (DO NOT TIGHTEN CARTRIDGE USING SPINDLE). Fit fibre washer and then locknut (8) and tighten using a suitable spanner.

250mm 225mm 200mm 175mm 150mm

BREECH PIECE

CUTTING TEMPLATE

Cut to suit measured centre distance in basin top of 140mm

IMPORTANT	
Pressure & Temperature Requirements.	
•	Hot and cold water inlet pressures should be equal.
•	Static inlet pressure range : 150 -1000 kPa New Regulation :-500 kPa maximum static pressure at any outlet within a building. (Ref. AS/NZS 3500.1)
•	Maximum hot water temperature : 80°C.
Deck Requirements	
•	Centre distance between tap body holes :120-256mm
•	Deck thickness : 25mm maximum
•	Tap body holes (in deck) : Ø34-36mm
•	Tap outlet hole (in deck) : Ø22-25mm

- 8) With cartridge spindles in the fully closed position (Fig.2 or 3), fit inserts (6) onto spindles then check that lever of handles (1) are in correct alignment with each other when fitted to handle inserts (6). For small adjustments to handle position, cartridge (10) can be rotated **slightly** in an anti-clockwise direction until handles are aligned before tightening locknut (8). Remove handles (1) and handle inserts (6). Fit flanges (7) then replace inserts (6) & retain with washers (5) & nuts (4). Align handles (1) as before then engage with insert (6) & tighten screw (2) with 2mm allen key (3).

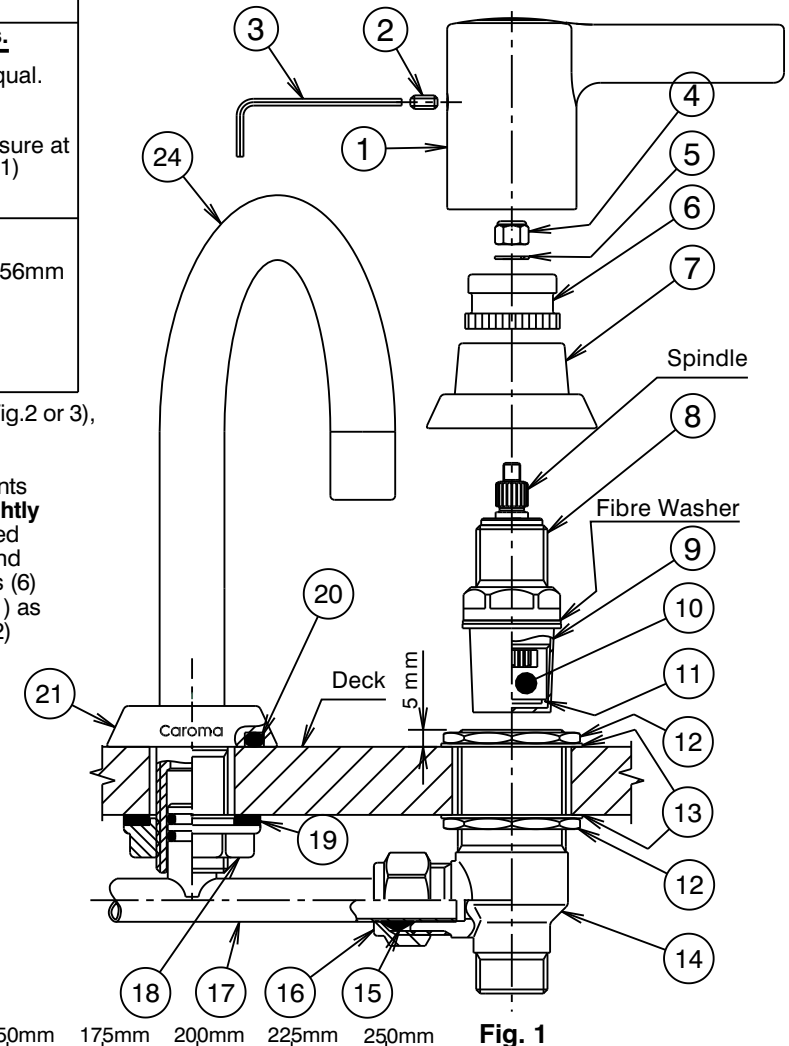
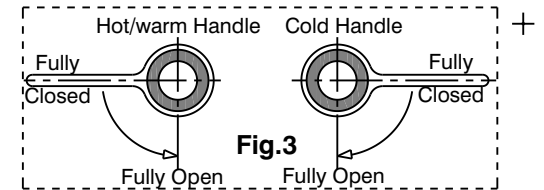
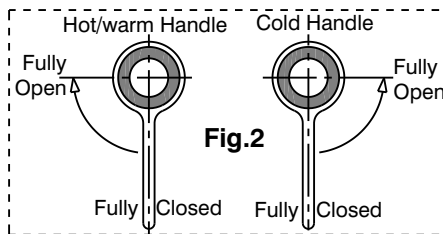


Fig. 1

Caroma® 'G' SERIES PLUS - SINK SET

WATER EFFICIENT TAPWARE

PLUMBERS INSTALLATION INSTRUCTIONS

Converting the outlet from fixed to swivel (Fig.6)

The outlet (24) is supplied as fixed. To convert to 100° restricted swivel proceed as follows:

- 1) Remove screw (22a) using a 2mm allen key (3). Carefully slide the outlet (24) from the spigot of base (21), remove retainer (23a) & fit the alternate retainer (23b) supplied.
- 2) Ensure suitable lubricant is applied to the retainer & 'O' rings, then carefully slide the outlet (24) onto the spigot of base (21). Rotate the outlet (24) to align the hole in the outlet with the threaded hole in the retainer (23b) then fit screw (22b) and tighten.

Changing the indicator (Fig.5)

- 1) Loosen screw (2) using a 2mm allen key (3) & remove handle (1). Remove screw (25) & washer (26) using a 3mm allen key. Push out retainer (28) & indicator (27).
- 2) Push in new indicator (27) followed by retainer (28). Assemble screw (25) with washer (26) then screw into the retainer (28) & tighten with the 3mm allen key. Align handle (1) as before then engage with insert (6) & tighten screw (2) with 2mm allen key (3).

Cleaning the Aerator Insert (Fig.6)

- 1) Carefully remove housing (29) from outlet tube (24), taking care not to damage the decorative finish.
- 2) Remove 'O' ring (31) & aerator insert (30) from housing (29). Check that housing is clean. Deposits of lime can be removed by washing in a vinegar solution.
- 3) Fit aerator insert (30) into housing (29) followed by 'O' ring (31) then screw assembly onto outlet tube (24) & tighten securely (to prevent removal by hand).

