

PLUMBERS INSTALLATION AND MAINTENANCE  
INSTRUCTIONS



**G Series E Hands Free Basin Tap**



**G Series E Hands Free Basin Mixer**

# G SERIES

E HANDS FREE BASIN MIXER / TAP

# Caroma<sup>®</sup>

# INDEX

- 3** TECHNICAL DATA
  - 5** PACK CONTENTS
  - 6** PRE-INSTALLATION INFO
  - 7-8** MIXER OR TAP INSTALLATION
  - 9-12** SETTINGS ADJUSTMENT
  - 13** BATTERY REPLACEMENT (BATTERY MODELS ONLY)
  - 14** MAINTENANCE
    - Filter washers cleaning instructions
    - Care and cleaning of chrome and special finishes
  - 14** SPARE PARTS LIST
  - 15** TROUBLE SHOOTING
-

# IMPORTANT

## PRESSURE & TEMPERATURE REQUIREMENTS

1. Hot and cold water inlet pressures should be equal.
2. Static inlet pressure range 150-800 kPa - New Regulation 500 kPa maximum static pressure at any outlet within a building (Ref. AS/NZS 3500.1-2003, Clause 3.3.4)
3. Maximum hot water temperature: 70°C

## DECK REQUIREMENTS

1. Deck thickness: 35mm maximum
2. Tap body hole (in deck): Ø34-Ø36mm

## POWER REQUIREMENTS

Mains operation: 240V 50Hz 3 pin socket with Battery Backup (Dual Power Input Box)  
Battery operation: IP67 Dual Power Input Box (9V battery not included)

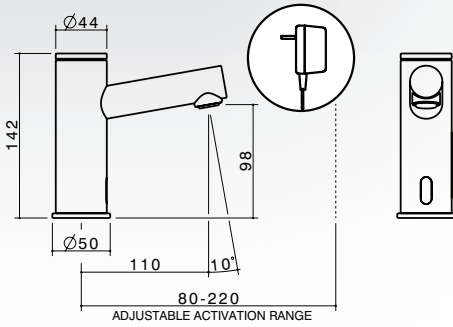
## IMPORTANT INFORMATION

1. Not suitable for gravity feed systems
2. Tapware is fitted with a flow regulated aerator insert. This low flow rate may not be suitable for connection to some instantaneous Gas Water Heaters, some Tempering Valves, some Solar Water Heaters & some Thermostatic Mixing Valves. Check with the manufacturers of these products.
3. Isolating stop taps must be fitted to the hot & cold water supply connections. (Part No. 842018C - Mini cistern 1/4T)
4. All pipework must be thoroughly flushed prior to installation, as foreign materials may block the flow regulating device and reduce the flow of water.
5. Do not install facing a mirror or any other electronic system operated by an infrared sensor.
6. To prevent reflection problems, it is recommended to keep a minimum distance of 1.50 meters between the mixer or tap and any other objects.
7. Flexible tails have a left hand thread connection to tap/mixer body. Rotate clockwise to remove.

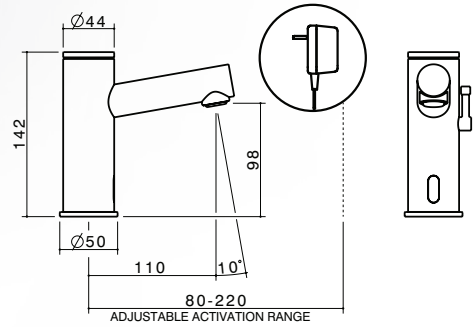
## TECHNICAL DATA

1. Preset sensor range: 220mm (Adjustable)
2. Minimum sensor range: 80mm
3. Maximum sensor range: 220mm
4. Security time: 90 seconds (Adjustable)

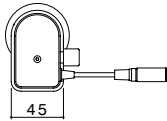
# TECHNICAL DATA



G-Series E Hands Free Tap G16006E6A



G-Series E Hands Free Mixer G16004E6A



IP67 Dual Power Input Box Kit SP63013

# PACK CONTENTS

Familiarise yourself with the part names and confirm that the parts are included.

## ONE INLET

1x Tap and attachments

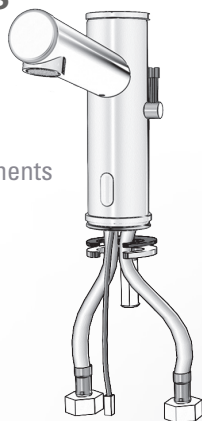


1x Filter washer

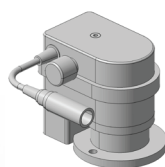


## TWO INLETS

1x Mixer and attachments



2 x Filter washers



DUAL POWER  
INPUT BOX

9V Battery box



MAINS  
OPTION

Transformer

# PRE-INSTALLATION INFO

## Check contents

Separate all parts from the packaging and check each part with the "Pack contents" section.

Pay attention to the different models variations.

Make sure all parts are accounted for before discarding any packaging material.

If any parts are missing, do not attempt to install your electronic mixer or tap until you obtain the missing parts.

## Warnings

Do not install facing a mirror or any other electronic system operated by an infrared sensor.

To prevent reflection problems, it is recommended to keep a minimum distance of 1.50 meters between the mixer or tap and any other objects.

## Preparation for installation

### Important:

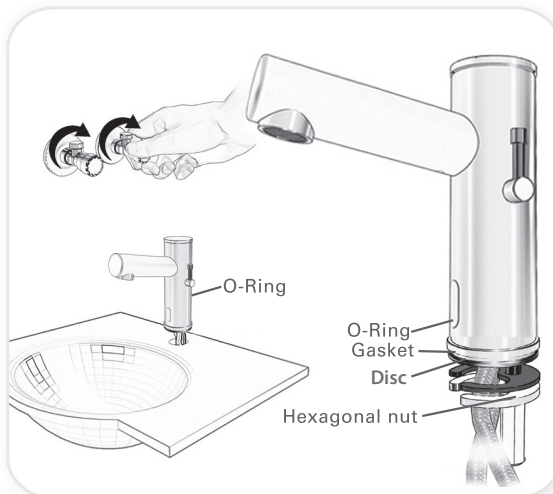
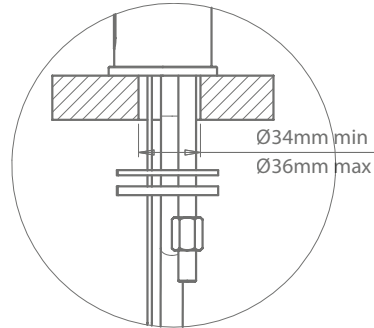
All pipework must be thoroughly flushed prior to installation, as foreign materials may block the flow regulating device and reduce the flow of water.

# MIXER OR TAP INSTALLATION

## Step 1 – Preparation for mounting the mixer or tap

Shut off water supply and remove the hexagonal nut, the disc and the gasket. Do not remove the O-ring from the base of the mixer or tap.

## Recommended hole size



## Step 2 – Installing the mixer or tap

1. Insert the inlet connection end of each flexible tail through the hole in the deck then place tap over deck hole. Make sure the O-ring is located between the deck and the bottom of the mixer or tap.
2. Slide the gasket and disc onto the threaded stud then screw on the hexagonal nut and tighten.

# MIXER OR TAP INSTALLATION

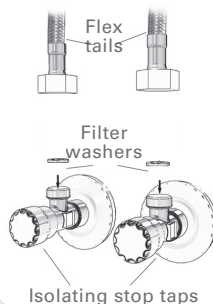
## Step 3 – Connecting the water supply

1. a. Flush lines, fit filter washer and connect the flexible tail to the water supply and tighten to compress the sealing washer to provide a watertight joint.
- b. For models with temperature control connect the red flexible tail to the hot water supply and the blue flexible tail to the cold water supply.

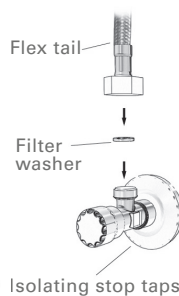
**Important:** Flexible tails must not be kinked, twisted or in tension when installed. (Minimum bend radius = 50mm). Do not install flexible tails where subject to ultra violet light.

2. Turn on the central water supply and the isolating stop taps.
3. Check for leaks.

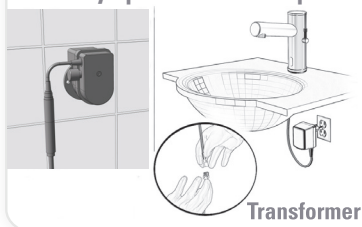
### 2 inlets version



### 1 inlet version



### Battery option      Mains option



## Step 4 - Connecting the power source

1. Connect the power source:
  - a. For battery versions: Insert 1 x 9V battery into Dual Input Power Box (see page 13 for details). Install the battery's box at the wall underneath the basin using the two sided adhesive foam tape. The cable connection must point down.
  - b. For mains option: Insert 1 x 9V battery into Dual Input Power Box (see page 13 for details). Remove protective rubber cap then connect the Transformer.

c. Connect the motor connector to the power source connector. Please note that since the connector is water proof, some friction might apply. **Important:** push in the connector so that the white o-ring is not visible and a clicking sound is heard. If not connected properly, the motor will work continuously.



2. Wait a few seconds before activating the mixer or tap.
3. If the range is unsatisfactory, refer to the section titled "Settings adjustment".



# SETTINGS ADJUSTMENT



## Adjusting the settings with the remote control

If necessary, the sensor settings can be adjusted as following:

Shut off the water supply. In order to adjust the sensor with the remote control, hold the remote control straight in front of the sensor in a distance of about 6-8" (15-20cm). Choose the function you want to adjust by pressing once on one of the function buttons. After pressing once on a specific function button, a quick flashing of the red light at the front of the sensor will occur. At this stage, you can change the setting by pressing the (+) or the (-) buttons, every push will increase or decrease one level. After finishing the adjustment, turn the water supply back on.

# SETTINGS ADJUSTMENT



**DETECTION RANGE:** The sensor range is the greatest distance that an object can be away from the sensor to activate the mixer or tap. The sensor is factory preset.

To adjust the sensor range press + to increase detection range and – to decrease the detection range of the sensor.



**SECURITY TIME:** The Security time, prevents continuous flushing of water due to reflections or vandalism. By default, if the sensor is covered for more than 90 seconds the water flow will shut automatically. To resume regular operation any obstruction must be removed.

Press the SEC button. Wait until a quick flashing of the red light of the sensor eye is perceived. Then, press + to increase the security time and – to reduce it.



**DELAY IN TIME:** It is recommended to change the delay in time for flush valves for urinals or toilets only.

If required, the delay in time can be modified also in mixer or tap as follows: Press the IN button. Wait until a quick flashing of the red light of the sensor eye is perceived. Then, press + to increase the delay in time and – to reduce it.



**DELAY OUT TIME:** This button allows modifying the water flow time after the user removes his hands from the mixer or tap. A delay out time close to 0 will save more water. An increased delay out time will make the user experience more comfortable.

If required, the delay out time can be modified as follows: Press the OUT button. Wait until a quick flashing of the red light of the sensor eye is perceived. Then, press + to increase the delay out time and – to reduce it.



**24 HOUR HYGIENE FLUSH:** If you have a compatible model with a 24 hours hygiene flush it is possible to enable and disable it .

To activate the hygiene flush, press the clock button. Wait until a quick flashing of the red light of the sensor eye is perceived. Then press + to activate the hygiene flush or – to deactivate it.

# SETTINGS ADJUSTMENT



**LOCK OUT TIME:** It is possible to program a lock out time in Caroma products upon request. This lock out time allows a user to activate the mixer or tap, only after a specific amount of time has passed.

If a specific lock out time was preset in a Caroma product as default, and you would like to deactivate it, press the lock button. Wait until a quick flashing of the red light of the sensor eye is perceived. Then press + to activate the lock out time or – to deactivate it.

To activate it again, press the lock button and without releasing it, press the + button once.



**TEMPORARY OFF FUNCTION:** This function is ideal to perform any kind of activity in front of the sensor without operating the system (for example, cleaning).

Mixer or tap will remain shut for 1 minute when this button is pressed once. To cancel this function and to return to normal operation press the On/Off button again or wait 1 or 2 minutes depending on the product.



**RESET BUTTON:** This function allows the sensor to return to the original factory preset settings.

If required, press the Reset button and without releasing it, press the + button once.

# SETTINGS ADJUSTMENT

## Adjusting the sensor range without a remote control:

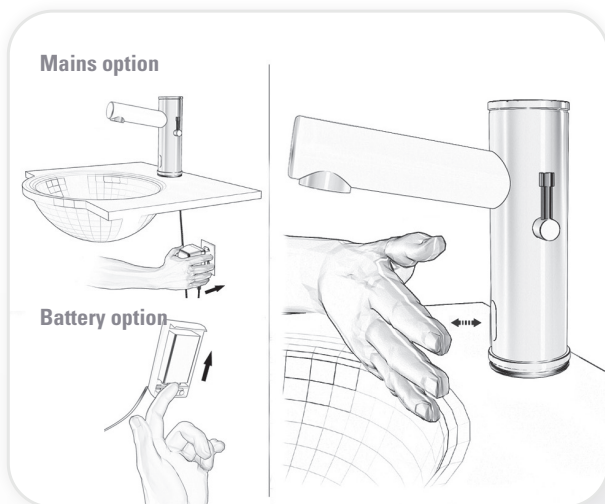
1. Disconnect the power supply, battery or transformer, from the sensor.
2. Activate the sensor three or four times.
3. Reconnect the power supply to the sensor.
4. To enter into the adjusting mode, put your hand in front of the sensor at a distance of 2"(5cm) to 4"(10cm) within 5 seconds after the reconnection of the power supply.

Note: If you will not put your hand in front of the sensor after connecting the power supply, the sensor will not enter into adjusting mode and the previous setting will return.

5. When the sensor enters into the adjusting mode and your hand is in front of the sensor, a slow flashing of the red light at the front of the sensor will occur.
6. Keep your hand at the front of the sensor until the slow flashing changes into quick flashing. At this point, move your hand to the required distance from the sensor and wait until the red light will stop flashing.

7. When the red light has turned off, the sensor has been adjusted to the required distance.

8. Check the distance you have set and if it is not satisfactory, repeat steps 1-6.



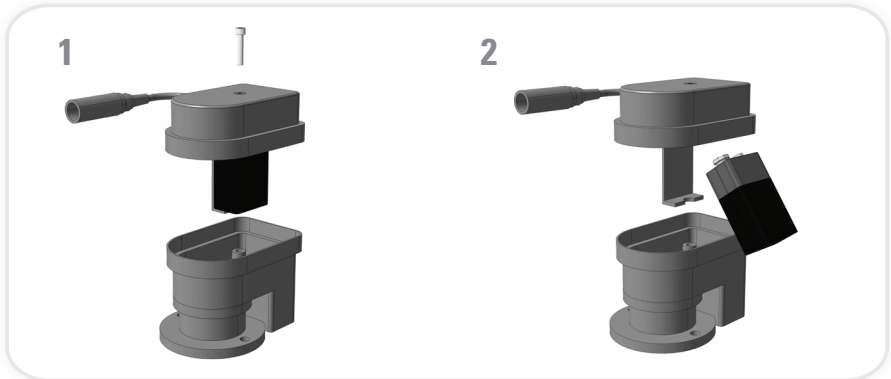
# BATTERY REPLACEMENT

## Battery option only

When the battery weakens, the red indicator light will blink at a constant rate when the user's hands are within the sensor range. The battery must be replaced within two weeks.

### To replace the battery on battery option:

1. Carefully open the battery's box. Remove the old battery.
2. Replace the used battery with a new 9V battery (Lithium battery is recommended). Close the box.



**Important:** Spent batteries should not be disposed of with normal household waste. Contact your local authority for information on waste disposal and recycling.



# MAINTENANCE

## Filter cleaning instructions

This mixer or tap is provided with one / two stainless steel filter washer(s) preventing foreign particles from entering the lines. If the water flow has decreased, this can be because the filter washer(s) is/are clogged. The filter washer(s) can be cleaned as follows:

1. Shut-off the water isolating stop taps.
2. Disconnect the flexible tail(s).
3. Remove the filter washer(s) and wash it/them under running water.
4. Reassemble the parts.
5. Make sure that there is no water leakage.

## Care and cleaning of chrome and special finishes

**DO NOT** use steel wool or cleansing agents containing alcohol, acid, abrasives, or the like. Use of any prohibited cleaning or maintenance products or substances could damage the surface of the mixer or tap. For surface cleaning of mixer or tap use **ONLY** soap and water, then wipe dry with clean cloth or towel. When cleaning bathroom tile, the mixer or tap should be protected from any splattering of harsh cleansers.

.....

## SPARE PARTS LIST

Remote control .....	Code: SP16012
IP67 Dual Power Input Box .....	Code: SP63027
Solenoid .....	Code: SP63019
G Series Hands Free Power Supply 9V .....	Code: SP63026

# TROUBLE SHOOTING

PROBLEM	INDICATOR	CAUSE	SOLUTION
No water coming out of the mixer or tap:	1. Sensor flashes continuously when user's hands are within the sensor's range.	Low battery.	Replace battery.
	2. Red light in the sensor does not flash once when user's hands are within the sensor's range.	1. Range is too short. 2. Range is too long.	Increase the range. Decrease the range.
		3. Battery is completely used up	The battery must be replaced.
	3. Red light in the sensor flashes once when user's hands are within the sensor's range.	4. Unit is in "Security Mode" <sup>**</sup>	
		5. Sensor is picking up reflections from the washbasin or another object.	Eliminate cause of reflection.
		1. Connectors between the electronic unit and solenoid are disconnected. 2. Debris or scale in solenoid.	Connect the electronic unit connectors to the solenoid. Unscrew solenoid, pull out the plunger and the spring from the solenoid and clean them. Use scale remover material if needed. <b>When replacing the plunger, please make sure that the spring is in vertical position.</b>
3. The central orifice in the diaphragm is plugged or the diaphragm is torn 4. The water supply pressure is higher than 800kPa.		Clean the orifice or replace diaphragm. Reduce the supply water pressure.	
	5. The water supply pressure is under 800kPa and yet the pressure in the mixer or tap's body is higher. This situation could be caused by a sudden increase in the water supply pressure that the check valve prevents from dropping, even after water supply pressure drops under 800kPa.	Shut off water supply and unscrew one of the flexible pipes in order to reduce the pressure that blocks the product.	
Water flow from spout does not stop:	1. Sensor flashes once when user's hands are within the sensor's range.	Debris or scale in diaphragm	Clean the orifice or replace diaphragm.
	2. Red light in the sensor does not flash once when user's hands are within the sensor's range.	1. Sensor is dirty or covered.** 2. Sensor is picking up reflections from the washbasin or another object.	Clean or eliminate cause of interference. 1. Decrease the range or eliminate cause of reflection.
Water flow diminished		Filter or aerator is clogged	Remove, clean, re-install

\* "Security Mode": If the sensor is covered for more than 90 sec. the mixer or tap will automatically shut off water flow. To return to normal operation remove any blockage.

\*\* In this case, the water flow will stop anyway after 90 seconds because of the security time.