

PLUMBERS INSTALLATION INSTRUCTIONS

Important Information

- * **Brazed connections should NOT be made directly onto the mixer, as excessive heat will cause permanent damage.**
- * **All pipework must be thoroughly flushed prior to installation.**

Installation (Fig. 1 & 2)

- 1) Fit mixer body (9) onto a suitable mounting plate or noggin in the wall and secure using screws through the holes in its base. When facing the mixer, the connections should be as follows :
Hot water inlet connection 'H' to the left.
Cold water inlet connection 'C' to the right.
Mixed water outlet connection, vertically upwards.
Check all connections for leaks and the tap for correct operation.

Important :

- * Mixer body (9) must be installed square to wall/tile face, to ensure cover plate (5) sits flush.
- * To avoid damaging the decorative finish, do not remove the plastic protective sleeve until installation has been completed.

- 2) Apply a suitable clear sealant to the back face of the cover plate (5), leaving an unsealed section at the bottom for drainage. Carefully fit the cover plate (5) onto the mixer body (9), ensuring the 'Caroma' logo is at the bottom. Push the cover plate (5) firmly against the wall/tile face. Wipe clean any excess sealant from the chrome surfaces & the wall/tile face (See Fig. 1).
- 3) Fit handle (1) taking care that it is pushed fully onto cartridge stem, then tighten grub screw (2) using the 2.5mm allen key (3). Fit plug (4), taking care not to damage the decorative finish.
- 4) Turn on Hot and Cold water supplies and check operation.

Replacing Cartridge (Fig. 2)

- 1) Turn off hot and cold water supplies.
- 2) Carefully remove plug (2) before using a 2.5mm allen key (3) to loosen grub screw (4) and remove handle (1). Remove cap (6) taking care not to damage the decorative finish. Unscrew nut (7) then lift out old cartridge (8).
- 3) Ensure inside face of mixer body (9) is clean. Check that seal is in position in base of new cartridge (8). Fit new cartridge (8) into mixer body (9), taking care that two lugs on base of cartridge (8) fit into mating holes in mixer body (9).
- 4) Screw on nut (7). **Important:-** Nut (7) should be tightened to a torque of 10 Nm.
- 5) Fit handle (1) taking care that it is pushed fully onto cartridge stem, then tighten grub screw (4) using the 2.5mm allen key (3). Replace plug (2), taking care not to damage the decorative finish.
- 6) Turn on water supplies and check operation.

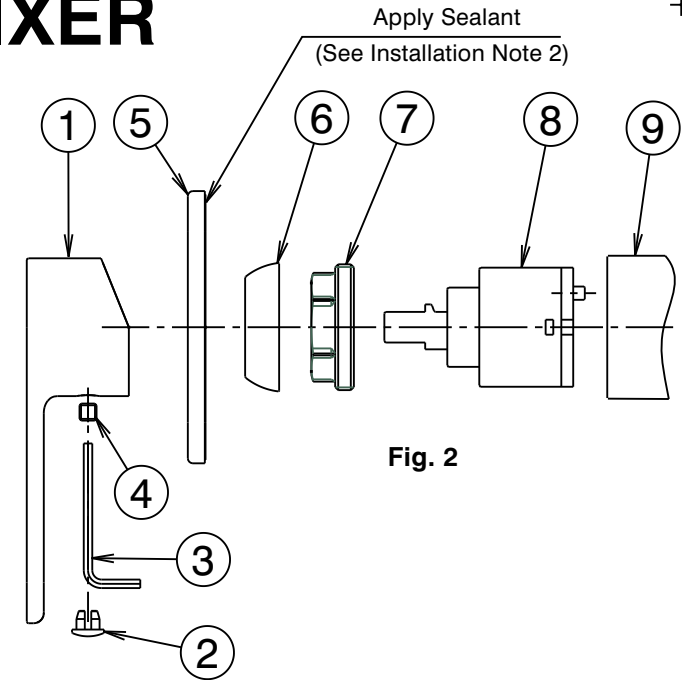


Fig. 2

IMPORTANT	
<u>Pressure & Temperature Requirements.</u>	
•	Hot and cold water inlet pressures should be equal.
•	Static inlet pressure range : 150 -1000 kPa New Regulation :-500 kPa maximum static pressure at any outlet within a building. (Ref. AS/NZS 3500.1)
•	Maximum hot water temperature : 80°C.
<u>Installation Requirements.</u>	
•	The installing plumber is responsible for waterproofing all penetrations for Taps in Shower areas at installation by a proprietary flange system or a sealant. (Ref AS3740)

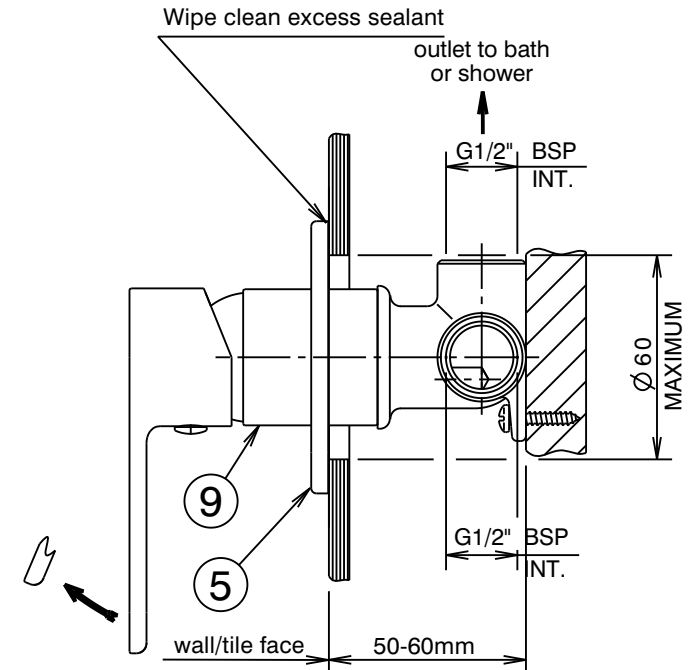


Fig. 1