

Angelique Inset Bath

Product Code: AN1295W / AN1465W

 MADE IN AUSTRALIA



The Angelique's timeless design features generous depth & additional features such as arm rests & ergonomic lumbar support that set the benchmark in corner bath design.

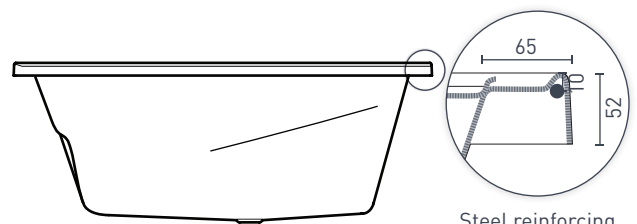
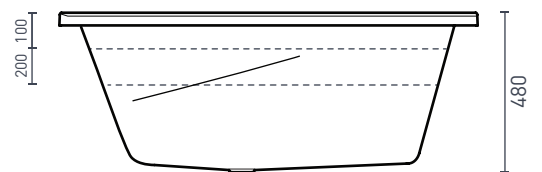
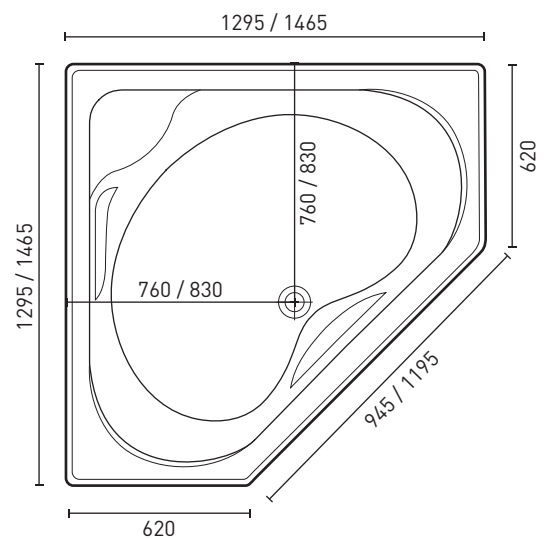
- AS/NZ Standard 2023/1995
- Steel rod reinforced rim
- Double reinforced bath base
- Suitable for dual bathing
- Moulded armrests
- Lumbar support

PRODUCT SPECIFICATIONS

Colour:	High Gloss White
Material:	Premium Sanitary grade acrylic
Length:	1295mm / 1465mm
Width:	1295mm / 1465mm
Height:	480mm
Capacity:	179L / 259L [200mm below the bath rim]
Bath Type:	Inset
Waste Position:	Centre
Net Weight:	20.3kg / 24.5kg
Warranty:	15 years* (refer to decina.com.au)

OPTIONAL ACCESSORIES

- 40mm Removable pop-up waste *Chrome* **WA001**
White Gloss **WA002**, *Black Matte* **WA003**
- Pop-up waste & overflow kit *Chrome* **OWA001**
- Pop-down waste & overflow kit *Chrome* **OWA002**
- Pop-down waste & overflow kit *Black* **OWA003**
- Sia headrest *Black Curved* **SY242-B**
- Corner base support **TAP004**



Steel reinforcing bar in rim

DECINA
DISCOVER INDULGENCE

[DECINA.COM.AU](https://decina.com.au) 1300 DECINA   

*Warranty T&Cs apply, visit decina.com.au Decina reserves the right to change specifications without notice. Due to manufacturing tolerances dimensions may vary +/- 5mm. We recommend installation does not start until after delivery. Please confirm all particulars prior to purchase, call 1300 DECINA or visit decina.com.au