

Adatto Inset Bath with tile bead

Product Code: **AD1510W / AD1650W**



MADE IN AUSTRALIA

The Adatto's smooth features & extra depth allows the bather to fully recline into the water. Arm rests sweep around from the shoulder position to provide comfort & a lumbar support cradles the back.

- AS/NZ Standard 2023/1995
- Steel rod reinforced rim
- Double reinforced bath base

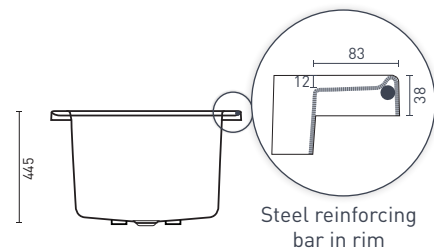
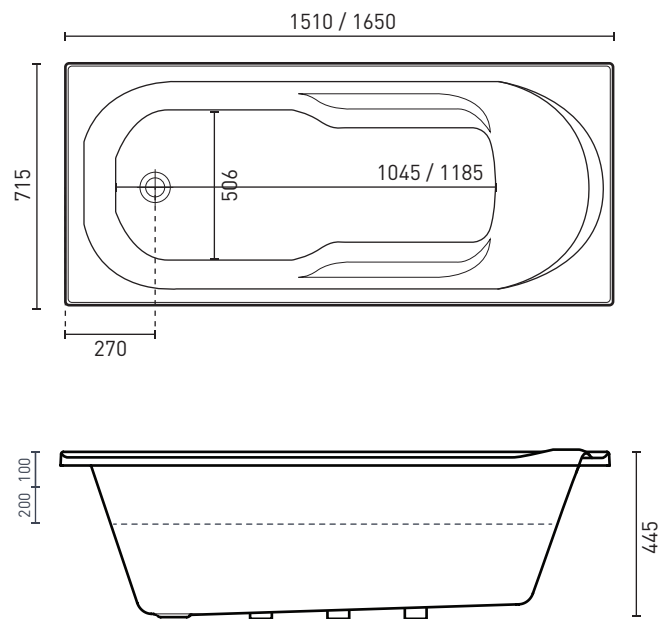


PRODUCT SPECIFICATIONS

Colour:	High Gloss White
Material:	Premium Sanitary grade acrylic
Length:	1510mm / 1650mm
Width:	715mm
Height:	445mm
Capacity:	106L / 122L [200mm below the bath rim]
Bath Type:	Inset
Waste Position:	End
Net Weight:	16kg / 17.2kg
Warranty:	15 years* (refer to decina.com.au)

OPTIONAL ACCESSORIES

- 40mm Removable pop-up waste *Chrome* **WA001**
White Gloss **WA002**, *Black Matte* **WA003**
- Pop-up waste & overflow kit *Chrome* **OWA001**
- Pop-down waste & overflow kit *Chrome* **OWA002**
- Pop-down waste & overflow kit *Black* **OWA003**
- Sia headrest *Black Curved* **SY242-B**
- EZI Frame / Base Support Frame **Various**
- EZI Feet (1665mm & 1650mm) **EZF005**



DECINA
DISCOVER INDULGENCE

DECINA.COM.AU 1300 DECINA

*Warranty T&Cs apply, visit decina.com.au Decina reserves the right to change specifications without notice. Due to manufacturing tolerances dimensions may vary +/- 5mm. We recommend installation does not start until after delivery. Please confirm all particulars prior to purchase, call 1300 DECINA or visit decina.com.au