

# Modena Inset Bath with tile bead



Product Code: **M01210W / M01510W / M01650W / M01800W**

**MADE IN AUSTRALIA**

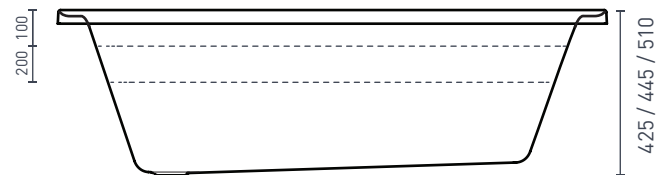
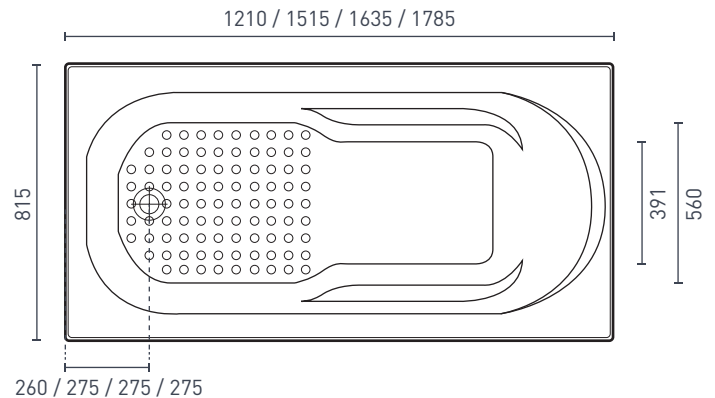
The Modena's increased width & depth makes it larger than many traditional shower baths. Additionally this bath has a slip resistant pattern that provides greater safety when entering & exiting the bath.

- AS/NZ Standard 2023/1995
- Steel rod reinforced rim
- Double reinforced bath base
- Slip resistant pattern
- Moulded arm rests



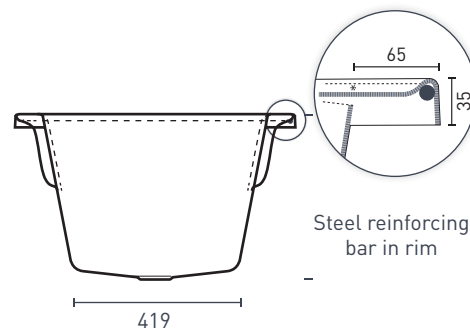
## PRODUCT SPECIFICATIONS

<b>Colour:</b>	High Gloss White
<b>Material:</b>	Premium Sanitary grade acrylic
<b>Length:</b>	1210mm / 1515mm / 1635mm / 1785mm
<b>Width:</b>	815mm
<b>Height:</b>	425mm / 445mm / 510mm
<b>Capacity:</b>	76L / 124L / 159L / 194L [200mm below the bath rim]
<b>Bath Type:</b>	Inset
<b>Waste Position:</b>	End
<b>Net Weight:</b>	15.1kg / 19.3kg / 22.6kg / 25kg
<b>Warranty:</b>	15 years* (refer to decina.com.au)



## OPTIONAL ACCESSORIES

- 40mm Removable pop-up waste *Chrome* **WA001**, *White Gloss* **WA002**, *Black Matte* **WA003**
- Pop-up waste & overflow kit *Chrome* **OWA001**
- Pop-down waste & overflow kit *Chrome* **OWA002**
- Pop-down waste & overflow kit *Black* **OWA003**
- Sia Black Headrest **SY242-B**
- EZI Frame / Base Support Frame **Various**



**DECINA**  
DISCOVER INDULGENCE

**DECINA.COM.AU** 1300 DECINA

\*Warranty T&Cs apply, visit [decina.com.au](http://decina.com.au) Decina reserves the right to change specifications without notice. Due to manufacturing tolerances dimensions may vary +/- 5mm. We recommend installation does not start until after delivery. Please confirm all particulars prior to purchase, call 1300 DECINA or visit [decina.com.au](http://decina.com.au)