

Adatto Inset Spa Bath with tile bead

 MADE IN AUSTRALIA



SPA BATH SHELL



PUMP, JETS
& FITTINGS

The Adatto's smooth features & extra depth allows the bather to fully recline into the water. Arm rests sweep around from the shoulder position to provide comfort & a lumbar support cradles the back.

- AS/NZ Standard 3861: 1991
- Steel rod reinforced rim
- Double reinforced bath base

PRODUCT SPECIFICATIONS

Colour:	High Gloss White
Material:	Premium sanitary grade acrylic
Length:	1510mm / 1650mm
Width:	715mm
Height:	445mm
Capacity:	106L / 122L [200mm below the bath rim]
Bath Type:	Inset
Waste Position:	End
Warranty:	*10 years [spa bath shell] *5 years [pump, jets & fittings]

ADATTO SANTAI SPA BATH ● 12 JETS

SIZE (l) x (w) x (d) mm	CAPACITY*	NET WEIGHT	CODE
1510 x 715 x 445	106L	31kg	AD1510SAN10JW
1650 x 715 x 445	122L	32.5kg	AD1650SAN10JW

- 6 x low profile Mod centro jets
- 4 x low profile Mod mini jets
- 1 x low profile Mod suction
- 1 x Mod power button (rim mounted)
- 2 x Mod air controls (rim mounted)
- 750 watt auto heat boost pump



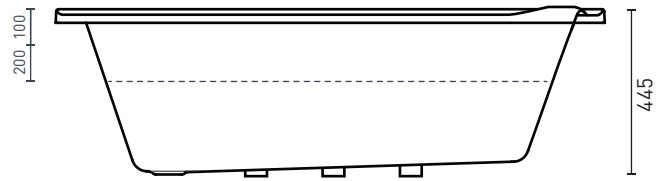
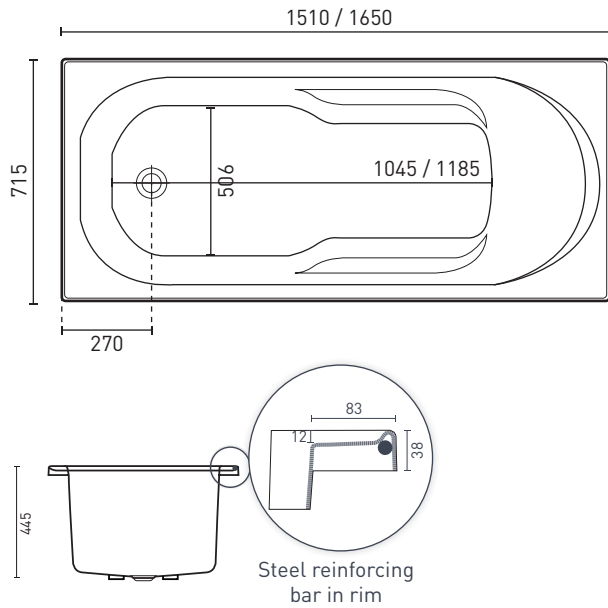
ADATTO CONTOUR SPA BATH ●● 12 JETS

SIZE (l) x (w) x (d) mm	CAPACITY*	NET WEIGHT	CODE
1510 x 715 x 445	106L	32kg	AD1510CNPAWC
1650 x 715 x 445	122L	33kg	AD1650CNPAWC

- 6 x flush C-Lenda™ centro jets
- 6 x flush C-Lenda™ mini jets
- 2 x flush C-Lenda™ air controls
- 1 x flush C-Lenda™ suction
- 1 x Sensa-Touch pad control (rim mounted)
- 750 watt 3-stage heat boost pump
- 1 x Sia black headrest



TECHNICAL DRAWINGS



OPTIONAL ACCESSORIES

- 40mm Removable pop-up waste *Chrome* **WA001**
White Gloss **WA002**, *Black Matte* **WA003**
- Pop-up waste & overflow kit *Chrome* **OWA001**
- Pop-down waste & overflow kit *Chrome* **OWA002**
- Pop-down waste & overflow kit *Black* **OWA003**
- Sia headrest *Black Curved* **SY242-B**
- EZI Frame / Base Support Frame **Various**
- EZI Feet (1665mm & 1650mm) **EZF005**

SPA BATH ORDER FORM

Spa baths are made to order on receipt of the order form & are non-refundable. Whilst we aim for 15-20 working days for completion & dispatch, please contact Decina for current lead times. We recommend filling out your spa bath order form with your qualified tradesperson.

COMPANY & BRANCH: _____ **PHONE NO:** _____

CONTACT: _____ **ORDER NO:** _____ **DATE:** _____

MODEL: _____ **SIZE:** _____ **QTY:** _____ **RANGE** SANTAI CONTOUR

SPA PUMP NOTES

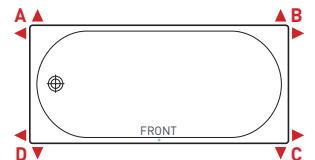
- The spa pump does not fit directly in the baths perimeter (*allow 100mm*)
- The spa pump must be easily accessible for maintenance
- Waste positions can not be changed
- The spa pump controls will always be at the front, unless indicated below
- We recommend spa pumps installed outside are fitted with a Spa Pump Cover EDG119 (optional extra)
- We recommend spa pumps installed inside are fitted with a Drain Tray EDG140 (optional extra)

Please refer to the technical drawings before choosing your spa pump position, as spa bath waste & pump positions CANNOT be customised

1. CIRCLE YOUR PUMP POSITION A / B / C / D ON THE DIAGRAM

2. CROSS (X) YOUR SHOWER HEAD POSITION ON THE DIAGRAM (if applicable)

Spa pump controls can not be on the same end as the shower.



CUSTOMER NAME: _____ **CUSTOMER SIGNATURE:** _____

CUSTOMER EMAIL: _____ **CUSTOMER PHONE NO:** _____

*Whilst every effort is made to adhere to published jet & fittings positions, variation to specifications may occur without notice.