

Carina Island Spa Bath

 MADE IN AUSTRALIA



SPA BATH SHELL



PUMP, JETS & FITTINGS

The Carina's planes have been angled to maximize bath space, reclining comfort & function. Its island style allows it to be set away from adjoining walls allowing the viewer to truly appreciate its simple elegance.

- AS/NZ Standard AS3861/1991
- Steel rod reinforced rim
- Double reinforced bath base
- Suitable for dual bathing

PRODUCT SPECIFICATIONS

- Colour:** High Gloss White
- Material:** Premium Sanitary grade acrylic
- Length:** 1525mm / 1675mm / 1750mm
- Width:** 765mm / 765mm / 805mm
- Height:** 440mm / 440mm / 480mm
- Capacity:** 147L / 166L / 182L
[200mm below the bath rim]
- Bath Type:** Island
- Waste Position:** Centre
- Warranty:** *10 years spa shell, *5 years pump, jets, fittings (*refer to decina.com.au)

CARINA SANTAI SPA BATH ●● 12 JETS

SIZE (l) x (w) x (d) mm	CAPACITY*	NET WEIGHT	CODE
1525 x 765 x 440	147L	34kg	CA1525SAN12JW
1675 x 765 x 440	166L	37kg	CA1675SAN12JW
1750 x 805 x 480	182L	45kg	CA1750SAN12JW

- 6 x low profile Mod centro jets
- 6 x low profile Mod mini jets
- 1 x low profile Mod suction
- 1 x Mod power button (rim mounted)
- 2 x Mod air controls (rim mounted)
- 750 watt auto heat boost pump



CARINA CONTOUR SPA BATH ●●● 14 JETS

SIZE (l) x (w) x (d) mm	CAPACITY*	NET WEIGHT	CODE
1525 x 765 x 440	147L	34kg	CA1525CNSPAWC
1675 x 765 x 440	166L	37kg	CA1675CNSPAWC
1750 x 805 x 480	182L	45kg	CA1750CNSPAWC

- 6 x flush C-Lenda™ centro jets
- 8 x flush C-Lenda™ mini jets
- 2 x flush C-Lenda™ air controls
- 1 x flush C-Lenda™ suction
- 1 x Sensa-Touch pad control (rim mounted)
- 750 watt 3-stage heat boost pump
- 2 x Fiore black headrests



CARINA DOLCE VITA SPA BATH ●●●● 18 JETS

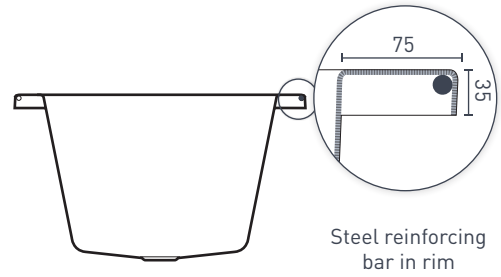
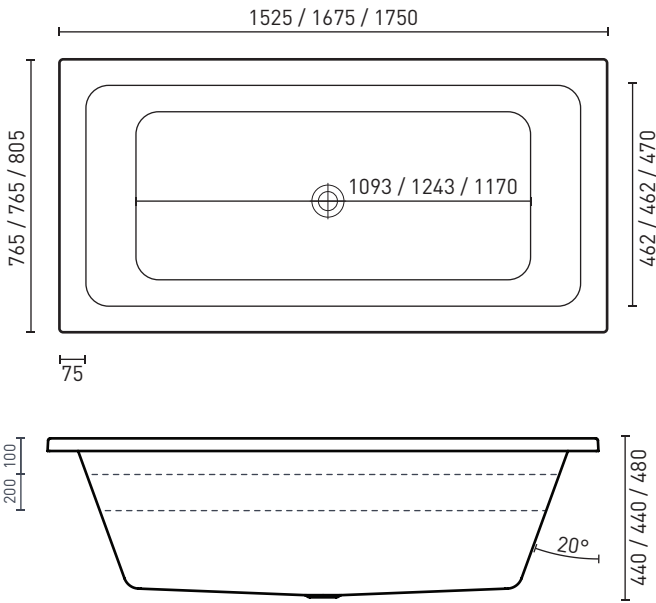
SIZE (l) x (w) x (d) mm	CAPACITY*	NET WEIGHT	CODE
1675 x 765 x 440	166L	57kg	CA1675DVSPAWC
1750 x 805 x 480	182L	65kg	CA1750DVSPAWC

- 6 x adjustable flush C-Lenda™ centro jets
- 12 x adjustable flush C-Lenda™ mini jets
- 2 x flush C-Lenda™ air controls
- 1 x flush C-Lenda™ suction
- Spa Key remote control
- 1100 watt spa key heat boost pump
- 2 x Fiore black headrests



Available with Chrome, White or Black jets   

TECHNICAL DRAWINGS



OPTIONAL ACCESSORIES

- 40mm Removable pop-up waste *Chrome* **WA001**
White Gloss **WA002**, *Black Matte* **WA003**
- Pop-up waste & overflow kit *Chrome* **OWA001**
- Pop-down waste & overflow kit *Chrome* **OWA002**
- Pop-down waste & overflow kit *Black* **OWA003**
- Fiore Black Headrest **SY242-A-B**
(2 included with Contour & Dolce Vita spas)
- EZI Frame / Base Support Frame **Various**

SPA BATH ORDER FORM

Spa baths are made to order on receipt of the order form & are non-refundable. Whilst we aim for 15-20 working days for completion & dispatch, please contact Decina for current lead times. We recommend filling out your spa bath order form with your qualified tradesperson.

COMPANY & BRANCH: _____ **PHONE NO:** _____

CONTACT: _____ **ORDER NO:** _____ **DATE:** _____

MODEL: _____ **SIZE:** _____ **QTY:** _____ **RANGE** SANTAI CONTOUR DOLCE VITA

JET COLOUR (DOLCE VITA ONLY)

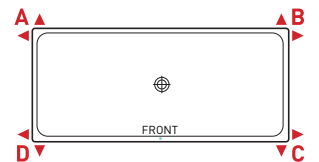
(NO additional cost) Chrome White Black

SPA PUMP NOTES

- The spa pump does not fit directly in the baths perimeter (allow 100mm)
- The spa pump must be easily accessible for maintenance
- Waste positions can not be changed
- The spa pump controls will always be at the front, unless indicated below
- We recommend spa pumps installed outside are fitted with a Spa Pump Cover EDG119 (optional extra)
- We recommend spa pumps installed inside are fitted with a Drain Tray EDG140 (optional extra)

Please refer to the technical drawings before choosing your spa pump position, as spa bath waste & pump positions CANNOT be customised

1. CIRCLE YOUR PUMP POSITION A / B / C / D ON THE DIAGRAM



CUSTOMER NAME: _____ **CUSTOMER SIGNATURE:** _____

CUSTOMER EMAIL: _____ **CUSTOMER PHONE NO:** _____

*Whilst every effort is made to adhere to published jet & fittings positions, variation to specifications may occur without notice.

DECINA
DISCOVER INDULGENCE

DECINA.COM.AU 1300 DECINA

*Warranty T&Cs apply, visit decina.com.au Decina reserves the right to change specifications without notice. Due to manufacturing tolerances dimensions may vary +/- 5mm. We recommend installation does not start until after delivery. Please confirm all particulars prior to purchase, call 1300 DECINA or visit decina.com.au