

# Turin Inset Spa Bath with tile bead

 MADE IN AUSTRALIA



SPA BATH SHELL



PUMP, JETS  
& FITTINGS

The Turin's elegant, simple lines create the perfect balance of form & function. Additionally this bath base has been reinforced with a resin & fiberglass coating for superior sturdiness & durability.

- AS/NZ Standard AS3861/1991
- Steel rod reinforced rim
- Double reinforced bath base

## PRODUCT SPECIFICATIONS

<b>Colour:</b>	High gloss white
<b>Material:</b>	Premium sanitary grade acrylic
<b>Length:</b>	1520mm / 1665mm / 1790mm
<b>Width:</b>	755mm
<b>Height:</b>	445mm / 445mm / 485mm
<b>Capacity:</b>	121L / 138L / 153L [200mm below the bath rim]
<b>Bath Type:</b>	Inset
<b>Waste Position:</b>	End
<b>Warranty:</b>	*10 years spa shell, *5 years pump, jets, fittings (*refer to decina.com.au)

### TURIN SANTAI SPA BATH ● 10 JETS

SIZE (l) x (w) x (d) mm	CAPACITY*	NET WEIGHT	CODE
1520 x 755 x 445	121L	34kg	<b>TU1520SAN10JW</b>
1665 x 755 x 445	138L	36kg	<b>TU1665SAN10JW</b>
1790 x 755 x 485	153L	39kg	<b>TU1790SAN10JW</b>

- 6 x low profile Mod centro jets
- 4 x low profile Mod mini jets
- 1 x low profile Mod suction
- 1 x Mod power button (rim mounted)
- 2 x Mod air controls (rim mounted)
- 750 watt auto heat boost pump



### TURIN CONTOUR SPA BATH ●● 12 JETS

SIZE (l) x (w) x (d) mm	CAPACITY*	NET WEIGHT	CODE
1520 x 755 x 445	121L	34kg	<b>TU1520CNPAWC</b>
1665 x 755 x 445	138L	36kg	<b>TU1665CNPAWC</b>
1790 x 755 x 485	153L	39kg	<b>TU1790CNPAWC</b>

- 6 x flush C-Lenda™ centro jets
- 6 x flush C-Lenda™ mini jets
- 2 x flush C-Lenda™ air controls
- 1 x flush C-Lenda™ suction
- 1 x Sensa-Touch pad control (rim mounted)
- 750 watt 3-stage heat boost pump
- 1 x Sia black headrest



### TURIN DOLCE VITA SPA BATH ●●● 16 JETS

SIZE (l) x (w) x (d) mm	CAPACITY*	NET WEIGHT	CODE
1665 x 755 x 445	138L	66kg	<b>TU1675DVSPAWC</b>
1790 x 755 x 485	153L	69kg	<b>TU1790DVSPAWC</b>

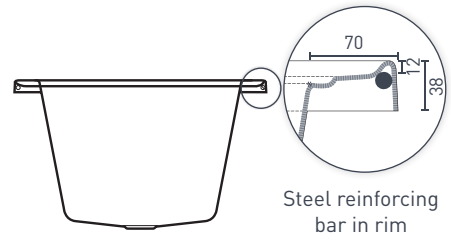
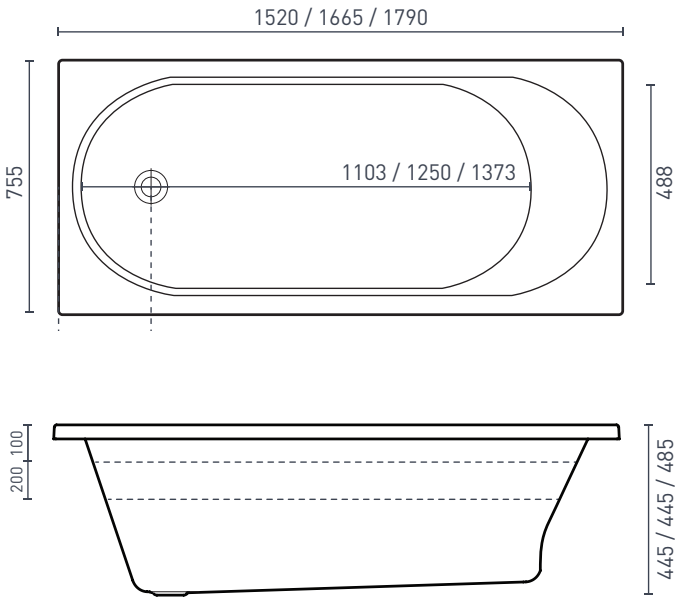
- 6 x adjustable flush C-Lenda™ centro jets
- 10 x adjustable flush C-Lenda™ mini jets
- 2 x flush C-Lenda™ air controls
- 1 x flush C-Lenda™ suction
- Spa Key remote control
- 1100 watt spa key heat boost pump
- 1 x Sia black headrest



Available with Chrome, White or Black jets



## TECHNICAL DRAWINGS



### OPTIONAL ACCESSORIES

- 40mm Removable pop-up waste *Chrome* **WA001**, *White Gloss* **WA002**, *Black Matte* **WA003**
- Pop-up waste & overflow kit *Chrome* **OWA001**
- Pop-down waste & overflow kit *Chrome* **OWA002**
- Pop-down waste & overflow kit *Black* **OWA003**
- Sia Headrest *Black* **SY242-B** [1x headrest included with Contour & Dolce Vita spa]
- EZI Frame / Base Support Frame **Various**

## SPA BATH ORDER FORM

Spa baths are made to order on receipt of the order form & are non-refundable. Whilst we aim for 15-20 working days for completion & dispatch, please contact Decina for current lead times. We recommend filling out your spa bath order form with your qualified tradesperson.

**COMPANY & BRANCH:** \_\_\_\_\_ **PHONENO:** \_\_\_\_\_

**CONTACT:** \_\_\_\_\_ **ORDER NO.:** \_\_\_\_\_ **DATE:** \_\_\_\_\_

**MODEL:** \_\_\_\_\_ **SIZE:** \_\_\_\_\_ **QTY:** \_\_\_\_\_ **RANGE** SANTAI  CONTOUR  DOLCE VITA

### JET COLOUR DOLCE VITA ONLY

(NO additional cost) Chrome  White  Black

### SPA PUMP NOTES

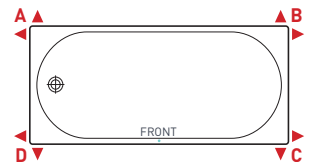
- The spa pump does not fit directly in the baths perimeter (allow 100mm)
- The spa pump must be easily accessible for maintenance
- Waste positions can not be changed
- The spa pump controls will always be at the front, unless indicated below
- We recommend spa pumps installed outside are fitted with a Spa Pump Cover **EDG119** (optional extra)
- We recommend spa pumps installed inside are fitted with a Drain Tray **EDG140** (optional extra)

**Please refer to the technical drawings before choosing your spa pump position, as spa bath waste & pump positions CANNOT be customised**

**1. CIRCLE YOUR PUMP POSITION A / B / C / D ON THE DIAGRAM**

**2. CROSS (X) YOUR SHOWER HEAD POSITION ON THE DIAGRAM (if applicable)**

Spa pump controls can not be on the same end as the shower.



**CUSTOMER NAME:** \_\_\_\_\_ **CUSTOMER SIGNATURE:** \_\_\_\_\_

**CUSTOMER EMAIL:** \_\_\_\_\_ **CUSTOMER PHONE NO.:** \_\_\_\_\_

\*Whilst every effort is made to adhere to published jet & fittings positions, variation to specifications may occur without notice.

**DECINA**  
DISCOVER INDULGENCE

DECINA.COM.AU 1300 DECINA

\*Warranty T&Cs apply, visit [decina.com.au](http://decina.com.au) Decina reserves the right to change specifications without notice. Due to manufacturing tolerances dimensions may vary +/- 5mm. We recommend installation does not start until after delivery. Please confirm all particulars prior to purchase, call 1300 DECINA or visit [decina.com.au](http://decina.com.au)