

# Giorgia Inset or Island Bath with tile bead



Product Code: **GI1500M / GI1700M**

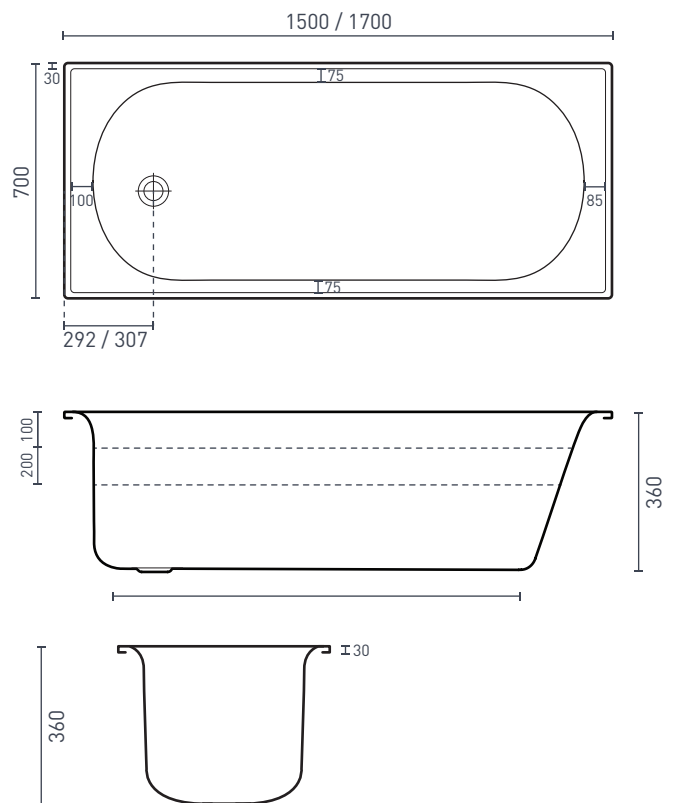
The Giorgia's enamel steel fabrication is a stylish & durable alternative to acrylic. This versatile, bath has been designed for either an island or inset installation.

- AS/NZ Standard 2023/1995
- Tile bead strip included
- Non-porous 1.5mm enamel
- Lumbar support



## PRODUCT SPECIFICATIONS

Colour:	High Gloss White
Material:	Premium pressed metal
Length:	1500mm / 1700mm
Width:	700mm
Height:	360mm
Capacity:	65L / 75L [200mm below the bath rim]
Bath Type:	Inset or Island
Waste Position:	End
Waste:	40mm [not included]
Overflow:	Not available
Net Weight:	21kg / 24.2kg
Warranty:	5 years* (refer to <a href="https://decina.com.au">decina.com.au</a> )



## OPTIONAL ACCESSORIES

- 40mm Removable pop-up waste *Chrome* **WA001**, *White Gloss* **WA002**, *Black Matte* **WA003**
- Fiore headrest *Black Straight* **SY242-A-B**

**DECINA**  
DISCOVER INDULGENCE

[DECINA.COM.AU](https://decina.com.au) 1300 DECINA

\*Warranty T&Cs apply, visit [decina.com.au](https://decina.com.au) Decina reserves the right to change specifications without notice. Due to manufacturing tolerances dimensions may vary +/- 5mm. We recommend installation does not start until after delivery. Please confirm all particulars prior to purchase, call 1300 DECINA or visit [decina.com.au](https://decina.com.au)