

# Uno Island Spa Bath

 MADE IN AUSTRALIA



SPA BATH SHELL



PUMP, JETS  
& FITTINGS

The Uno's combined depth & simple lines blend beautifully into any bathroom style. This bath features ergonomically shaped lumbar support to cradle the back & steep sides for maximum internal space, comfort & water efficiency.

- AS/NZ Standard AS3861/1991
- Steel rod reinforced rim
- Double reinforced bath base
- Lumbar support

## PRODUCT SPECIFICATIONS

<b>Colour:</b>	High Gloss White
<b>Material:</b>	Premium Sanitary grade acrylic
<b>Length:</b>	1530mm / 1700mm
<b>Width:</b>	750mm
<b>Height:</b>	480mm / 490mm
<b>Capacity:</b>	140L / 168L [200mm below the bath rim]
<b>Bath Type:</b>	Island
<b>Waste Position:</b>	End
<b>Warranty:</b>	10 years* spa shell, 5 years pump*, jets, fittings (*refer to decina.com.au)

### UNO SANTAI SPA BATH ● 10 JETS

SIZE (l) x (w) x (d) mm	CAPACITY*	NET WEIGHT	CODE
1530 x 750 x 480	140L	36kg	<b>UN1530SAN10JW</b>
1700 x 750 x 490	168L	39kg	<b>UN1700SAN10JW</b>

- 6 x low profile Mod centro jets
- 4 x low profile Mod mini jets
- 1 x low profile Mod suction
- 1 x Mod power button (rim mounted)
- 2 x Mod air controls (rim mounted)
- 750 watt auto heat boost pump



### UNO CONTOUR SPA BATH ●● 12 JETS

SIZE (l) x (w) x (d) mm	CAPACITY*	NET WEIGHT	CODE
1530 x 750 x 480	140L	36kg	<b>UN1530CNPAWC</b>
1700 x 750 x 490	168L	39kg	<b>UN1700CNPAWC</b>

- 6 x flush C-Lenda™ centro jets
- 6 x flush C-Lenda™ mini jets
- 2 x flush C-Lenda™ air controls
- 1 x flush C-Lenda™ suction
- 1 x Sensa-Touch pad control (rim mounted)
- 750 watt 3-stage heat boost pump
- 1 x Sia black headrest



### UNO DOLCE VITA SPA BATH ●●● 16 JETS

SIZE (l) x (w) x (d) mm	CAPACITY*	NET WEIGHT	CODE
1700 x 750 x 490	168L	69kg	<b>UN1700DVSPAWC</b>

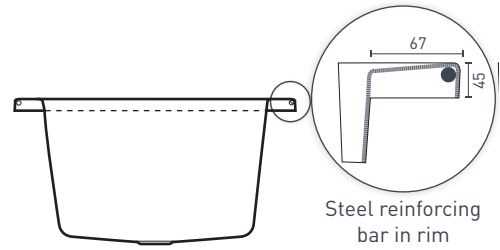
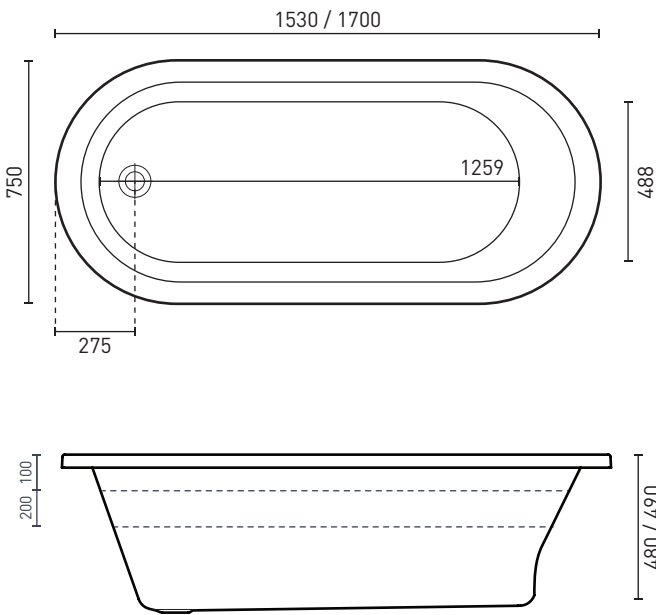
- 6 x adjustable flush C-Lenda™ centro jets
- 10 x adjustable flush C-Lenda™ mini jets
- 2 x flush C-Lenda™ air controls
- 1 x flush C-Lenda™ suction
- Spa Key remote control
- 1100 watt spa key heat boost pump
- 1 x Sia black headrest



Available with Chrome, White or Black jets



## TECHNICAL DRAWINGS



Steel reinforcing bar in rim

### OPTIONAL ACCESSORIES

- 40mm Removable pop-up waste *Chrome* **WA001**, *White Gloss* **WA002**, *Black Matte* **WA003**
- Pop-up waste & overflow kit *Chrome* **OWA001**
- Pop-down waste & overflow kit *Chrome* **OWA002**
- Pop-down waste & overflow kit *Black* **OWA003**
- Sia Headrest *Black* **SY242-B**  
(1 x headrest included with Contour & Dolce vita spa)
- EZI Frame / Base Support Frame **Various**

## SPA BATH ORDER FORM

Spa baths are made to order on receipt of the order form & are non-refundable. Whilst we aim for 15-20 working days for completion & dispatch, please contact Decina for current lead times. We recommend filling out your spa bath order form with your qualified tradesperson.

**COMPANY & BRANCH:** \_\_\_\_\_ **PHONE NO:** \_\_\_\_\_

**CONTACT:** \_\_\_\_\_ **ORDER NO:** \_\_\_\_\_ **DATE:** \_\_\_\_\_

**MODEL:** \_\_\_\_\_ **SIZE:** \_\_\_\_\_ **QTY:** \_\_\_\_\_ **RANGE** SANTAI  CONTOUR  DOLCE VITA

### JET COLOUR DOLCE VITA ONLY

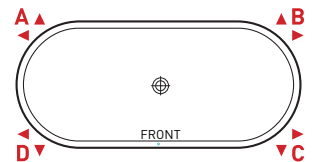
(NO additional cost) Chrome  White  Black

### SPA PUMP NOTES

- The spa pump does not fit directly in the baths perimeter (allow 100mm)
- The spa pump must be easily accessible for maintenance
- Waste positions can not be changed
- The spa pump controls will always be at the front, unless indicated below
- We recommend spa pumps installed outside are fitted with a Spa Pump Cover EDG119 (optional extra)
- We recommend spa pumps installed inside are fitted with a Drain Tray EDG140 (optional extra)

**Please refer to the technical drawings before choosing your spa pump position, as spa bath waste & pump positions CANNOT be customised**

### 1. CIRCLE YOUR PUMP POSITION A / B / C / D ON THE DIAGRAM



**CUSTOMER NAME:** \_\_\_\_\_ **CUSTOMER SIGNATURE:** \_\_\_\_\_

**CUSTOMER EMAIL:** \_\_\_\_\_ **CUSTOMER PHONE NO:** \_\_\_\_\_

\*Whilst every effort is made to adhere to published jet & fittings positions, variation to specifications may occur without notice.

**DECINA**  
DISCOVER INDULGENCE

DECINA.COM.AU 1300 DECINA

\*Warranty T&Cs apply, visit [decina.com.au](http://decina.com.au) Decina reserves the right to change specifications without notice. Due to manufacturing tolerances dimensions may vary +/- 5mm. We recommend installation does not start until after delivery. Please confirm all particulars prior to purchase, call 1300 DECINA or visit [decina.com.au](http://decina.com.au)