



EL TORO CROSS - SHOWER SET

WATER EFFICIENT TAPWARE

(NOMINAL FLOW RATE = 8 L/min)

PLUMBERS INSTALLATION INSTRUCTIONS

Important Information

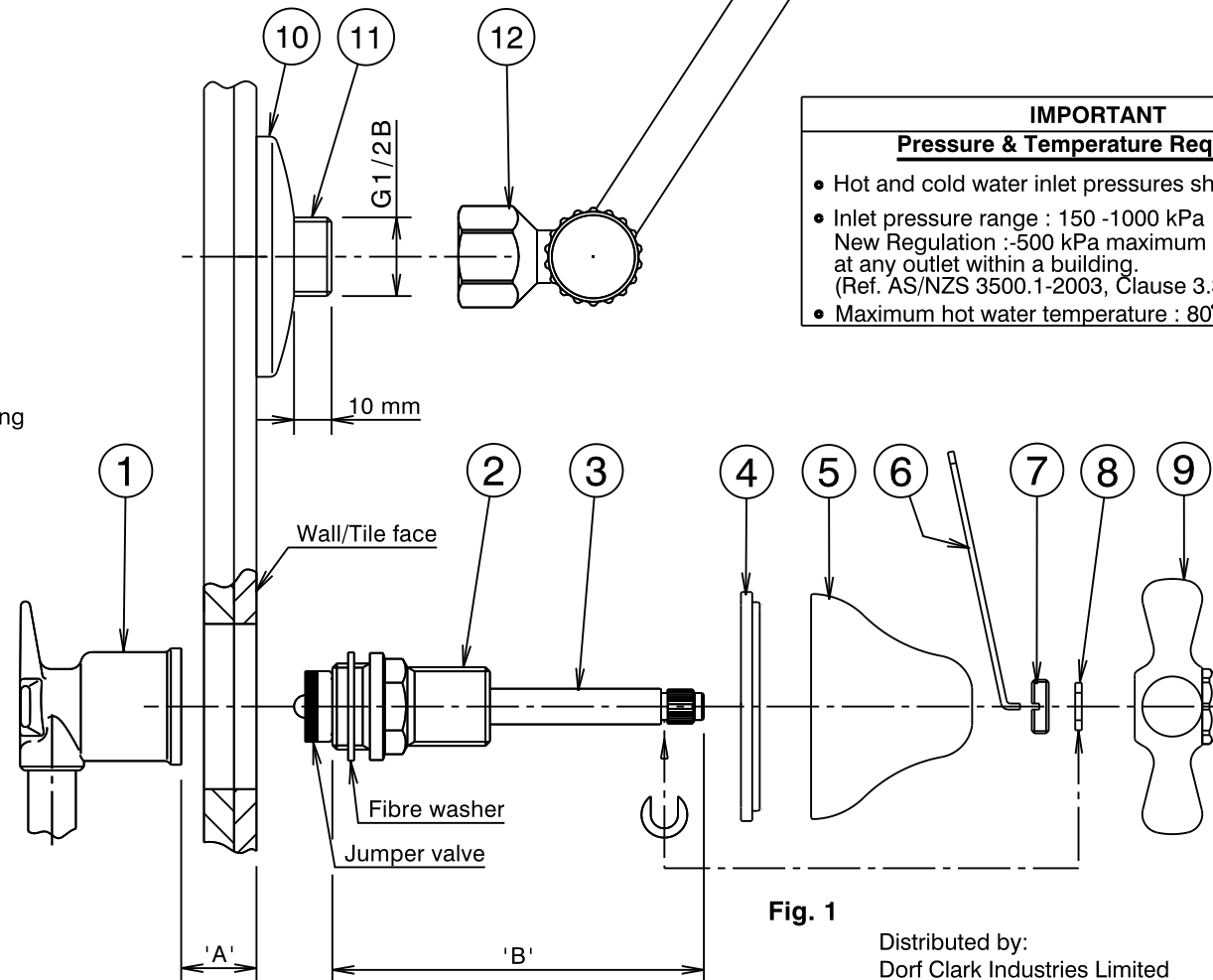
- * Shower outlet is fitted with an 9 L/min flow regulator.
- * Not suitable for gravity feed systems.
- * All pipework must be thoroughly flushed prior to installation, as foreign materials may block the flow regulating device and reduce the flow of water.

Installation

- 1) Check in-wall depth (dimension 'A' in Fig. 1) to ensure correct length spindle (3) has been selected (see Table 1).
- 2) Check seats in recess tap bodies (1) are in good condition and free of foreign materials. Reseat if required.
Important : All pipework must be thoroughly flushed prior to installation, to remove all foreign matter.
- 3) Fully open tap spindle (3) in tap head assembly (2). Ensure fibre washer and jumper valve are in position as shown.
- 4) Screw tap head assembly (2) into recess tap body (1) by hand and tighten using suitable tube spanner.
- 5) Fit dress ring (4) over tap head assembly (2). Screw on wall flange (5) and tighten fully by hand against wall/tile face taking care not to damage the decorative finish.
- 6) Fit handle assembly as follows:-
i) Turn both spindles to the fully off position.
ii) Place retaining nut (7) over spindle (3), with slot facing flange (5).
iii) Place retaining clip (8) into groove at bottom of spline in spindle (3).
iv) Fit handle (9) to spindle (3), position to suit. Push handle (9) firmly down until it bottoms internally.
v) Screw retaining nut (7) into handle and tighten using spanner (6) provided.
- 7) Check that threaded nipple (11) is the correct length, as shown. Cut to length if required ensuring end face is square. Apply thread tape to the thread.
Important : Care must be taken that thread tape cannot become dislodged and block the flow regulating device, causing a reduction in water flow.
- 8) Place the cover plate (10) over the threaded nipple (11). Screw the inlet socket (12) onto the threaded nipple (11) and position shower as required. DO NOT OVERTIGHTEN.

Table 1

Dimension 'A'	Tap Head Ass'y	Dimension 'B'
0 - 13mm	Standard Length	99mm
13 - 26mm	13mm Extended	112mm



IMPORTANT
Pressure & Temperature Requirements.

- Hot and cold water inlet pressures should be equal.
- Inlet pressure range : 150 -1000 kPa
New Regulation :-500 kPa maximum operating pressure at any outlet within a building.
(Ref. AS/NZS 3500.1-2003, Clause 3.3.4)
- Maximum hot water temperature : 80°C.

Fig. 1

Distributed by:
Dorf Clark Industries Limited
ABN 23 004 394 923

IS719A(11/05)